



OUTDOOR—COOKING

30"W. Premium T-Series & Ultra-Premium T-Series/E-Series Gas Grill



★ Please see Installation Notes and Accessories for important information, including fuel conversion kit, cart, and side burners.



VGBQ T-Series grills are Star-K certified for use on the Jewish Sabbath or Jewish holidays. (VGIQ grills are NOT Star-K certified.)

Dimensions & Specifications

PRODUCT DIMENSIONS



VGBQ030-2T
Premium T-Series
Two-Burner Grill



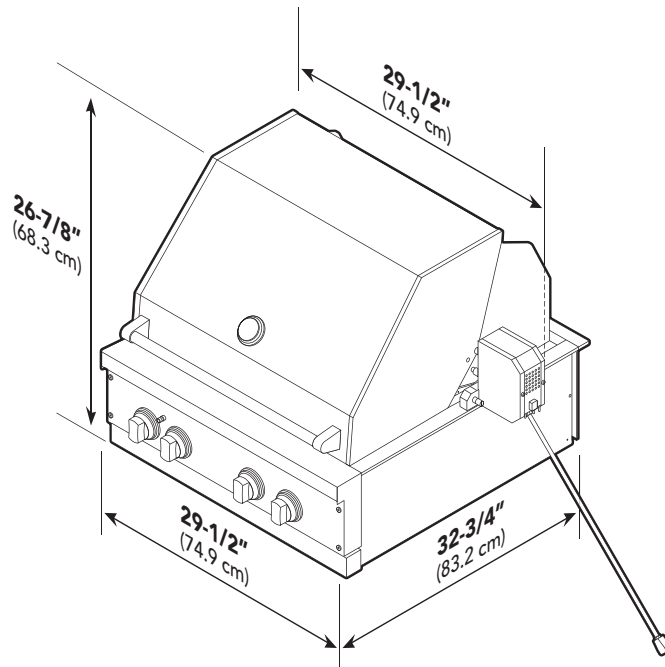
VGBQ300-2RT
Ultra-Premium T-Series
Two-Burner Grill



VGBQ300-2RE
Ultra-Premium E-Series
Two-Burner Grill



VGIQ300-2RT
Ultra-Premium T-Series
Two-Burner Grill
w/TruSear



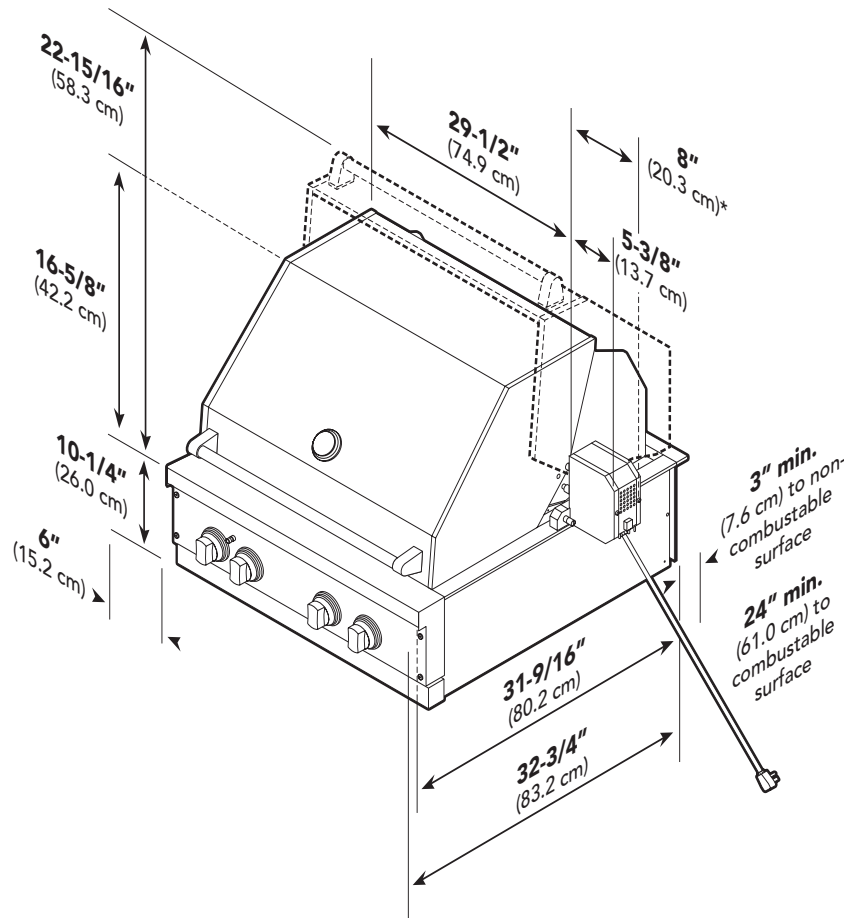
	VGBQ030-2T	VGBQ300-2RT/E	VGIQ300-2RT
Overall width		29-1/2" (74.9 cm)	
Overall height—hood closed		26-7/8" (68.3 cm)	
With hood fully open		33-3/16" (84.3 cm)	
Overall depth—from front of knobs		29-1/2" (74.9 cm)	
Approx. ship wt. lbs. (kg)		325 (147.5)	





Dimensions & Specifications

CLEARANCE DIMENSIONS & HOOD SWING



Minimum clearances from adjacent combustible construction

1. Maintain a min. of 6" (15.2 cm) from the sides, or a min. of 8" (20.3 cm) from the right side if there is a rotisserie motor, and a min. of 24" (61.0 cm) from the back above the cooking surface to adjacent vertical combustible construction. Do not place grill under unprotected combustible construction.
2. Maintain a min. of 3" (7.6 cm) clearance from the back of the grill with a canopy and a min. of 6" (15.2 cm) from the back of the grill without a canopy to non-combustible construction to allow the lid to open fully and for proper ventilation. (The grill exhausts combustion products and cooking greases to the back.)

Never place the grill where the exhaust is directed at a window, less than 2' (61.0 cm) to combustible material, or any surface that is difficult to clean. Allow at least 6" side clearance to non-combustible construction above the cooking surface for counter space. If using the rotisserie option, the space is essential for motor and skewer clearance. The grill can be placed directly adjacent to combustible and/or non-combustible construction below the cooking surface.

3. When determining a suitable location for the grill, take into account exposure to wind, proximity to traffic paths, and keeping gas supply lines as short as possible. Place the grill only in a well-ventilated area. Never place the

grill in a building, garage, breezeway, shed, or other fully enclosed areas. During heavy use, the grill will produce a lot of smoke; ensure you have adequate room for smoke to dissipate.

4. If using a rear wall, place the electrical service on the right-hand side for the rotisserie motor.

IMPORTANT: Gas fittings, regulator, and installer-supplied shut-off valve must be easily accessible.



OUTDOOR—COOKING

30"W. Premium T-Series & Ultra-Premium T-Series/E-Series Gas Grill



Installation Requirements

ACCESS REQUIREMENTS & SITE PREPARATION



VGBQ030-2T
Premium T-Series
Two-Burner Grill



VGBQ300-2RT
Ultra-Premium T-Series
Two-Burner Grill

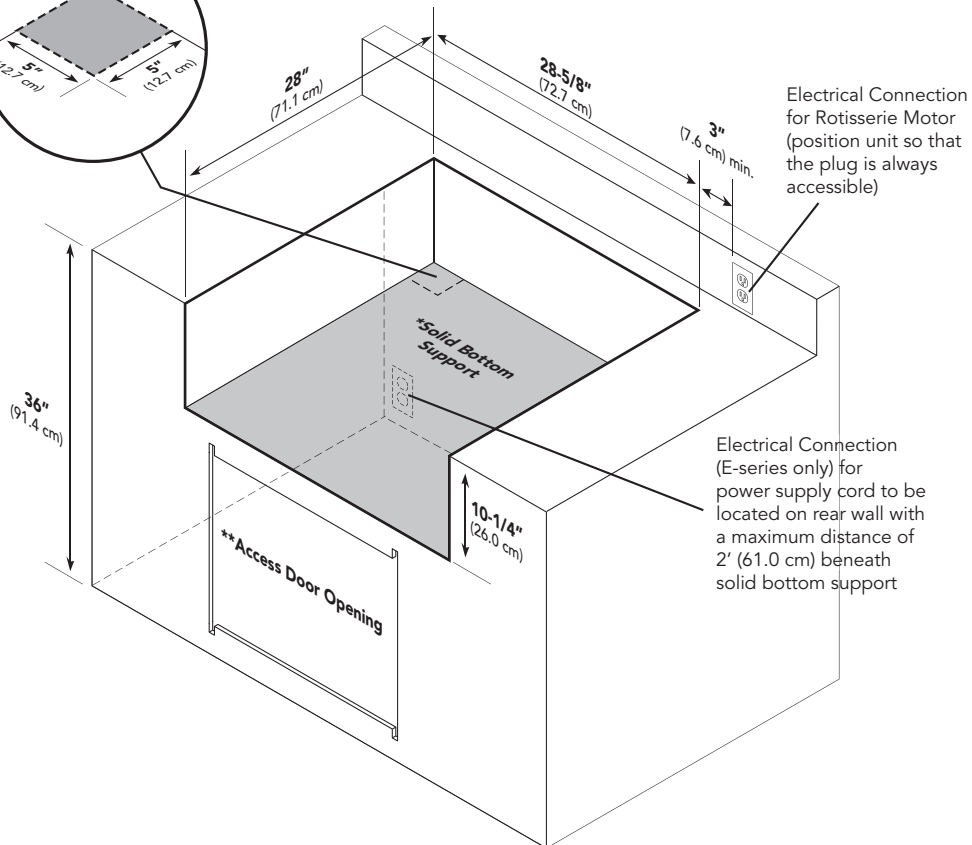
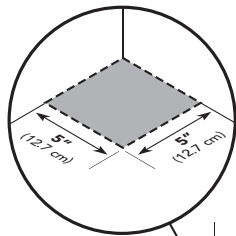


VGBQ300-2RE
Ultra-Premium E-Series
Two-Burner Grill



VGIQ300-2RT
Ultra-Premium T-Series
Two-Burner Grill w/TruSear

Gas Inlet and Power Cord
Location Area



Electrical Connection for Rotisserie Motor (position unit so that the plug is always accessible)

Electrical Connection (E-series only) for power supply cord to be located on rear wall with a maximum distance of 2' (61.0 cm) beneath solid bottom support

*Cabinet Cutout must have a solid bottom to support the full weight of the unit.

**Access Doors sold separately

All models	
Cutout width	28-5/8" (72.7 cm)
Cutout height	10-1/4" (26.0 cm)
Cutout depth	28" (71.1 cm)

