



OUTDOOR—COOKING

Premium/Ultra-Premium Grill Cart



★ Please see Installation Notes and Accessories for important information, including grills and protective covers.

Dimensions & Specifications

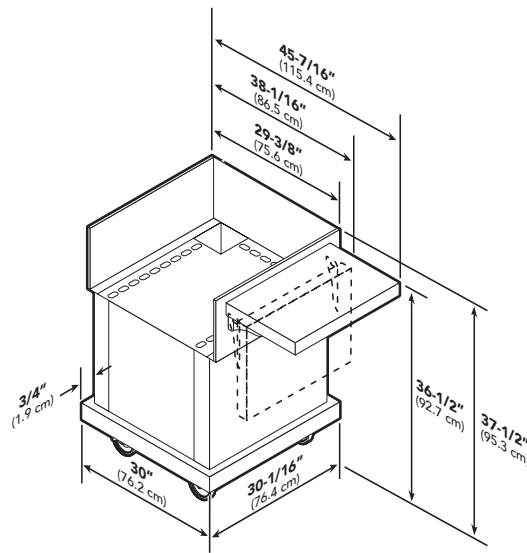
PRODUCT DIMENSIONS



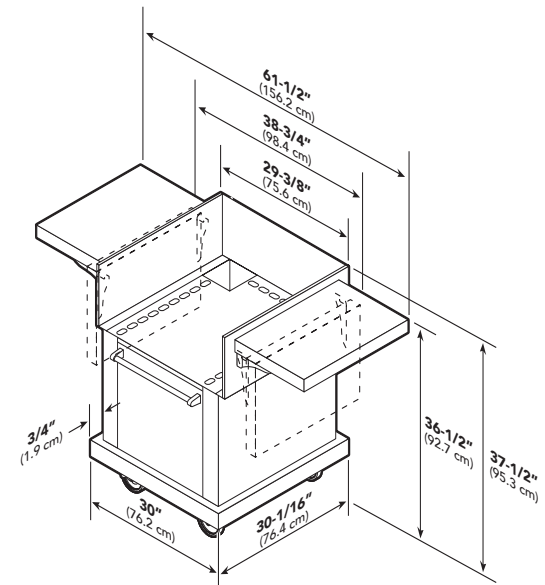
BQC030T3
Premium Cart
(for 30"W. grills)



BQC300T3
Ultra-Premium Cart
(for 30"W. grills)



BQC030T3



BQC300T3

	BQC030T3	BQC300T3
Overall width		
Across top edge	29-3/8" (75.6 cm)	29-3/8" (75.6 cm)
Across bottom ledge	30" (76.2 cm)	30" (76.2 cm)
With shelf folded down	N/A	38-1/16" (86.5 cm)
With shelf extended	N/A	45-7/16" (115.4 cm)
With shelves folded down	N/A	38-3/4" (98.4 cm)
With shelves extended*	N/A	61-1/2" (156.2 cm)
Overall height (from bottom of wheels)		
To top of cart	37-1/2" (95.3 cm)	
To top of shelf	36-1/2" (92.7 cm)	
Overall depth (from rear)		
To end of handle brackets	N/A	31-1/16" (78.9 cm)
Base ledge	30-1/16" (76.4 cm)	
With door open	N/A	53-1/16" (134.8 cm)
Approx. ship wt. lbs. (kg)	165 (74.8)	165 (74.8)

*Shelves can be removed, but you must take them off before installing grill. (See Installation Instructions for removal.)





OUTDOOR—COOKING Premium/Ultra-Premium Grill Cart



★ Please see Installation Notes and Accessories for important information, including grills and protective covers.

Dimensions & Specifications

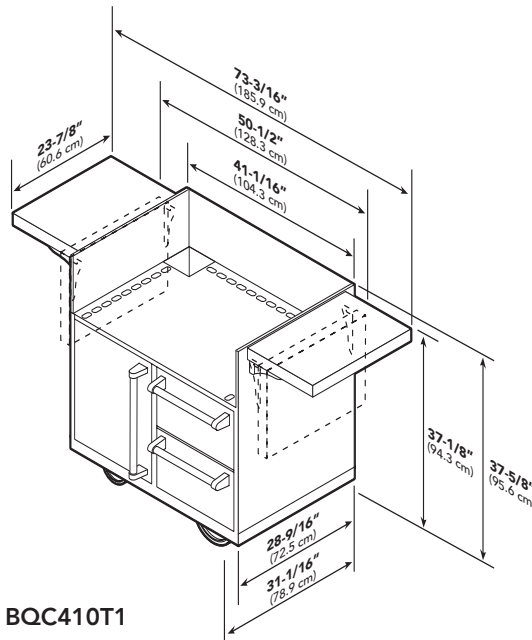
PRODUCT DIMENSIONS



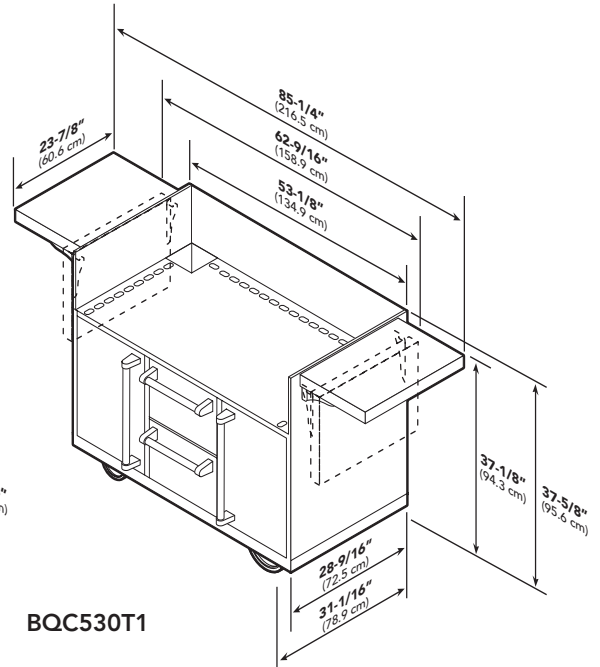
BQC410T1
Ultra-Premium Cart
(for 41"W. grills)



BQC530T1
Ultra-Premium Cart
(for 53"W. grills)



BQC410T1



BQC530T1

	BQC410T1	BQC530T1
Overall width		
Across top edge	41-1/16" (104.3 cm)	53-1/8" (134.9 cm)
With shelves folded down	50-1/2" (128.3 cm)	62-9/16" (158.9 cm)
With shelves extended*	73-3/16" (185.9 cm)	85-1/4" (216.5 cm)
Overall height (from bottom of wheels)		
To top of cart	37-5/8" (95.6 cm)	
To top of shelf	37-1/8" (94.3 cm)	
Overall depth (from rear)		
To end of handle brackets	31-1/16" (78.9 cm)	
With door open	45-7/8" (116.5 cm)	43-1/16" (109.4 cm)
With drawer open	53-1/16" (134.8 cm)	
Approx. ship wt. lbs. (kg)	225 (115.8)	290 (131.7)

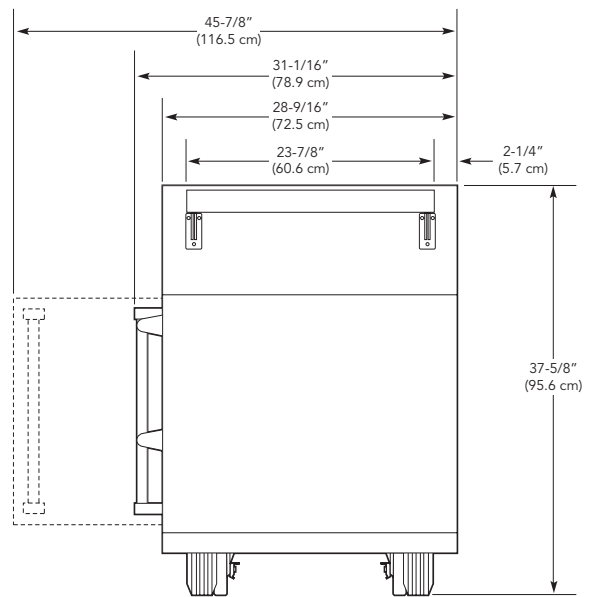
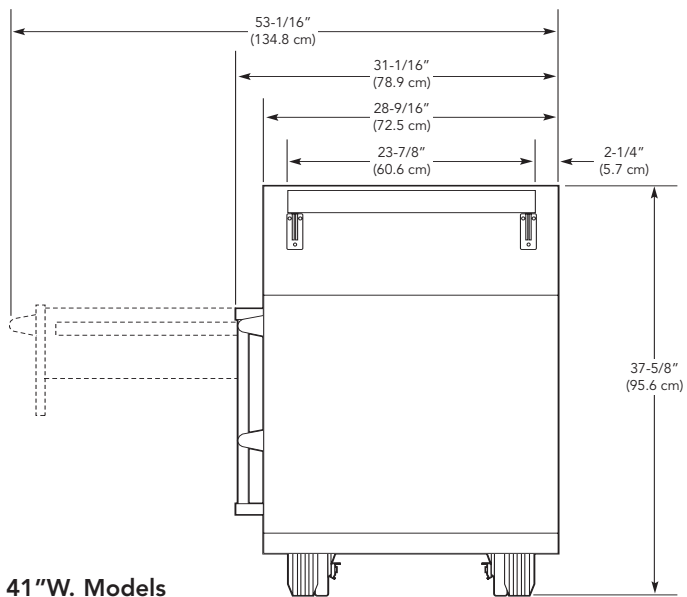
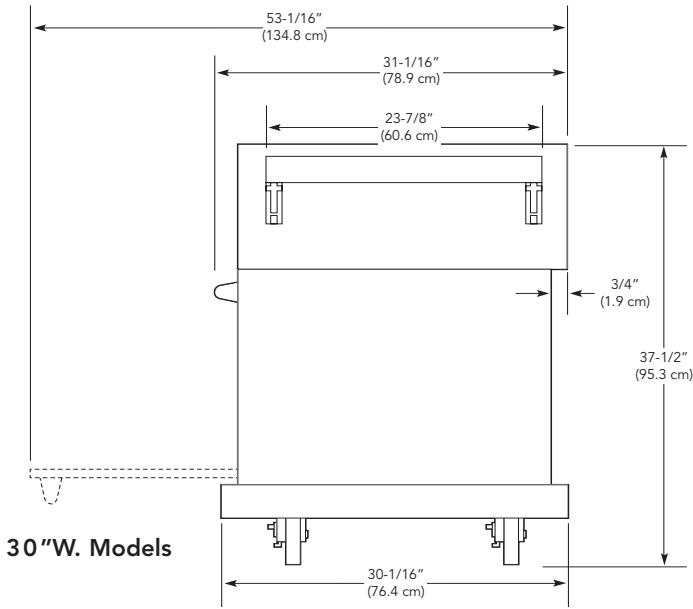
*Shelves can be removed, but you must take them off before installing grill. (See Installation Instructions for removal.)





Dimensions & Specifications

DRAWER & DOOR SWING





Dimensions & Specifications

DRAWER & DOOR SWING

