



Professional Freestanding Gas 30"/36"W. Open Burner Range

Standard Features & Accessories

All models include

- Large convection oven (see indiv. models for dimensions)
 - Three heavy-duty racks/six rack positions
- **Exclusive** VariSimmer™ setting for all burners
- Removable porcelain burner bowls
- Drip tray with roller bearing glides and two-quart drip pan
- **Exclusive** combination of single u-shaped bake burner and infrared broil burner, all with electric spark ignition
- Six functions—natural airflow bake, convection bake, infrared broil, convection infrared broil, convection dehydrate, and convection defrost
- Standard kickspace height

30"W. 4B models include

- Convection oven capacity:
 - Overall capacity—4.1 cu. ft. (23"W. x 16-1/8"H. x 18-3/4"D.)

- AHAM Standard—3.7 cu. ft. (23"W. x 16-1/8"H. x 17"D.)
- Four 15,000 BTU stainless steel burners with porcelain/cast iron caps and automatic ignition/re-ignition
- Center grate allows movement of cooking vessels across entire top surface
- Shipped with 6"H. stainless steel backguard*

36"W. 6B models include

- Convection oven capacity:
 - Overall capacity—5.1 cu. ft. (29"W. x 16-1/8"H. x 18-3/4"D.)
 - AHAM Standard—4.6 cu. ft. (29"W. x 16-1/8"H. x 17"D.)
- Six 15,000 BTU stainless steel burners with porcelain/cast iron caps and automatic ignition/re-ignition
- **Exclusive** VariSimmer™ setting for all burners

36"W. 4G models include

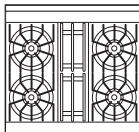
- Convection oven capacity:

- Overall capacity—5.1 cu. ft. (29"W. x 16-1/8"H. x 18-3/4"D.)
- AHAM Standard—4.6 cu. ft. (29"W. x 16-1/8"H. x 17"D.)
- Four 15,000 BTU stainless steel burners with porcelain/cast iron caps and automatic ignition/re-ignition
- 12"W. thermostatically controlled steel griddle/simmer plate

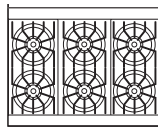
36"W. 4Q models include

- Convection oven capacity:
 - Overall capacity—5.1 cu. ft. (29"W. x 16-1/8"H. x 18-3/4"D.)
 - AHAM Standard—4.6 cu. ft. (29"W. x 16-1/8"H. x 17"D.)
- Four 15,000 BTU stainless steel burners with porcelain/cast iron caps and automatic ignition/re-ignition
- 12"W. grill with flavor generator plates and automatic ignition/re-ignition

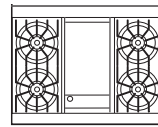
Model Options



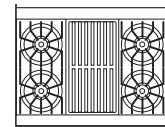
VGIC306-4B*
30"W. Four-Burner Range



VGIC366-6B*
36"W. Six-Burner Range



VGIC366-4G*
36"W. Four-Burner/Griddle Range



VGIC366-4Q*
36"W. Four-Burner/Grill Range

FINISH DETAILS FOR ALL MODELS

- Stainless Steel (SS), Black (BK), White (WH), Metallic Silver (MS), Graphite Gray (GG), Stone Gray (SG), Taupe (TP), Biscuit (BT), Cotton White (CW), Oyster Gray (OG), Golden Mist (GM), Lemonade (LE), Sage (SA), Mint Julep (MJ), Sea Glass (SE), Iridescent Blue (IB), Viking Blue (VB), Pumpkin (PM), Racing Red (RR), Apple Red (AR), Burgundy (BU), Plum (PL), Chocolate (CH), and Cobalt Blue (CB).
 - Finish designates door front, lower front panel, and side panels.

- Has black porcelain grates, black porcelain burner caps, black porcelain grate supports/burner bowls, and black knobs/switches.
- White (WH)
 - Finish designates door front, lower front panel, side panels, porcelain grate supports/burner bowls, porcelain center worktop, and knobs/switches.
 - Has black porcelain grates and black porcelain burner caps.

- All finishes have stainless steel handle/chrome-plated brackets and stainless steel drip tray pull, control panel, and landing ledge.
- Brass Trim Option (BR)—nameplate, window trim, handle, drip tray pull, knob bezels, thermal-convection switch bezel, and grate support side trim. Brass components have a durable protective coating for maintenance-free normal use.

*Shown throughout with 6"H. backguard. See **Installation Notes & Accessories** for details.

ORDERING INSTRUCTIONS

First specify model number, and then color code (VGIC306-4BSS). If ordering optional brass trim, specify code at end (VGIC306-4BSSBR). If ordering optional LP conversion, specify code at end (VGIC306-4BSSBRLP).





COOKING



**Professional Freestanding Gas 30"/36"W.
Open Burner Range**

Dimensions & Specifications

PRODUCT DIMENSIONS & DOOR SWING



VGIC306-4B
30"W. Four-Burner
Range



VGIC366-6B
36"W. Six-Burner
Range



VGIC366-4G
36"W. Four-Burner/
Griddle Range

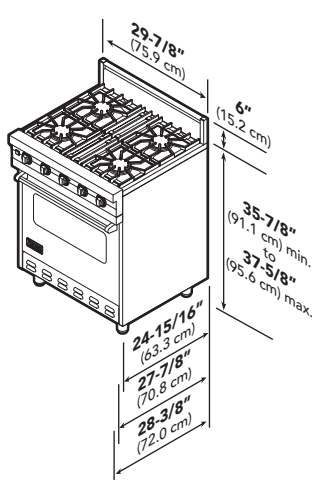


VGIC366-4Q
36"W. Four-
Burner/Grill Range

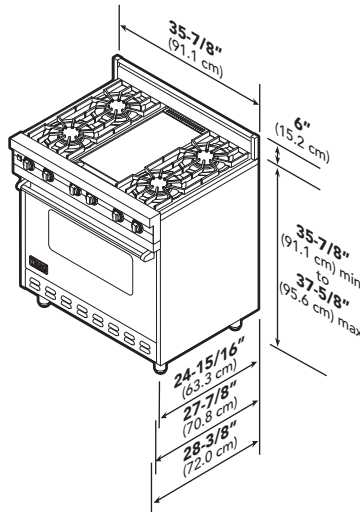
★ Please see Installation Notes & Accessories for important installation information, including backguard, high-shelf, island trim, and curb base front.



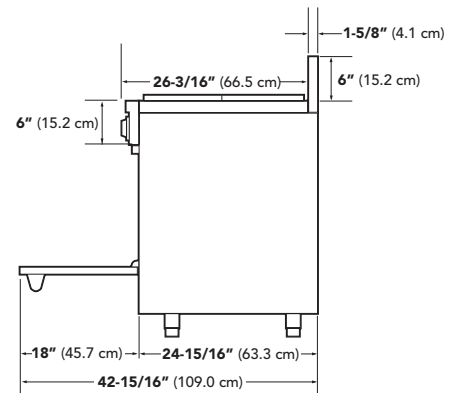
Star-K Kosher Certification for use on the Jewish Sabbath or Jewish holidays



30"W. Models



36"W. Models



30" & 36"W. Models

	VGIC306-4B	VGIC366-6B	VGIC366-4G	VGIC366-4Q
Overall width	29-7/8" (75.9 cm)	35-7/8" (91.1 cm)	35-7/8" (91.1 cm)	35-7/8" (91.1 cm)
Overall height				
Base height				
To top of grate support		35-7/8" (91.1 cm) min. to 37-5/8" (95.6 cm) max.		
Legs adjust (with "spindles" fully extended)		1-3/4" (4.5 cm)		
Additions to base height				
To top of grate		Add 1-1/8" (2.9 cm)		
To top of island trim		Add 1-1/4" (3.2 cm)		
To top of 6" backguard		Add 6" (15.2 cm)		
To top of 10" backguard		Add 10" (25.4 cm)		
To top of high shelf		Add 23-1/2" (59.7 cm)		
Overall depth (from rear)				
To end of side panel		24-15/16" (63.3 cm)		
To end of control panels		27-7/8" (70.8 cm)		
To end of knobs		28-3/8" (72.0 cm)		
Oven				
Interior width	23" (58.4 cm)	29" (73.7 cm)	29" (73.7 cm)	29" (73.7 cm)
Interior height		16-1/8" (41.0 cm)		
Interior depth		17" (43.2 cm)		
Overall interior size	3.7 cu. ft.	4.6 cu. ft.	4.6 cu. ft.	4.6 cu. ft.





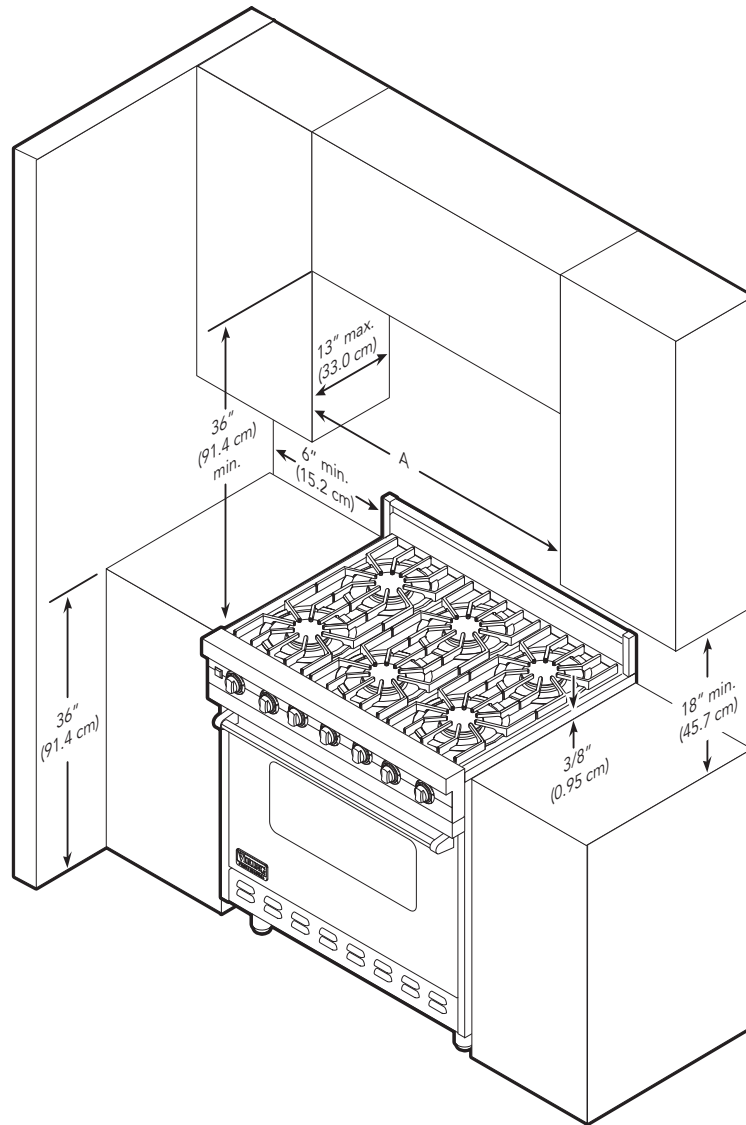
COOKING

Professional Freestanding Gas 30"/36"W. Open Burner Range



Dimensions & Specifications

CLEARANCE DIMENSIONS



A	
30"W.	29-7/8" (75.9 cm)
36"W.	35-7/8" (91.1 cm)

Minimum clearances from adjacent combustible construction

- Cooking surface and below, i.e., 36" (91.4 cm) and below
 - Sides—0"
 - Rear—0" with backguard or high-shelf; 0" with island trim and non-combustible rear wall; 6" (15.2 cm) with island trim and combustible rear wall
 - Top grate support—36" (91.4 cm)
- Above cooking surface, i.e., above 36" (91.4 cm)
 - Sides—6" (15.2 cm)
 - Within 6" (15.2 cm) side clearance, wall cabinets no deeper than 13" (33.0 cm) must be minimum 18" (45.7 cm) above cooking surface
 - Wall cabinets directly above product

must be minimum 36" (91.4 cm) for open top burners above cooking surface

- Use range only with factory supplied legs

1. This range may be installed directly adjacent to existing 36" (91.4 cm) high base cabinets. **Important:** The top grate support **must** be 3/8" (0.95 cm) above the adjacent base cabinet countertop. This may be accomplished by raising the unit using the adjustment spindles on the legs.
2. The range **cannot** be installed directly adjacent to sidewalls, tall cabinets, tall appliances, or other side vertical surfaces above 36" (91.4 cm) high. There must be a minimum of

6" (15.2 cm) side clearance from the range to such combustible surfaces above the 36" (91.4 cm) counter height.

3. Within the 6" (15.2 cm) side clearance to combustible vertical surfaces above 36" (91.4 cm), the maximum wall cabinet depth must be 13" (33.0 cm) and wall cabinets within this 6" (15.2 cm) side clearance must be 18" (45.7 cm) above the 36" (91.4 cm) high countertop.
4. Wall cabinets above the range must be a minimum of 36" (91.4 cm) above the range cooking surface for the full width of the range. This minimum height requirement does not apply if a rangehood is installed over the cooking surface.





UTILITY REQUIREMENTS



GAS

- Shipped natural gas standard; field convert to LP/propane with optional accessory kit or order as LP by adding LP after color code
- Accepts standard residential 1/2" ID gas service line
- Gas manifold pressure
 - Natural gas 5.0" W.C.P.
 - LP/Propane 10.0" W.C.P..



ELECTRICAL

- Four-foot (121.9 cm) cord included with range
- Three-wire with ground/three-prong plug
- 120 V/60 Hz
- Maximum amp usage—
 - 30"W. 4B—.83
 - 6B—.83
 - 4G—.96
 - 4Q—.83



PLUMBING

Not applicable

Installation Requirements

ACCESS REQUIREMENTS



VGIC306-4B 30"W. Four-Burner Range



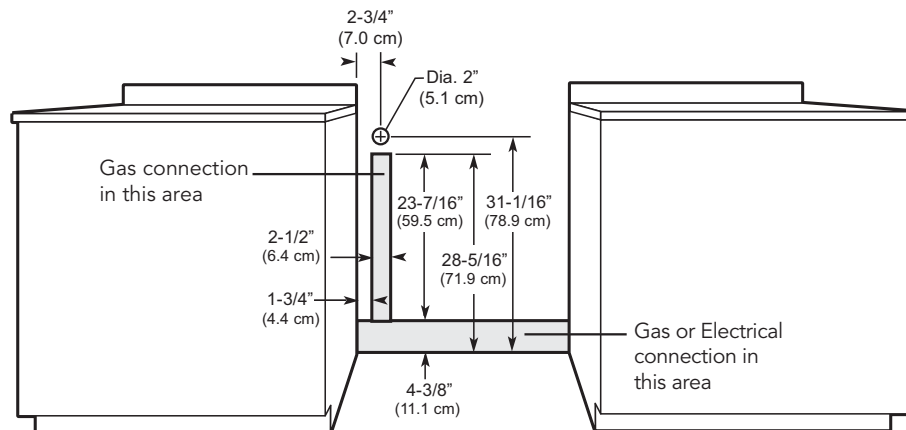
VGIC366-6B 36"W. Six-Burner Range



VGIC366-4G 36"W. Four-Burner/Griddle Range



VGIC366-4Q 36"W. Four-Burner/Grill Range



Note: Ground plug and electrical wire toward the direction of the electrical outlet.

	VGIC306-4B	VGIC366-6B	VGIC366-4G	VGIC366-4Q
Surface burner rating				
Four grated burners (each)	15,000 BTU Nat. (4.4 kW)/ 13,500 BTU LP (4.0 kW)		15,000 BTU Nat. (4.4 kW)/ 13,500 BTU LP (4.0 kW)	15,000 BTU Nat. (4.4 kW)/ 13,500 BTU LP (4.0 kW)
Six grated burners (each)		15,000 BTU Nat. (4.4 kW)/ 13,500 BTU LP (4.0 kW)		
One griddle			15,000 BTU Nat. (4.4 kW)/ 13,500 BTU LP (4.0 kW)	
One grill				18,000 BTU Nat. (5.3 kW)/ 16,000 BTU LP (4.7 kW)
Broil burner rating	18,000 BTU Nat. (5.3 kW)/16,000 BTU LP (4.7 kW)			
Bake burner rating	30,000 BTU Nat./LP (8.8 kW)			





COOKING

Professional Freestanding Gas 30"/36"W. Open Burner Range



✦ Installation Notes & Accessories

A backguard, high-shelf, or island trim must be used for all installations.

6"H. Backguard

- Stainless Steel (SS)
- Coordinates with all finishes
- Included (and shipped) automatically with 30"W. ranges, but not with 36"W. ranges.

Model	Description	Approx. ship wt. lbs. (kg)
S30BG6	30"W. backguard	14 (6.3)
S36BG6	36"W. backguard	17 (7.7)

10"H. Backguard

- Stainless Steel (SS)
- Coordinates with all finishes

Model	Description	Approx. ship wt. lbs. (kg)
S36BG10	36"W. backguard	20 (9.0)

High-shelf

- Stainless Steel (SS)
- Coordinates with all finishes
- Shelf comes attached to a 24"H. backguard

Model	Description	Approx. ship wt. lbs. (kg)
S30HS24	30"W. high-shelf	45 (20.3)
S36HS24	36"W. high-shelf	50 (22.5)

Island Trim

- Stainless Steel (SS)
- Coordinates with all finishes
- For island/peninsula installation
- Can replace backguard if wall is non-combustible

Model	Description	Approx. ship wt. lbs. (kg)
S30TII	30"W. island trim	10 (4.5)
S36TII	36"W. island trim	11 (5.0)

Countertop Side Trim

- Stainless Steel (SS)
- Coordinates with all finishes
- One pair of trim
- Installs on side of unit; overlaps countertop

Model	Description	Approx. ship wt. lbs. (kg)
S24CST	24"D. side trim	2 (0.9)





COOKING

Professional Freestanding Gas 30"/36"W. Open Burner Range



✦ Installation Notes & Accessories

Curb Base Front

- Stainless Steel (SS)
- Coordinates with all finishes
- Front only
- Conceals range legs
- Completely assembled
- Easily clips onto range legs after range is installed

Custom Curb Base Front

- Remove stainless steel front and recycle
- Attach locally supplied trim
- Conceals range legs
- Completely assembled
- Easily clips onto range legs after range is installed
- Provides drop-in range look

Model	Description	Approx. ship wt. lbs. (kg)
RS30CBF4	30"W. curb base front	9 (4.1)
RS36CBF4	36"W. curb base front	10 (4.5)

LP/Propane Conversion Kit

- Allows for field conversion of range from natural gas to LP

Model	Description	Approx. ship wt. lbs. (kg)
LPKPDR	Natural to LP/propane conversion kit	2 (0.9)

Compliance Information



WARRANTY INFORMATION*

- One-year full warranty—complete product
- Ten-year limited warranty—porcelain oven and porcelain inner door panel
- Five-year limited warranty—surface burners, griddle burners, grill burners, and oven burner
- Ninety-day limited warranty—cosmetic parts such as glass, painted, and decorative items

* For complete warranty see *Use & Care Guide*. Warranty valid on Viking products shipped within the United States and Canada.

