



### Standard Features & Accessories

#### All models include

- Exclusive VariSimmer™ setting for all burners
- Removable porcelain burner bowls
- Drip tray with roller bearing glides and two-quart drip pan

#### 30"W. 4B model includes

- Four 15,000 BTU stainless steel burners with porcelain/cast iron caps and automatic ignition/re-ignition
- Center grate allows movement of cooking vessels across entire top surface

#### 36"W. 6B model includes

- Six 15,000 BTU stainless-steel burners with porcelain/cast iron caps and automatic ignition/re-ignition

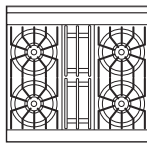
#### 36"W. 4G model includes

- Four 15,000 BTU stainless steel burners with porcelain/cast iron caps and automatic ignition/re-ignition
- 12"W. thermostatically controlled steel griddle/simmer plate

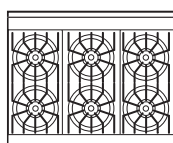
#### 36"W. 4Q model includes

- Four 15,000 BTU stainless steel burners with porcelain/cast iron caps and automatic ignition/re-ignition
- 12"W. grill with flavor generator plates and automatic ignition/re-ignition

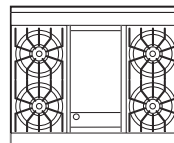
### Model Options



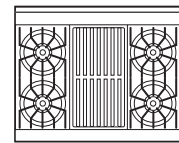
**VGRT300-4B\***  
30"W. Four-Burner Rangetop



**VGRT360-6B\***  
36"W. Six-Burner Rangetop



**VGRT360-4G\***  
36"W. Four-Burner/Griddle Rangetop



**VGRT360-4Q\***  
36"W. Four-Burner/Grill Rangetop

#### FINISH DETAILS FOR ALL MODELS

- Stainless Steel (SS), Black (BK), White (WH), Metallic Silver (MS), Graphite Gray (GG), Stone Gray (SG), Taupe (TP), Biscuit (BT), Cotton White (CW), Oyster Gray (OG), Golden Mist (GM), Lemonade (LE), Sage (SA), Mint Julep (MJ), Sea Glass (SE), Iridescent Blue (IB), Viking Blue (VB), Pumpkin (PM), Racing Red (RR), Apple Red (AR), Burgundy (BU), Plum (PL), Chocolate (CH), and Cobalt Blue (CB).
  - o Finish designates color of enamel control panel.
  - o Units have black porcelain grates, black porcelain burner caps, black porcelain grate support/burner bowls and black knobs.
- White (WH)
  - o White finishes have white enamel control panels, black porcelain grates, black porcelain burner caps, white porcelain grate support/burner bowls and white knobs.
- All finishes have stainless steel drip tray pull, and landing ledge.
- Brass Trim Option (BR)—nameplate, drip tray pull, knob bezels and grate support side trim. Brass components have a durable protective coating for maintenance-free normal use.

\*Shown throughout with 6"H. backguard. See Installation Notes & Accessories for details.

#### ORDERING INSTRUCTIONS

First specify model number, and then color code (VGRT300-4BSS). If ordering optional brass trim, specify code at end (VGRT300-4BSSBR). If ordering optional LP conversion, specify code at end (VGRT300-4BSSLP).





★ Please see Installation Notes & Accessories for important installation information, including backguard, high-shelf, and island trim.



ALL MODELS

Star-K Kosher Certification for use on the Jewish Sabbath or Jewish holidays

**Dimensions & Specifications**

**PRODUCT DIMENSIONS**



**VGRT300-4B**  
30"W. Four-Burner Rangetop



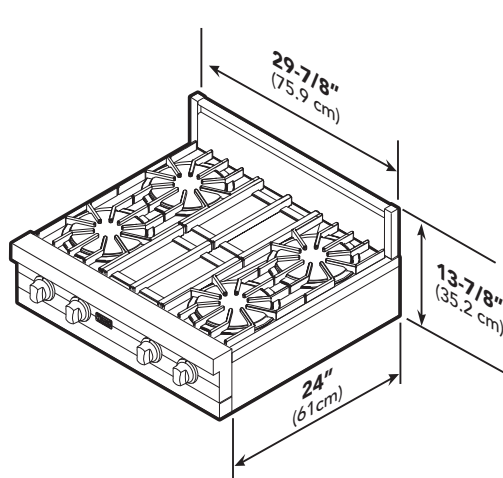
**VGRT360-6B**  
36"W. Six-Burner Rangetop



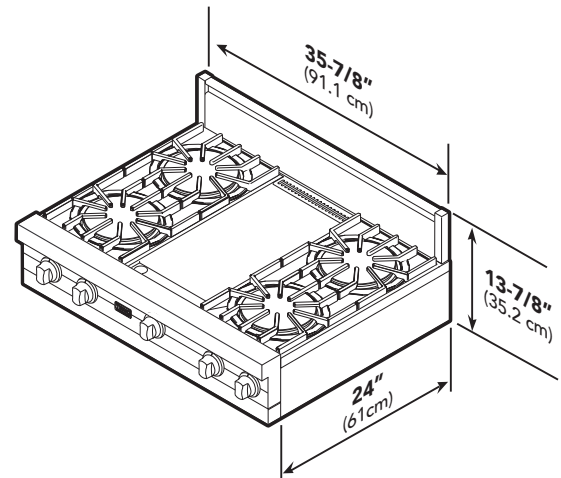
**VGRT360-4G**  
36"W. Four-Burner/Griddle Rangetop



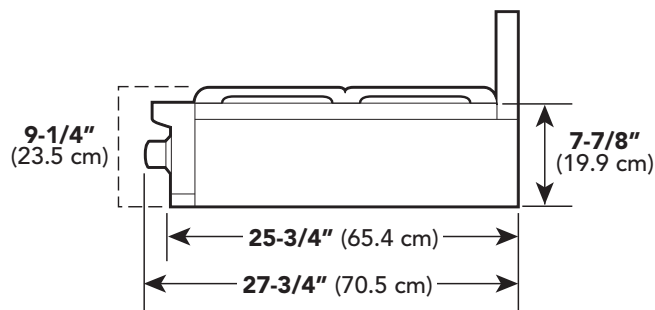
**VGRT360-4Q**  
36"W. Four-Burner/Grill Rangetop



**30"W. Models**



**36"W. Models**



\*Top of grate support should be 3/8" (1.0 cm) above countertop.

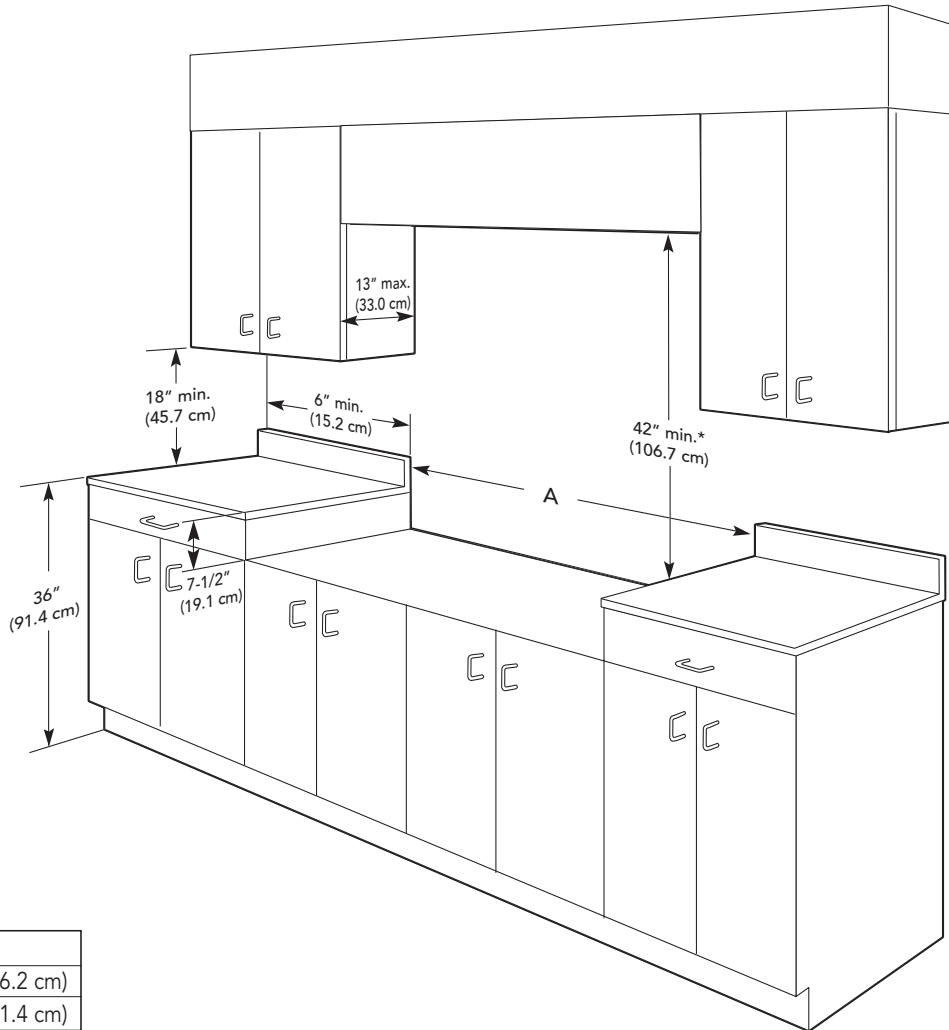
	<b>VGRT300</b>	<b>VGRT360</b>
Overall width	29-7/8" (75.9 cm)	35-7/8" (91.1 cm)
Overall height (from bottom)		
To top of grate		9-1/4" (23.5 cm)
To top of side trim		7-7/8" (19.9 cm)*
To top of island trim		8-7/8" (22.5 cm)
To top of 6" backguard		13-7/8" (35.2 cm)
To top of 10" backguard	N/A	17-7/8" (45.4 cm)
To top of high-shelf		31-3/8" (79.7 cm)
Overall depth (from rear)		
To end of side panel		24" (61.0 cm)
To end of control panel		25-3/4" (65.4 cm)
To end of knobs		27-3/4" (70.5 cm)





## Dimensions & Specifications

### CLEARANCE DIMENSIONS



A	
30"	30" (76.2 cm)
36"	36" (91.4 cm)

#### Minimum clearances from adjacent combustible construction

- Cooking surface and below, i.e., 36" (91.4 cm) and below
  - o Sides—0"
  - o Rear
    - 0" with backguard or high-shelf
    - 0" with island trim and non-combustible rear wall
    - 6" (15.2 cm) with island trim and combustible rear wall.
  - o Top grate support—36" (91.4 cm)
    - Important:** The top grate support **must** be 3/8" (.95 cm) above the adjacent base cabinet countertop.

- Above cooking surface, i.e., above 36" (91.4 cm)
    - o Sides—6" (15.2 cm)
    - o Within 6" (15.2 cm) side clearance, wall cabinets no deeper than 13" (33.0 cm) must be minimum 18" (45.7 cm) above cooking surface.
  - Wall cabinets directly above product must be minimum 42" (106.7 cm) for open top burners above cooking surface.
- \* This minimum height requirement does not apply if a rangehood is installed over the cooking surface.

**Do not install two or more units side-by-side.**



UTILITY REQUIREMENTS



GAS

- o Shipped natural gas standard; convert to LP/propane with standard convertible regulator
- o Accepts standard residential 1/2" (1.3 cm) ID gas service line
- o Gas Manifold Pressure
- o Natural gas 5.0" W.C.P.
- o LP/Propane 10.0" W.C.P.



ELECTRICAL

- Four-foot (121.9 cm) cord included with rangetop
- Three-wire with ground/three-prong plug
- 120 V/60 Hz
- Maximum amp usage—
  - o 4B—0.3
  - o 6B—0.6
  - o 4G—3.9
  - o 4Q—0.6



PLUMBING

Not applicable

Installation Requirements

ACCESS REQUIREMENTS



VGRT300-4B  
30"W. Four-Burner  
Rangetop



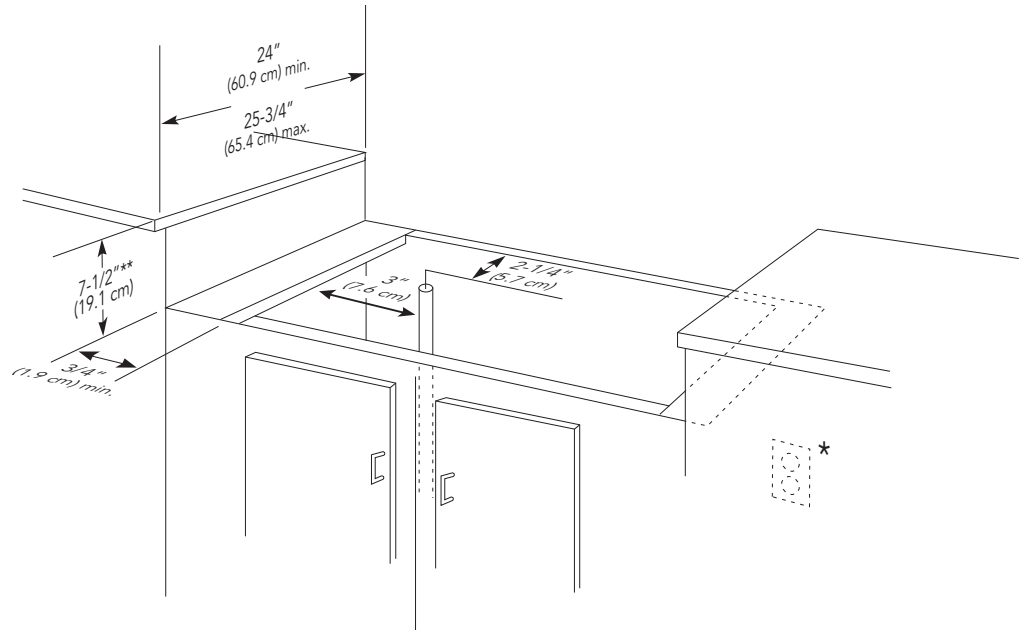
VGRT360-6B  
36"W. Six-Burner  
Rangetop



VGRT360-4G  
36"W. Four-Burner/  
Griddle Rangetop



VGRT360-4Q  
36"W. Four-Burner/  
Grill Rangetop



\*120 VAC/60 Hz within 48" (121.9 cm) of right rear unit.

	VGRT300-4B	VGRT360-6B	VGRT360-4G	VGRT360-4Q
Cutout width	30" (76.2 cm)	36" (91.4 cm)	36" (91.4 cm)	36" (91.4 cm)
Cutout height	7-1/2" (19.1 cm)**			
Cutout depth	24" (61.0 cm) min. 25-3/4" (65.4 cm) max.			
Surface burner rating				
Four grated burners, (each)	15,000 BTU Nat. (4.4 kW)/ 13,500 BTU LP (4.0 kW)		15,000 BTU Nat. (4.4 kW)/ 13,500 BTU LP (4.0 kW)	15,000 BTU Nat. (4.4 kW)/ 13,500 BTU LP (4.0 kW)
Six grated burners, (each)		15,000 BTU Nat. (4.4 kW)/ 13,500 BTU LP (4.0 kW)		
One griddle			15,000 BTU Nat. (4.4 kW)/ 13,500 BTU LP (4.0 kW)	
One grill				18,000 BTU Nat. (5.3 kW)/ 16,000 BTU LP (4.7 kW)

\*\*Top of grate support should be 3/8" (1.0 cm) above countertop.





# COOKING

## Professional Built-In Gas 30"/36"W. Open Burner Rangetop



### ✦ Installation Notes & Accessories

A backguard, high-shelf, or island trim must be used for all installations.

#### 6"H. Backguard

- Stainless Steel (SS)
- Coordinates with all finishes

Model	Description	Approx. ship wt. lbs. (kg)
T30BG6	30"W. backguard	14 (6.3)
T36BG6	36"W. backguard	17 (7.7)

#### 10"H. Backguard

- Stainless Steel (SS)
- Coordinates with all finishes

Model	Description	Approx. ship wt. lbs. (kg)
T36BG10	36"W. backguard	20 (9.0)

#### High-shelf

- Stainless Steel (SS)
- Coordinates with all finishes
- Shelf comes attached to a 24"H. backguard

Model	Description	Approx. ship wt. lbs. (kg)
T30HS24	30"W. high-shelf	45 (20.3)
T36HS24	36"W. high-shelf	50 (22.5)

#### Island Trim

- Stainless Steel (SS)
- Coordinates with all finishes
- For island/peninsula installation
- Can replace backguard if wall is non-combustible

Model	Description	Approx. ship wt. lbs. (kg)
T30TII	30"W. island trim	10 (4.5)
T36TII	36"W. island trim	11 (5.0)

#### Countertop Side Trim

- Stainless Steel (SS)
- Coordinates with all finishes
- Installs on side of unit; overlaps countertop
- One pair of trim

Model	Description	Approx. ship wt. lbs. (kg)
T24CST	Side trim	2 (0.9)

#### LP/Propane Conversion Kit

- Allows for field conversion of range from natural gas to LP

Model	Description	Approx. ship wt. lbs. (kg)
LPKPDF	Natural to LP/propane conversion kit	2 (0.9)

#### Compliance Information



#### WARRANTY INFORMATION\*

- One-year full warranty—complete product
- Ten-year limited warranty—surface burners, griddle burners and grill burners
- Ninety-day limited warranty—cosmetic parts such as glass, painted, and decorative items

\* For complete warranty see *Use & Care Guide*. Warranty valid on Viking products shipped within the United States and Canada.

