



Standard Features & Accessories

Each oven includes

- Overall capacity (each oven)—5.1 cu. ft.
 - o 29"W. x 16-1/8"H. x 18-3/4"D.
- AHAM standard capacity (each oven)—4.2 cu. ft.
 - o 29"W. x 16-1/8"H. x 15-3/8"D.
- Commercial-type styling
- Self-clean ovens
- High performance cooking modes
 - o Convection
 - TruConvec™ convection cooking (element around fan)
 - o Convection bake
 - o Convection broil (eight-pass element)
 - o Convection dehydrate
 - o Convection defrost
 - o Conventional
 - Two-element bake
 - o Mini-Broil (four-pass element)
 - o Maxi-Broil (eight-pass element)
- Electronic clock/timer
 - o 100 minute timer
- o Set cooking time for up to 12 hours
- o Delay cooking feature
- o Tone and digital display indicate pre-set cooking time is finished
- o Also functions as an alarm
- Three heavy-duty racks/six rack positions/two lights

Model Options



VESO166
36"W. Single Oven



VEDO266
36"W. Double Oven

FINISH DETAILS FOR ALL MODELS

- Stainless Steel (SS), Black (BK), White (WH), Metallic Silver (MS), Graphite Gray (GG), Stone Gray (SG), Taupe (TP), Biscuit (BT), Cotton White (CW), Oyster Gray (OG), Golden Mist (GM), Lemonade (LE), Sage (SA), Mint Julep (MJ), Sea Glass (SE), Iridescent Blue (IB), Viking Blue (VB), Pumpkin (PM), Racing Red (RR), Apple Red (AR), Burgundy (BU), Plum (PL), Chocolate (CH), and Cobalt Blue (CB).
 - o Finishes designate door front(s). Stainless steel control panel with black knobs/switches.
- Black (BK)
 - o Finish designates door front(s). Black control panel and knobs/switches.
- White (WH)
 - o Finish designates door front(s). White control panel and knobs/switches.
- Silver finished vertical/horizontal trim and stainless steel handles (with chrome-plated brackets)
- Brass Trim Option (BR)—nameplate, window trim, door handle/brackets, and knob bezels. Brass components have a durable protective coating for maintenance-free normal use.

ORDERING INSTRUCTIONS

First specify model number, and then color code (VESO166SS). If ordering optional brass trim, specify code at end (VESO166SSBR).





COOKING

**Professional Built-In Electric
36"W. Single/Double Oven**



Star-K Kosher
certification for use
on the Jewish
Sabbath or Jewish
holidays

Dimensions & Specifications

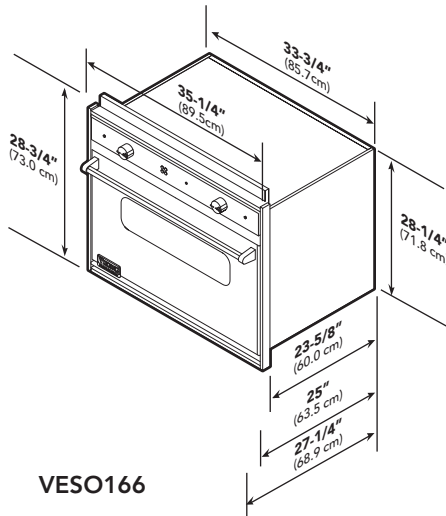
PRODUCT DIMENSIONS & DOOR SWING



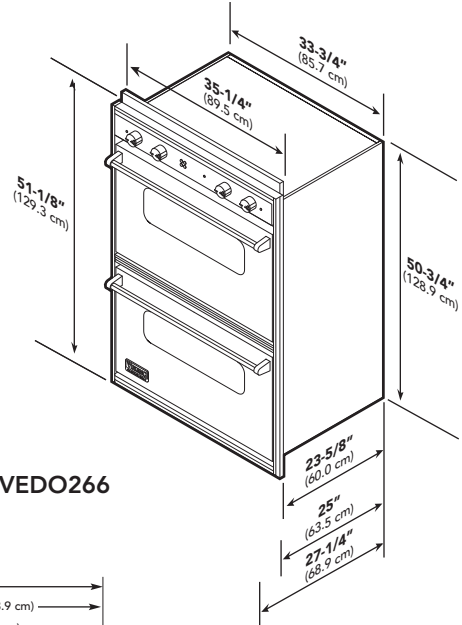
VESO166
36"W. Single Oven



VEDO266
36"W. Double Oven

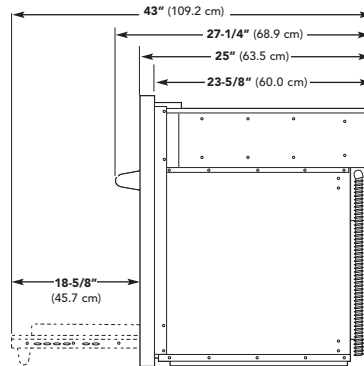


VESO166



VEDO266

VESO166/VEDO266



	VESO166	VEDO266
Overall width		35-1/4" (89.5 cm)
Overall height (from bottom)	28-3/4" (73.0 cm)	51-1/8" (129.3 cm)
Overall depth (from rear)		
To edge of door		25" (63.5 cm)
To end of handle bracket		27-1/4" (68.9 cm)
With door open		43" (109.2 cm)
Interior (each oven)		
Width		29" (73.7 cm)
Height		16-1/8" (41.0 cm)
Depth		15-3/8" (39.1 cm)
Approx. ship weight	330 lbs. (148.6 kg)	575 lbs. (148.6 kg)




**UTILITY
REQUIREMENTS**

GAS

- Not applicable


ELECTRICAL

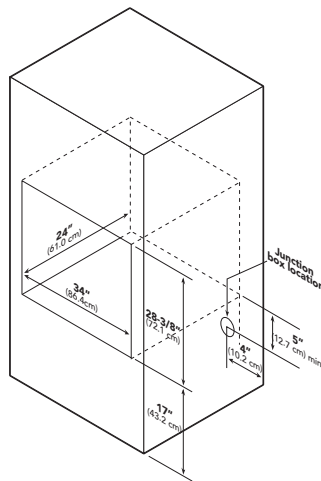
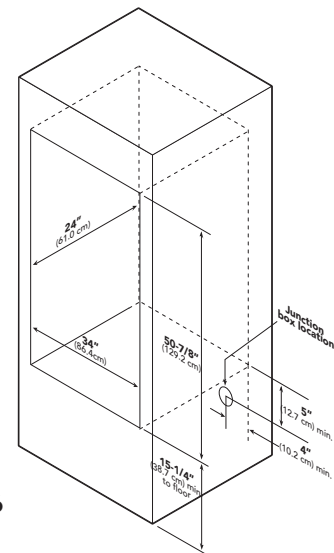
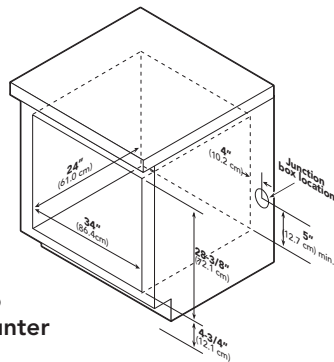
- Four-wire with ground 240-208/120VAC/60 Hz, 40-amp electrical connection. Unit is equipped with no. 10 ground wire in conduit. Should be fused separately.
- Maximum amp usage—(240V/208V)
 - o Single—30 amp
 - o Double—50 amp


PLUMBING

Not applicable

Installation Requirements
ACCESS REQUIREMENTS

**VESO166
36"W. Single Oven**

**VEDO266
36"W. Double Oven**

**VESO166
Built-In**

**VEDO266
Built-In**

**VESO166
Undercounter**

	VESO166	VEDO266
Cutout width	34" (86.4 cm)	
Cutout height (from bottom)	28-3/8" (72.1 cm)	50-7/8" (129.2 cm)
(from floor)	4-3/4" (12.1 cm) min.*	15-1/4" (38.7 cm) min.
	17" (43.2 cm) min.**	
Cutout depth		24" (61.0 cm)

*undercounter installation

**wall installation



★ Installation Notes & Accessories

Hearth Stone

- Hard-fired ceramic baking stone
- Absorbs heat and sends it back into food during cooking
- Can be used in all Viking built-in ovens

Model	Description	Approx. ship wt. lbs. (kg)
OHS18	17-5/8"W. x 13"D. hearth stone	13 (5.9)

V-rack & Drip Pan

- No stick V-rack can be used for cooking roasts, hams, ribs, etc.
- Drip pan catches drippings from items cooked in V-rack to generate flavor and prevent flare-ups

Model	Description	Approx. ship wt. lbs. (kg)
CVD	V-rack & drip pan	4 (1.8)

Broiler Pan & Tray

- For use with all Viking built-in and range ovens
- Heavy-duty porcelainized construction
- Tray allows drippings to fall through to broiler pan
- Tray is removable for easy cleaning

Model	Description	Approx. ship wt. lbs. (kg)
BPT	Broiler pan & tray	5.5 (2.5)

Broiler Pan Rack

- For use with Viking broiler tray
- Provides better broiling and roasting options in convection modes

Model	Description	Approx. ship wt. lbs. (kg)
BPR	Broiler pan rack	1 (0.45)

Compliance Information



WARRANTY INFORMATION*

- One-year full warranty—complete product
- Five-year limited warranty—all oven elements
- Ten-year limited warranty—porcelain oven(s) and porcelain inner door panel
- Ninety-day limited warranty—cosmetic parts such as glass, painted, and decorative items

* For complete warranty see *Use & Care Guide*. Warranty valid on Viking products shipped within the United States and Canada.

