



### Standard Features & Accessories

#### All models include

- Capacity—accommodates 16 international place settings
- Automatic water heating (85°F – 170°F, depending on cycle)
  - 1,200-watt heater
  - Two separate thermostats
- Extremely efficient, energy- and water-saving operation
- Electronic controls offer wash cycles and options that reduce energy costs
  - Cycles: Pots/Pans, Heavy, Normal, Light/China, Quick, Rinse/Hold
  - Options: Temperature Selection, Extra Dry, Five-Hour Delay
  - Controls on inside top of door—hidden when door is closed
- Commercial construction and design
  - Rustproof surgical stainless steel tank/inner door
  - Counterbalanced, heavy-duty door springs
  - Tough, zinc-coated steel frame and one-piece galvanized steel base pan
  - Twin fill valve and overflow protection switch
- Quiet Clean System™ with asphalt, felt, and foam insulation
  - Absorbs sound
  - Retains heat
- Super-extensible graphite nylon racks
  - Adjustable tines
  - Taller upper rack with two dual-level cup racks
  - Silverware/cutlery basket with lidded compartment for small items
- Multi-level wash system
  - Stainless steel lower and upper wash arms turn opposite directions for complete coverage
  - Additional spray zone targets heavily soiled dishes
- Triple filtration and waste removal system
  - Separate motors/pumps for circulation and drain
    - Drains quietly
  - Anti-jam, auto-reversing pump
  - Removable strainer
  - Removable, self-cleaning fine filter captures smaller particles
- Convect-Air™ fan drying safely vents away from controls and cabinets
- Extra-tall tank
  - Eliminates need for top fill strip
  - Allows loading of full-size plates in top rack
- Automatic detergent/rinse agent dispensers
- End of cycle signal
- Shipped with stainless steel door installed, or with **no front**—to accept custom front panel or optional door panel
- Shipped with two stainless steel side trim strips (1/4"W.)

#### Step-up features on 142 models

- Special cradle for long knives and utensils
- Express and Top or Bottom Rack Only cycle options
- Control lock safety feature
- Halogen interior light—turns on when door is opened

### Model Options



**DFUD042/142\***  
Professional

- FINISH DETAILS FOR 042/142 MODELS**
- Stainless Steel (SS), Black (BK), White (WH), Metallic Silver (MS), Graphite Gray (GG), Stone Gray (SG), Taupe (TP), Biscuit (BT), Cotton White (CW), Oyster Gray (OG), Golden Mist (GM), Lemonade (LE), Sage (SA), Mint Julep (MJ), Sea Glass (SE), Iridescent Blue (IB), Viking Blue (VB), Pumpkin (PM), Racing Red (RR), Apple Red (AR), Burgundy (BU), Plum (PL), Chocolate (CH), and Cobalt Blue (CB).
  - Stainless steel handle with chrome-plated brackets.
  - Brass Trim Option (BR)—nameplate and handle/brackets. Brass components have a durable protective coating for maintenance-free normal use.



**DFUD042/142\***  
Designer

- FINISH DETAILS FOR 042/142 MODELS**
- Stainless Steel (SS), Black (BK), White (WH), Metallic Silver (MS), Graphite Gray (GG), Stone Gray (SG), Taupe (TP), Biscuit (BT), Cotton White (CW), Oyster Gray (OG), Golden Mist (GM), Lemonade (LE), Sage (SA), Mint Julep (MJ), Sea Glass (SE), Iridescent Blue (IB), Viking Blue (VB), Pumpkin (PM), Racing Red (RR), Apple Red (AR), Burgundy (BU), Plum (PL), Chocolate (CH), and Cobalt Blue (CB).
  - Cast stainless steel handle.
  - Brass Trim Option (BR)—nameplate and handle. Brass components have a durable protective coating for maintenance-free normal use.



**DFUD042/142**  
Custom Front

- FINISH DETAILS FOR 042/142 MODELS**
- Door not included—opt for a 3/4"-thick custom panel (locally supplied), or purchase a Viking Professional Series or Designer Series door panel kit (see **Installation Notes & Accessories**)
  - Handle not included—opt for a custom handle, or purchase a Viking Professional Series or Designer Series handle kit (see **Installation Notes & Accessories**)
  - See **Custom Panels** section for more information and additional specifications.

\*Shown throughout with door panel. See **Installation Notes & Accessories** for details.

#### ORDERING INSTRUCTIONS

Must order either a Professional (PTD24) or Designer (DTD24) door panel if a custom panel will not be used. Specify color code at end (PTD24SS). If ordering a custom model (to be fit with a custom panel or with a color panel), use no color or trim code (DFUD042).



★ Please see Installation Notes & Accessories for important information, including door panel and handle kits.

## Dimensions & Specifications

### PRODUCT DIMENSIONS



**DFUD042P/142P**  
Professional

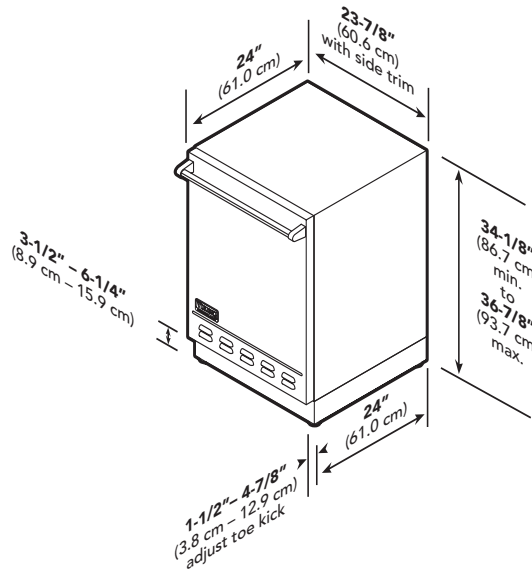


**DFUD042D/142D**  
Designer

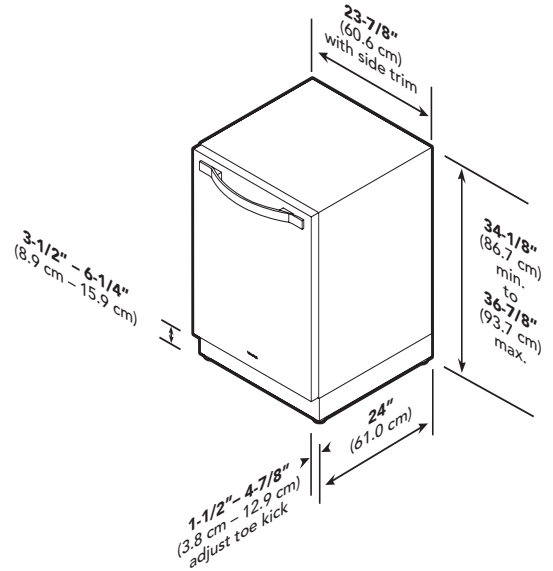


**DFUD042/142**  
Custom Front

See Custom Panels section for more information and additional specifications.



**PROFESSIONAL**



**DESIGNER**

### All models

Overall width	
With side trims	<b>23-7/8" (60.6 cm)</b>
Without side trims	<b>23-1/2" (59.7 cm)</b>
Overall height (from floor)	
With top trim	<b>34-1/8" (86.7 cm) min. to 36-7/8" (93.7 cm) max.</b>
Without top trim	<b>33-3/4" (85.7 cm)</b>
Overall depth (from rear)	
To front edge of side trim	<b>24" (61.0 cm)—includes drain hose + door panel</b>
With door open	<b>49" (124.5 cm)</b>



## Dimensions & Specifications

### DOOR SWING



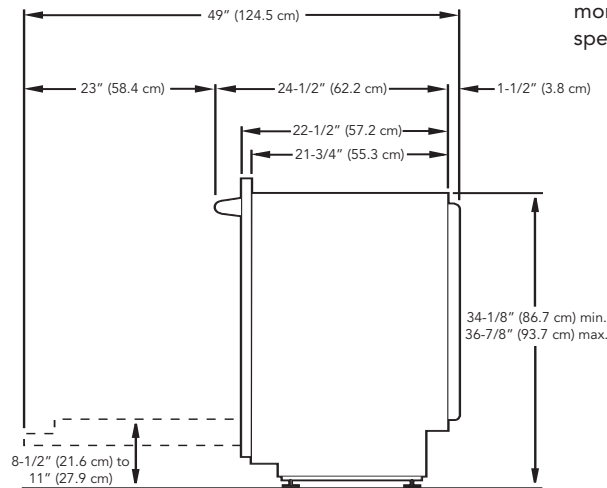
**DFUD042P/142P**  
Professional



**DFUD042D/142D**  
Designer

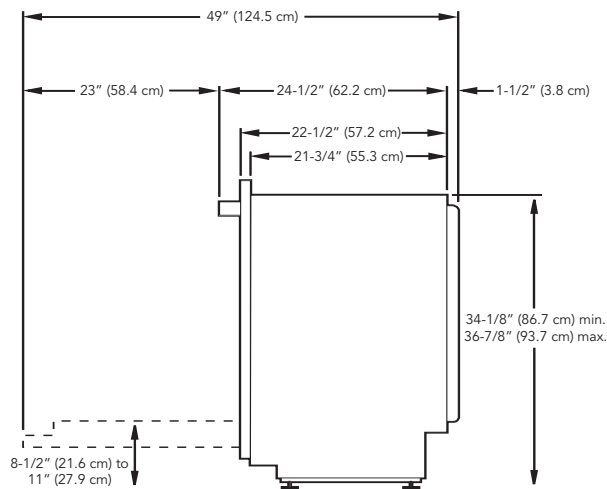


**DFUD042/142**  
Custom Front



See **Custom Panels** section for more information and additional specifications.

### PROFESSIONAL



### DESIGNER

**Note:** If the dishwasher is installed in a corner, there must be a minimum clearance of 2" (5.1 cm) from the side wall so the door can open.



**UTILITY REQUIREMENTS**



**GAS**  
Not applicable



**ELECTRICAL**

- 6' (1.8 m), two-wire cord with grounded, three-prong plug supplied with unit
- 120 VAC/60 Hz
- Maximum amp usage—15.0
- Water-heating element rating—1,200 watts



**PLUMBING**

- 120°F (49°C) hot water recommended; dishwasher will, however, perform properly with cold water (Cycle times will vary)
- Inlet water pressure operating range—18 – 176 psi (125 – 1,227 kPa)
- 6-1/2' (2.0 m) 3/4" (1.9 cm) ID "crimp-proof" rubber drain hose with clamp attached to dishwasher; can be extended up to a maximum of 10' (3.0 m) with 3/4" (1.9 cm) ID copper tubing
- High loop of drain hose required; min. height from floor—24" (61.0 cm); max. height—35" (88.9 cm)
- 6' (1.8 m) PEX water line with 3/8" (0.95 cm) compression fitting (NPT female connection) supplied with unit
- Check local codes for drain air gap requirement

**Installation Requirements**

**ACCESS REQUIREMENTS**



**DFUD042P/142P**  
**Professional**

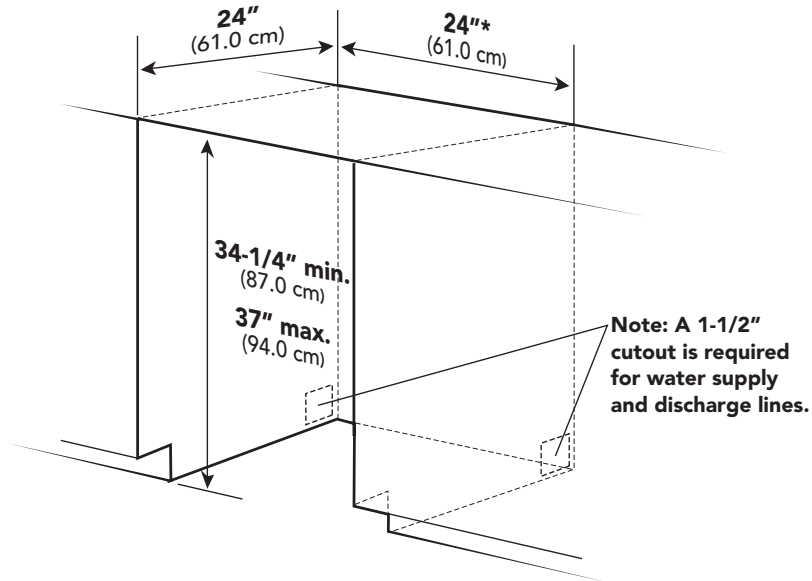


**DFUD042D/142D**  
**Designer**



**DFUD042/142**  
**Custom Front**

See **Custom Panels** section for more information and additional specifications.



\*When installing the dishwasher without the side trim, the cutout must be 23-5/8" (60.0 cm), and approximately 4" (10.2 cm) of the inside cabinets must be finished.

All models	
Cutout width	24" (61.0 cm)
Cutout height	34-1/4" (87.0 cm) min. to 37" (94.0 cm) max.
Cutout depth	24" (61.0 cm)



# KITCHEN CLEANUP Undercounter 24"W. Dishwasher



## ★ Installation Notes & Accessories

### Door Panel Kits

- For use with DFUD042/142 custom front dishwasher
- Kit includes one panel and installation hardware
- Add **BR** to end of model number for brass trim option

Model	Description	Approx. ship wt. lbs. (kg)
PTD24-SS	Professional door panel (Stainless Steel)	14 (6.3)
PTD24-BK	Professional door panel (Black)	14 (6.3)
PTD24-WH	Professional door panel (White)	14 (6.3)
PTD24-AL	Professional door panel (Almond)	14 (6.3)
PTD24-BT	Professional door panel (Biscuit)	14 (6.3)
PTD24-SG	Professional door panel (Stone Gray)	14 (6.3)
PTD24-GG	Professional door panel (Graphite Gray)	14 (6.3)
PTD24-BU	Professional door panel (Burgundy)	14 (6.3)
PTD24-LE	Professional door panel (Lemonade)	14 (6.3)
PTD24-MJ	Professional door panel (Mint Julep)	14 (6.3)
PTD24-FG	Professional door panel (Forest Green)	14 (6.3)
PTD24-VB	Professional door panel (Viking Blue)	14 (6.3)
PTD24-CB	Professional door panel (Cobalt Blue)	14 (6.3)
PTD24-EP	Professional door panel (Eggplant)	14 (6.3)
DTD24-SS	Designer door panel (Stainless Steel)	14 (6.3)
DTD24-BK	Designer door panel (Black)	14 (6.3)
DTD24-WH	Designer door panel (White)	14 (6.3)
DTD24-BT	Designer door panel (Biscuit)	14 (6.3)
DTD24-SG	Designer door panel (Stone Gray)	14 (6.3)
DTD24-GG	Designer door panel (Graphite Gray)	14 (6.3)

### Handle Kits

- For use with DFUD042/142 custom front dishwasher
- Handle allows dishwashers with custom door panel to coordinate with the Professional and Designer products
- Kit includes one handle and installation hardware

Model	Description	Approx. ship wt. lbs. (kg)
PHK23-SS	Professional handle (Stainless Steel)	5 (2.3)
PHK23-BR	Professional handle (Brass)	5 (2.3)
DHK20-SS	Designer handle (Stainless Steel)	5 (2.3)
DHK20-BR	Designer handle (Brass)	5 (2.3)

### Compliance Information



### WARRANTY SUMMARY\*

- One-year full warranty—all components
- Twenty-five-year limited warranty—stainless steel tank, inner door liner
- Five-year limited warranty—racks, motors/pumps assemblies (2), and water distribution system
- Ninety-day limited warranty—cosmetic parts (painted and decorative items)

\*For complete warranty see *Use & Care Guide*. Warranty valid on Viking products shipped within the United States and Canada.

