

CUSTOM PANEL-REFRIGERATION

Built-In 48"W. Side-By-Side Refrigerator/Freezer & Refrigerator/Freezer with Dispenser—DFSB483/483D



Dimensions & Specifications

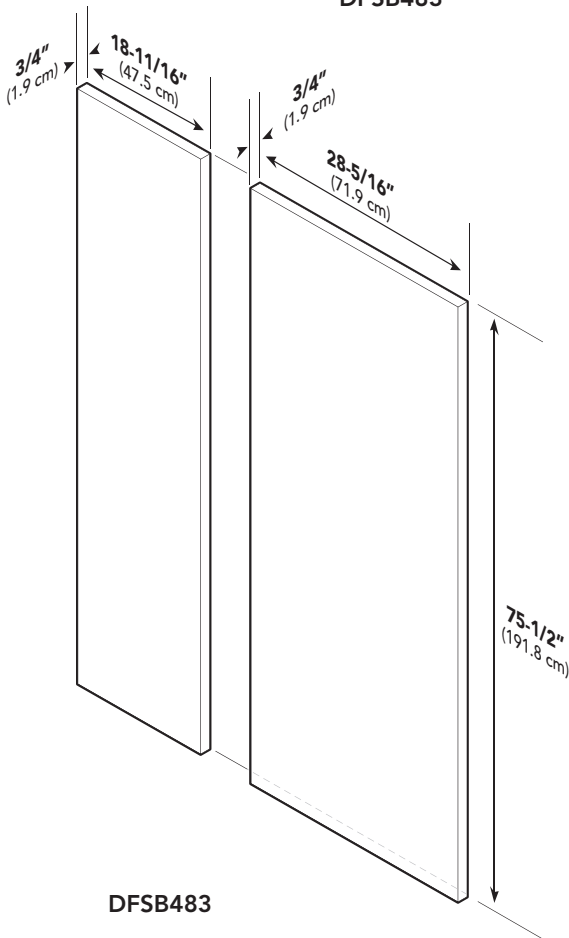
CUSTOM PANEL DIMENSIONS



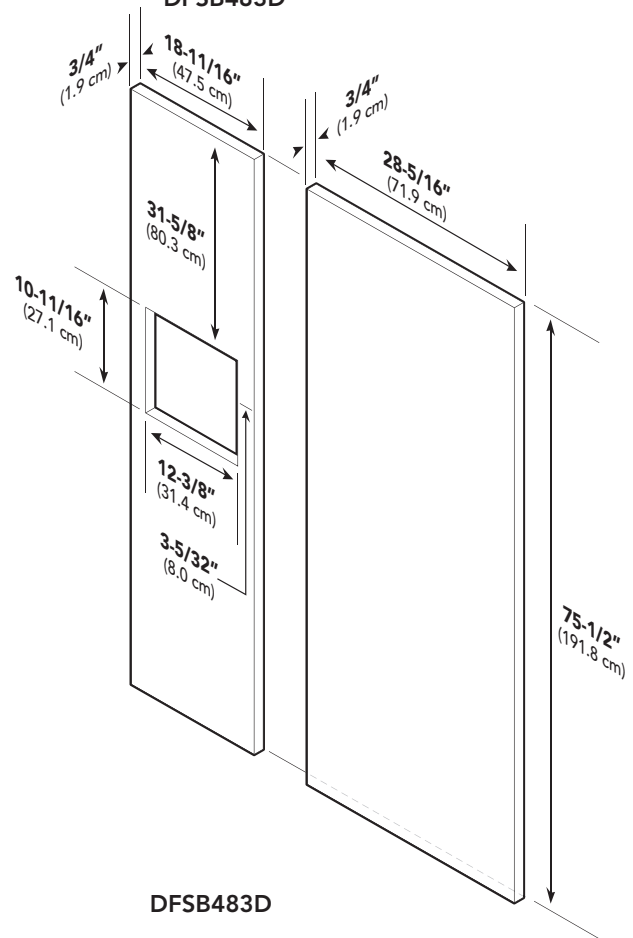
DFSB483



DFSB483D



DFSB483



DFSB483D

Note: Panel overlays must be dry, solid, straight one piece panels. The use of multiple panel pieces to achieve the dimensions is not recommended.

Note: A 1/4" wood filler or insulation filler must be used between the door and 3/4" wood panel to prevent condensation from forming. The dimensions of the wood filler are 1/4" smaller than the dimensions shown.

DFSB483/483D	
Overall panel width	
Refrigerator front	28-5/16" (71.9 cm)
Freezer front	18-11/16" (47.5 cm)
Overall panel height	75-1/2" (191.8 cm)
Overall panel depth	3/4" (1.9 cm)*
Maximum panel weight	
Refrigerator front	50 lbs. (22.7 kg)
Freezer front	35 lbs. (15.9 kg)

*Panel thickness must not exceed 1" (2.5 cm) on hinge side. Thicker panels will interfere with door swing and clearance.



CUSTOM PANEL-REFRIGERATION

Built-In 48"W. Side-By-Side Refrigerator/Freezer & Refrigerator/Freezer with Dispenser—DFSB483/483D



Dimensions & Specifications

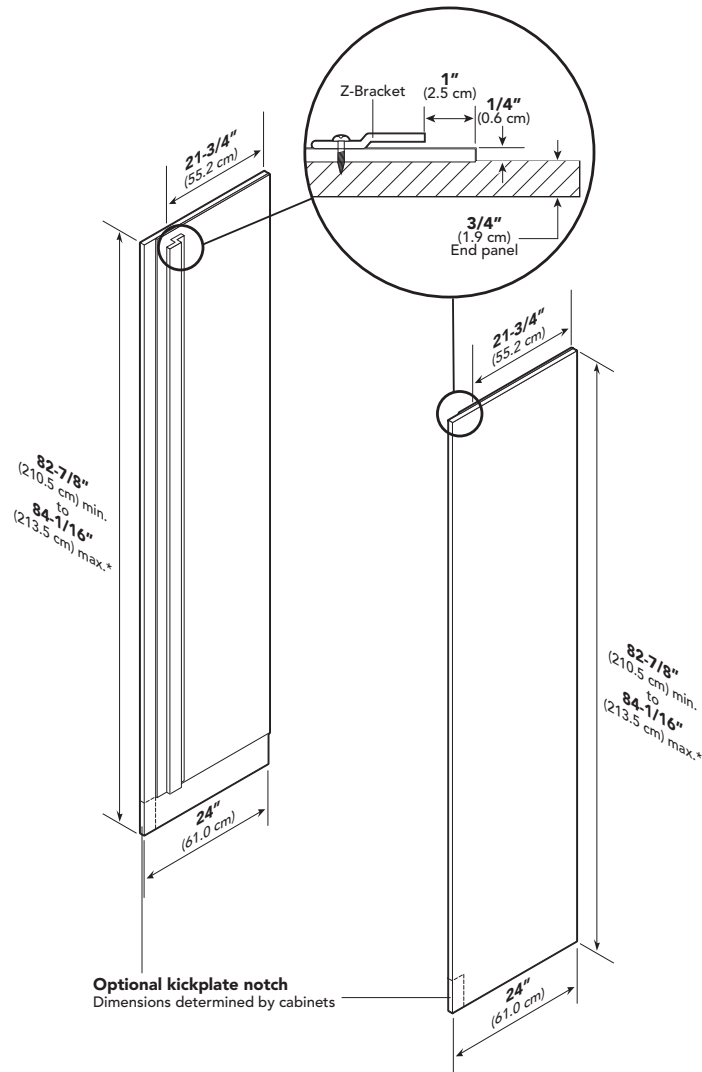
CUSTOM SIDE PANEL DIMENSIONS



DFSB483



DFSB483D



Note: Adding a 3/4" (1.9 cm) side panel adds an additional 3/4" (1.9 cm) to the overall width of the product for each side panel. Requires side panel hardware kit (Kit model number – SPHKDS)

DFSB483/483D	
Overall panel width	3/4" (1.9 cm)
Overall panel height	82-7/8" (210.5 cm) min. to 84-1/16" (213.5 cm) max.*
Overall panel depth	24" (61.0 cm)

*Depending on how high leveling feet are raised and cabinet enclosure height.



CUSTOM PANEL-REFRIGERATION



Built-In 48"W. Side-By-Side Refrigerator/Freezer & Refrigerator/Freezer with Dispenser—DFSB483/483D

Dimensions & Specifications

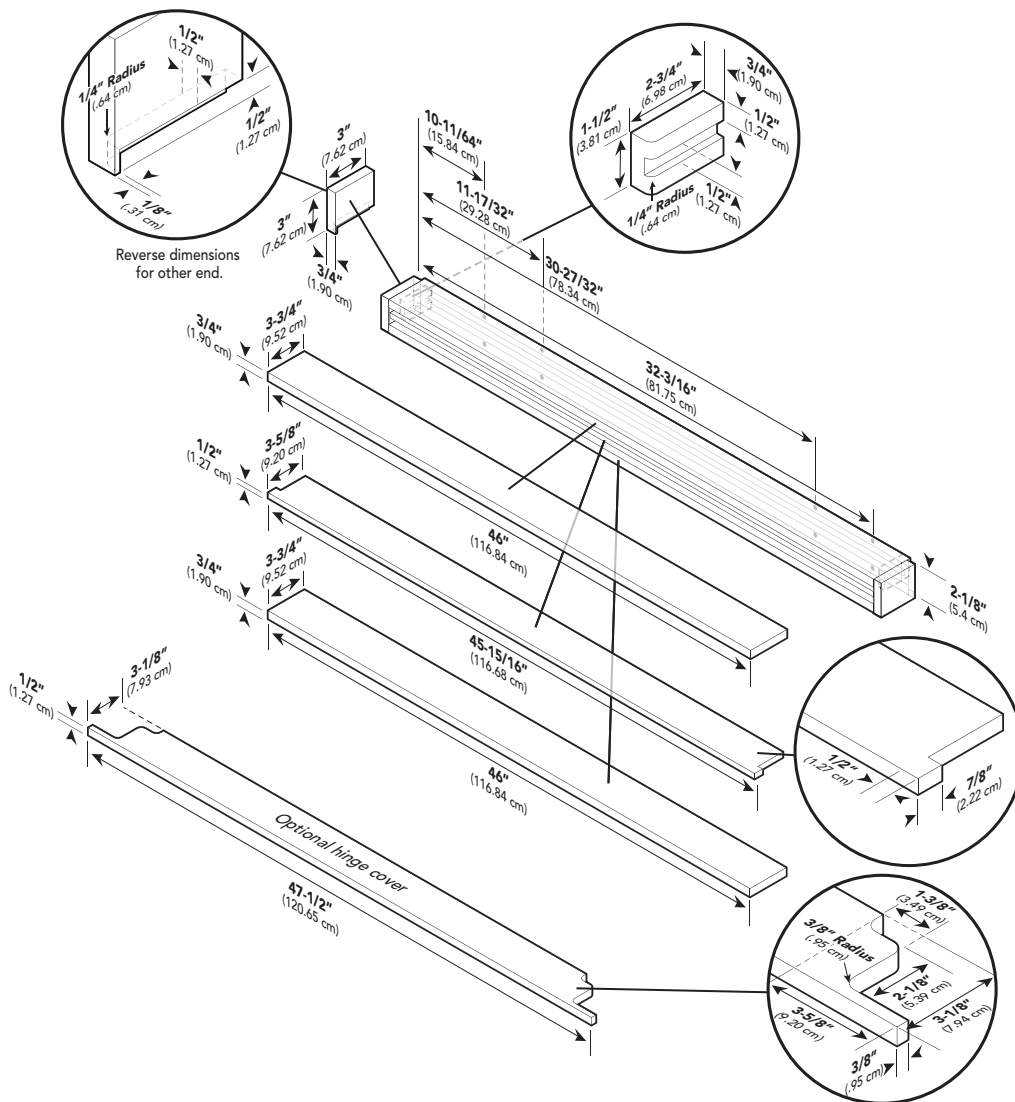
CUSTOM GRILLE DIMENSIONS



DFSB483



DFSB483D



DFSB483/483D	
Overall grille width	47-1/2" (120.7 cm)
Overall grille height	3" (7.6 cm)
Overall grille depth	3-3/4" (9.5 cm)

