

INSTALLATION INSTRUCTIONS

VIKING RANGE CORPORATION
111 Front Street
Greenwood, Mississippi 38930 USA
(662) 455-1200

PROFESSIONAL SERIES CONVECTION MICROWAVE BUILT-IN TRIM KIT

Retain for Future Reference

IMPORTANT - PLEASE READ AND FOLLOW

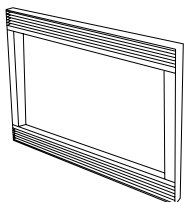
- Before beginning, please read these instructions completely and carefully.
- Be sure to DISCONNECT THE PLUG of the microwave oven from the electrical outlet before installing the built-in trim kit. Remove the turntable from the oven cavity.
- Because the kit includes metal parts, caution should be used in handling and installation to avoid the possibility of injury.
- Do not remove permanently affixed labels, warnings, or plates from the product. This may void the warranty.
- Please observe all local and national codes and ordinances.
- **The installer should leave these instructions with the consumer who should retain for local inspector's use and for future reference.**

THIS BUILT-IN TRIM KIT IS DESIGNED FOR USE ONLY WITH VIKING CONVECTION MICROWAVE OVENS SPECIFYING BUILT-IN TRIM KIT VMTK275/276, VMTK305/306 OR VMTK365/366 ON THE RATING LABEL ON THE BOTTOM FACE PLATE OF THE OVEN CAVITY.

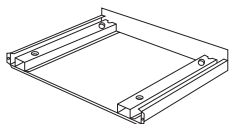
IF YOUR LOWER CONVENTIONAL OVEN IS NOT LISTED IN THE USE AND CARE MANUAL OF THE MICROWAVE OVEN, THEN DO NOT INSTALL THE MICROWAVE OVEN ABOVE IT OR IN ANY AREA WHERE HEAT AND STEAM ARE GENERATED; FOR EXAMPLE, NEXT TO OR ABOVE A CONVENTIONAL RANGE.

PARTS INCLUDED IN THE VMTK KITS

1) Front Frame Assembly
QTY 1



2) Bottom Duct Assembly
QTY 1



3) Screw A (1/2" length)
QTY 10



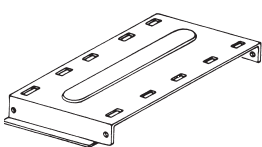
4) Screw B (1-3/4" length)
QTY 4



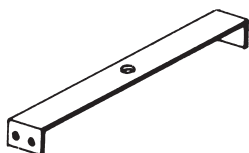
5) Screw C (1-3/16" length)
QTY 2



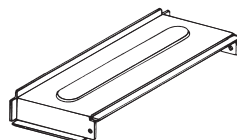
6) Duct A (1)
QTY 1



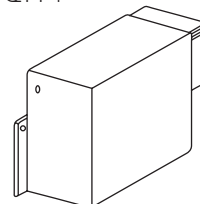
7) Duct A (2)
QTY 1



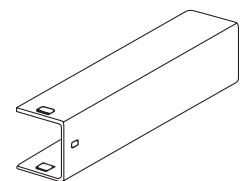
8) Duct A (3)
QTY 1



9) Duct B
QTY 1



10) Duct C
QTY 1



BASIC SPECIFICATIONS

	Microwave Oven		Built-In Trim Kits					
	VMOC205		VMTK275/276		VMTK305/306		VMTK365/366	
Overall Width	24-5/8" (62.5 cm)		26-1/2" (67.3 cm)		29-1/2" (74.9 cm)		35-1/4" (89.5 cm)	
Overall Height from Bottom	14-7/8" (37.7 cm)		20-3/16" (50.9 cm)	19-13/16" (50.1 cm)	20-3/16" (50.9 cm)	19-13/16" (50.1 cm)	20-3/16" (50.9 cm)	19-13/16" (50.1 cm)
Overall Depth from Rear	19" (48.3 cm)		N/A					
Oven Interior	Width	16-1/8" (40.9 cm)	N/A					
	Height	9-5/8" (24.4 cm)	N/A					
	Depth	16-1/8" (40.9 cm)	N/A					
	Overall	1.5 cu. ft.	N/A					
Cutout Width	N/A		Min.	25" (63.5 cm)				
Cutout Height	N/A		Min.	18-1/2" (46.9 cm)				
Cutout Depth	N/A		Min.	20-1/8" (51.1 cm)				
Electrical Requirements	120VAC/60 Hz (UL) 117VAC/60 Hz (CSA)		N/A					
Max. Amp Usage	1.55 KW	13.0 amps (UL)	N/A					
	1.5 KW	13 (CSA)	N/A					
Approx. Shipping Wt.	60 lbs. (27.2 kg)		20.5 lbs. (9.3 kg)	20.5 lbs. (9.3 kg)		22 lbs. (10 kg)		

CABINET OR WALL CUTOUT

Provide an opening in the wall or cabinet as indicated in illustration 1. The depth should be a minimum of 20-1/8" (51.1 cm). The floor of the opening should be constructed of plywood strong enough to support the weight of the oven (about 100 lbs.) and should be level for proper operation of the oven.

NOTE: While the proper functioning of the oven does not require that the opening be enclosed (with sides, ceiling and rear partition), this may be required by local code, and it is suggested that the local code be checked for any such requirement.

ELECTRICAL OUTLET LOCATION

Outlet should NOT be in the shaded area as indicated on illustration 1. At the rear of the opening, provide a 3-pronged, polarized, electrical outlet, 115-120 volt AC, 15 amp or larger.

EXHAUST DUCT ASSEMBLY

1. Insert the edge of DUCT (B) into the hold lip of DUCT (C). Secure together by using a SCREW (A) provided in the kit. Remove the existing screw (#1) at upper right rear of the oven and secure DUCT (C) with the screw (#1) just removed from the oven. Secure DUCT (B) with SCREW (A) through the duct and into the original screw hole in the oven. See illustration 2.

Illustration 1

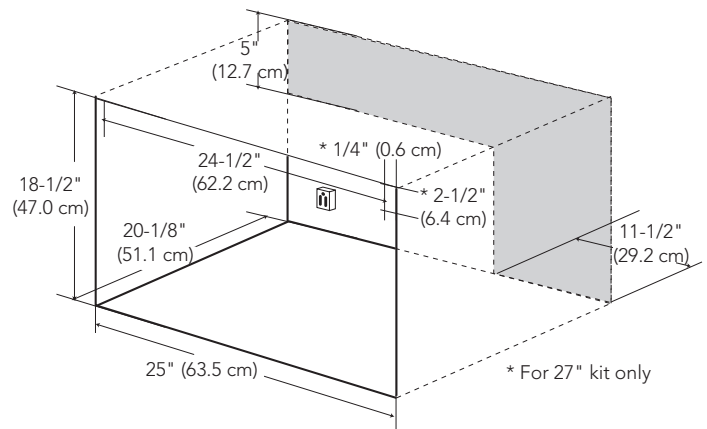
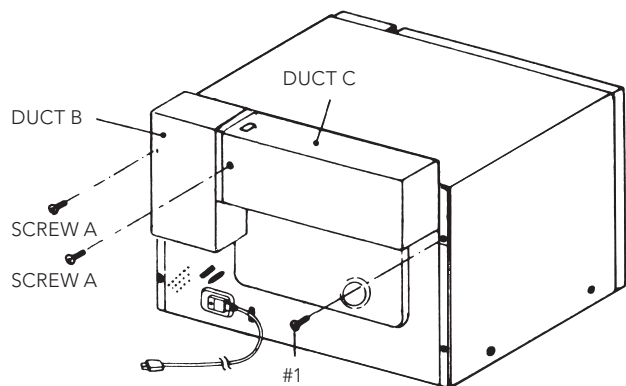


Illustration 2



EXHAUST DUCT ASSEMBLY CONT.

2. Position DUCT (A)-1 on the top of the oven inserting edge of DUCT (BC) assembly into hole lip of DUCT (A)-1. Tighten two SCREWS (A), securing DUCT (A)-1 to DUCT (BC) assembly. See illustration 3.
3. Position DUCT (A)-2 on the top of the oven and insert it into the hold lip of DUCT (A)-1. Secure DUCT (A)-2 to DUCT (A)-1 using two SCREWS (A) provided. See illustration 4.
4. Position DUCT (A)-3 on top of the oven and insert it into DUCT (A)-2. Secure DUCT (A)-3 using three screws (A) provided. See illustration 5.
5. Place the Bottom Duct in the opening. When the Bottom Duct Assembly is in the opening correctly, the flanges will be tightly against the lower edge of the opening. See Illustration 6.
6. Secure the Bottom Duct Assembly with the two (1-3/16") screws C. **IMPORTANT:** Secure screws in outer hole.

Illustration 3

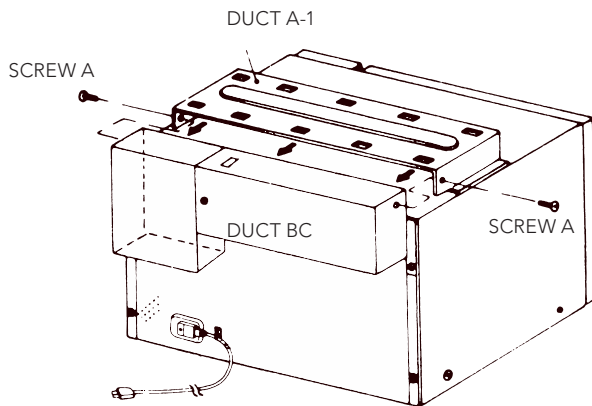


Illustration 4

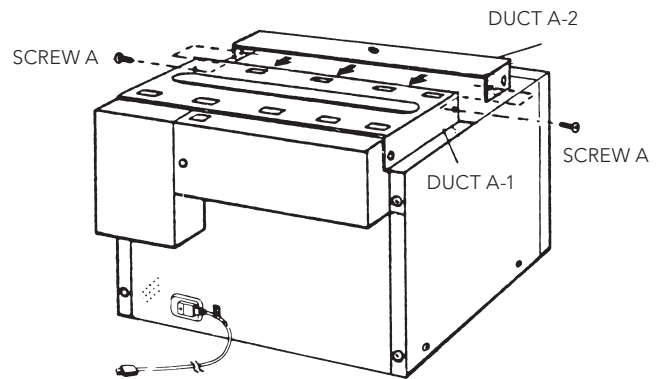


Illustration 5

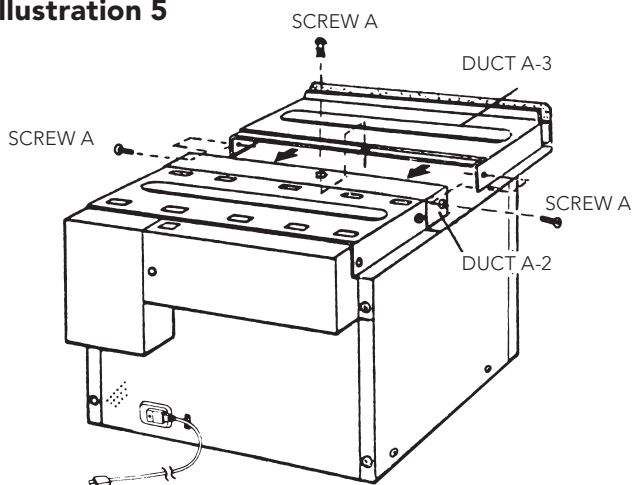
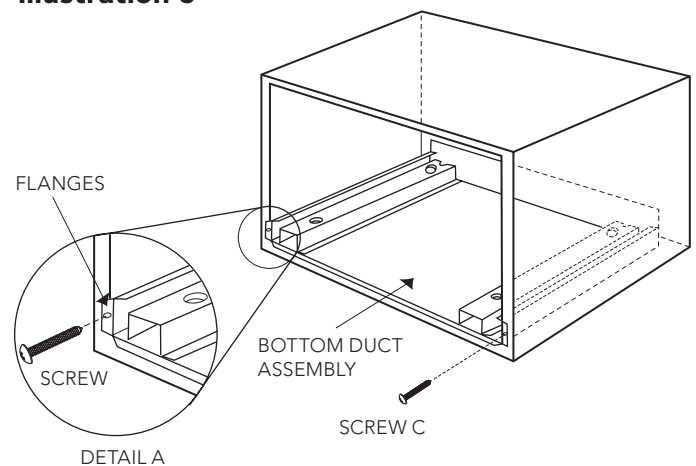


Illustration 6



CABINET INSTALLATION

1. Place the oven adjacent to the wall or cabinet opening. Plug the power cord into the electrical outlet.
2. Carefully guide the assembled oven into the prepared opening. Slide the oven on the Bottom Duct Assembly. See Illustration 7. Avoid pinching the cord between the oven and the wall. Adjust the position of the oven so that the feet of the oven are fitted into the recesses of the Bottom Duct Assembly. See Illustration 8.

Illustration 7

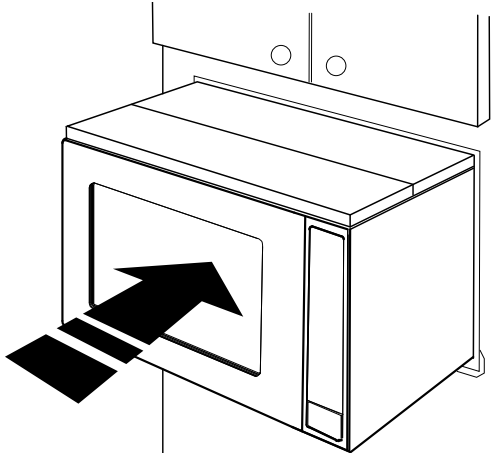
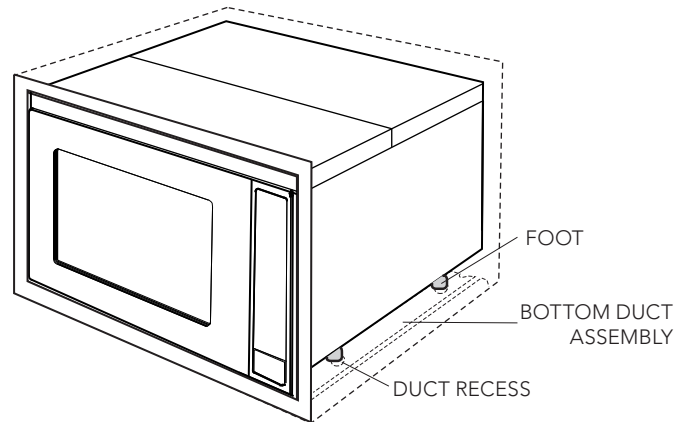


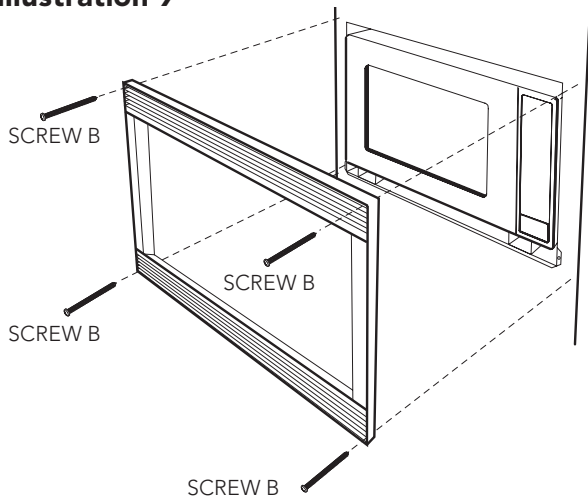
Illustration 8



FRAME INSTALLATION

Attach the builtin trim kit frame with 4 SCREW (B)s. See illustration 9.

Illustration 9

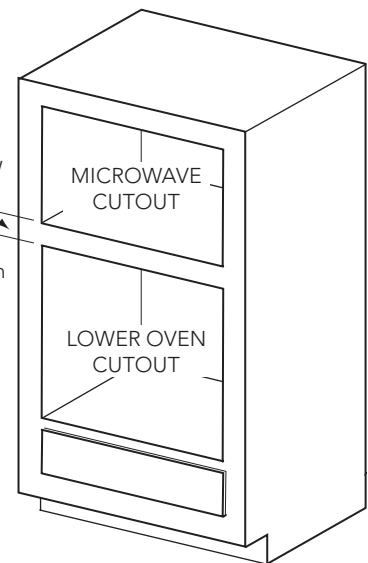


OVER OVEN INSTALLATION

Illustration 10

2" (5.1 cm)
For 27" W and 30" W
lower oven

4" (10.2 cm)
For 36" W lower oven



Viking Range Corporation
111 Front Street • Greenwood, Mississippi (MS) 38930 USA • (662) 455-1200

Specifications subject to change without notice.

For more product information, call 1-888-VIKING1 (845-4641), or visit our web site at <http://www.vikingrange.com>