



REFRIGERATION



Quiet Cool™ Built-In 42" W. Side-By-Side Refrigerator/Freezer with Dispenser

Standard Features & Accessories

All models include

- Total capacity—23.6 cu. ft. (667.9 L)
 - Refrigerator - 15.0 cu. ft.
 - Freezer - 8.6 cu. ft.
 - 84"H./24"D.
- ProChill™ Temperature Management System
 - Variable-speed DC Overdrive™ Compressor is one of the quietest, most technologically advanced compressors available
 - Electronic controls maintain the temperature selection within 1°F
 - Multi-channel airflow system and Odor Eliminator™ Evaporator removes odors and excess humidity
- Exclusive Plasmacluster™* Ion Air Purifier
 - Eliminates airborne bacteria and mold spores
 - Removes odors
 - Enhances food preservation
 - Never needs replacing
- Refrigerator Compartment
 - Four adjustable tempered glass spillproof shelves
- Adjustable Cold Zone™ drawer with precision ball-bearing glides
 - Separate temperature control can be set for produce or fresh meat storage
 - Quick chill option chills foods and beverages in minutes
- Adjustable Humidity Zone™ drawers with precision ball-bearing glides
 - Humidity can be set high for leafy greens or low for fruits and vegetables with skins
- Two in-the-door sealed dairy compartments with covers
- Four patented adjustable aluminum door bins with tempered glass fronts
- Top-shelf provides quick chill-down area
- Freezer Compartment
 - Adaptive defrost
 - Three wire shelves and two slide-out baskets
 - Three patented adjustable aluminum door bins with tempered glass fronts
- Ice/Water Dispenser
 - Through-the-door dispenser provides cubed ice, crushed ice and water in easy on-hand operation
 - Premium water filter provides cleaner water and ice supply by filtering bad tastes, odors, sediment and harmful contaminants.
- Super Clog-Resistant™ Condenser is maintenance-free under normal use
- Tru-Flush™ design
 - Allows Professional Integrated and Custom Panel models to fit flush into 24" deep installation cutout
- Open door alarm sounds and glows to warn that door has been ajar for three minutes
- Adjustable door stops standard—90°, 110°, or 120° swing
- Sabbath Mode

*Plasmacluster is a registered trademark of Sharp Corporation.

Model Options



VCSB542D/VISB542D
Professional/Integrated



DDSB542D
Designer



DFSB542D
Custom Panel

FINISH DETAILS FOR VCSB/VISB MODEL

- Stainless Steel (SS), Black (BK), White (WH), Metallic Silver (MS), Graphite Gray (GG), Stone Gray (SG), Taupe (TP), Biscuit (BT), Cotton White (CW), Oyster Gray (OG), Golden Mist (GM), Lemonade (LE), Sage (SA), Mint Julep (MJ), Sea Glass (SE), Iridescent Blue (IB), Viking Blue (VB), Pumpkin (PM), Racing Red (RR), Apple Red (AR), Burgundy (BU), Plum (PL), Chocolate (CH), and Cobalt Blue (CB).
- Finish codes designate door fronts. Stainless steel upper grille, side trim, and handles (with chrome-plated brackets); black lower kickplate.
- Brass Accent Option (BR)—nameplate and handle endcaps. Brass components have a durable protective coating for maintenance-free normal use.

FINISH DETAILS FOR DDSB MODEL

- Stainless Steel (SS), Black (BK), White (WH), Metallic Silver (MS), Graphite Gray (GG), Stone Gray (SG), Taupe (TP), Biscuit (BT), Cotton White (CW), Oyster Gray (OG), Golden Mist (GM), Lemonade (LE), Sage (SA), Mint Julep (MJ), Sea Glass (SE), Iridescent Blue (IB), Viking Blue (VB), Pumpkin (PM), Racing Red (RR), Apple Red (AR), Burgundy (BU), Plum (PL), Chocolate (CH), and Cobalt Blue (CB).
- Finish codes designate door fronts. Stainless steel upper grille, side trim, and handles; black lower kickplate.

FINISH DETAILS FOR DFSB MODEL

- Handles not included—opt for custom handles, or purchase a Viking Professional Series or Designer Series handle kit (see **Installation Notes & Accessories**).
- See **Custom Panels** section for more information and additional specifications.

ORDERING INSTRUCTIONS

First specify model number, and then color code (VCSB542D**SS**). If ordering optional brass accent, specify code at end (VCSB542D**SSBR**).





VIKING
designer

REFRIGERATION

Quiet Cool™ Built-In 42" W. Side-By-Side Refrigerator/Freezer with Dispenser



★ Please see Installation Notes & Accessories for important information, including panel and handle kits, and water filters.



ALL MODELS

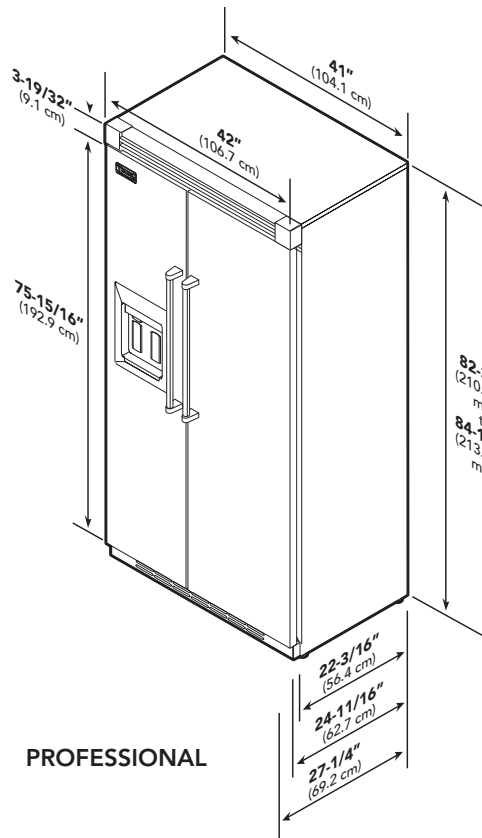
Star-K Kosher Certification for use on the Jewish Sabbath or Jewish holidays

Dimensions & Specifications

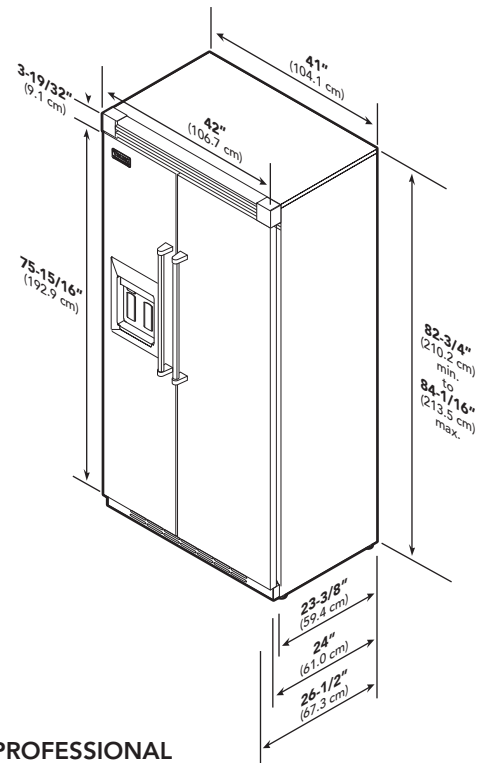
PRODUCT DIMENSIONS



VCSB542D/VISB542D
Professional/Professional
Integrated



PROFESSIONAL



PROFESSIONAL
INTEGRATED

	VCSB542D	VISB542D
Overall width	42" (106.7 cm)	
Overall height (from bottom)	82-3/4" (210.2 cm) min. to 84-1/16" (213.5 cm) max.	
Overall depth (from rear)		
To front edge of side trim	22-3/16" (56.4 cm)	23-3/8" (59.4 cm)
To front of top grille	24-11/16" (62.7 cm)	24" (61.0 cm)
To front of handle	27-1/4" (69.2 cm)	26-1/2" (67.3 cm)
Approx. ship weight	676 lbs. (304.2 kg)	





VIKING
designer

REFRIGERATION

Quiet Cool™ Built-In 42"W. Side-By-Side Refrigerator/Freezer with Dispenser



★ Please see Installation Notes & Accessories for important information, including panel and handle kits, and water filters.



ALL MODELS

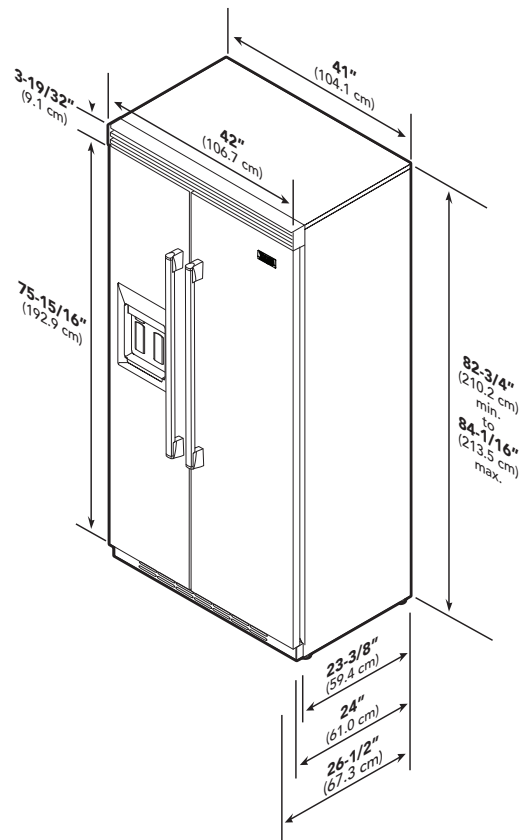
Star-K Kosher Certification for use on the Jewish Sabbath or Jewish holidays

Dimensions & Specifications

PRODUCT DIMENSIONS



DDSB542D
Designer



DDSB542D

Overall width	42" (106.7 cm)
Overall height (from bottom)	82-3/4" (210.2 cm) min. to 84-1/16" (213.5 cm) max.
Overall depth (from rear)	
To front edge of side trim	23-3/8" (59.4 cm)
To front of top grille	24" (61.0 cm)
To front of handle	26-1/2" (67.3 cm)
Approx. ship weight	676 lbs. (304.2 kg)





REFRIGERATION

Quiet Cool™ Built-In 42"W. Side-By-Side Refrigerator/Freezer with Dispenser



★ Please see **Installation Notes & Accessories** for important information, including panel and handle kits, and water filters.



Star-K Kosher Certification for use on the Jewish Sabbath or Jewish holidays

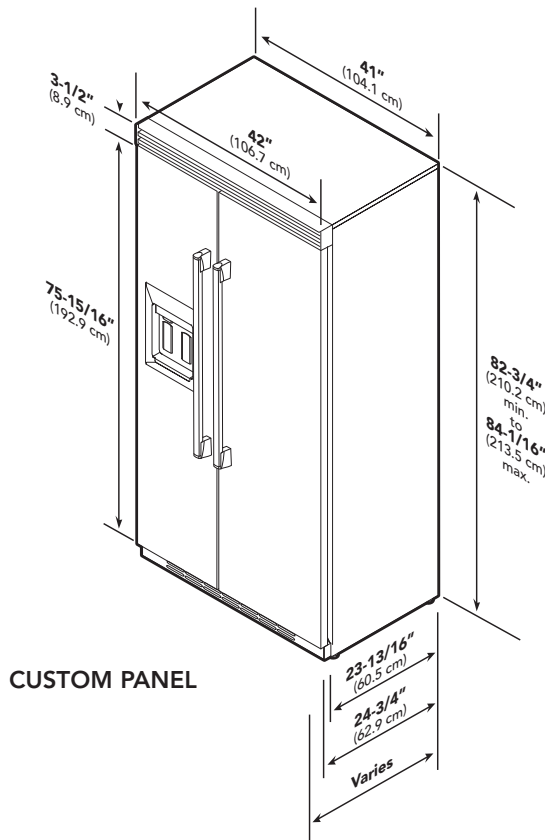
Dimensions & Specifications

PRODUCT DIMENSIONS



DFS542D
Custom Panel

See **Custom Panels** section for more information and additional specifications.



CUSTOM PANEL

DFS542D	
Overall width	42" (106.7 cm)
Overall height (from bottom)	82-3/4" (210.2 cm) min. to 84-1/16" (213.5 cm) max.
Overall depth (from rear)	
To front edge of side trim	23-13/16" (60.5 cm)
To front of top grille	24-3/4" (62.9 cm)
To front of handle	Varies
Approx. ship weight	525 lbs. (236.2 kg)





REFRIGERATION

Quiet Cool™ Built-In 42"W. Side-By-Side Refrigerator/Freezer with Dispenser



Dimensions & Specifications

DOOR SWING

- Adjustable door stops standard—90°, 110°, or 120° swing



VCSB542D/VISB542D
Professional/Professional
Integrated

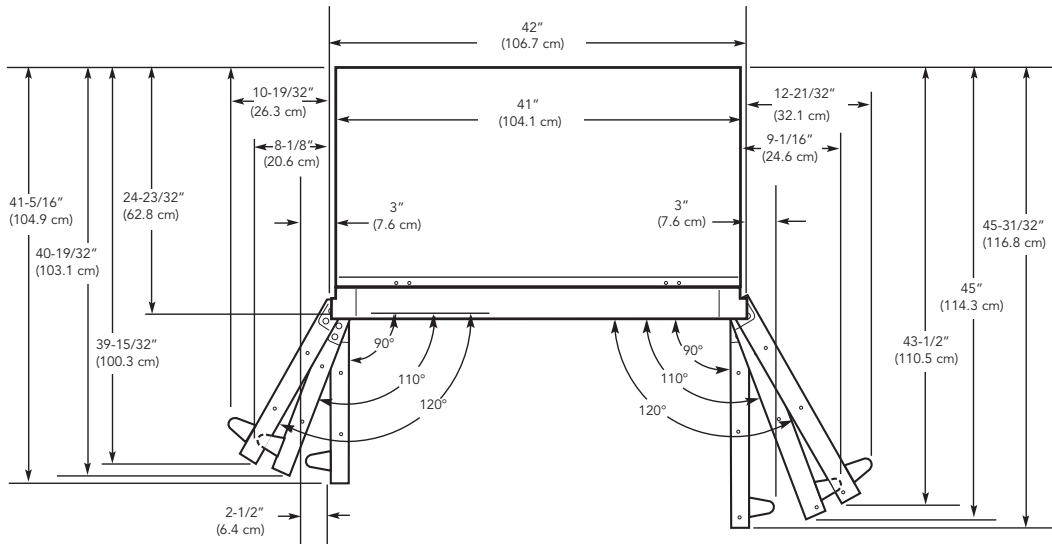


DDSB542D
Designer

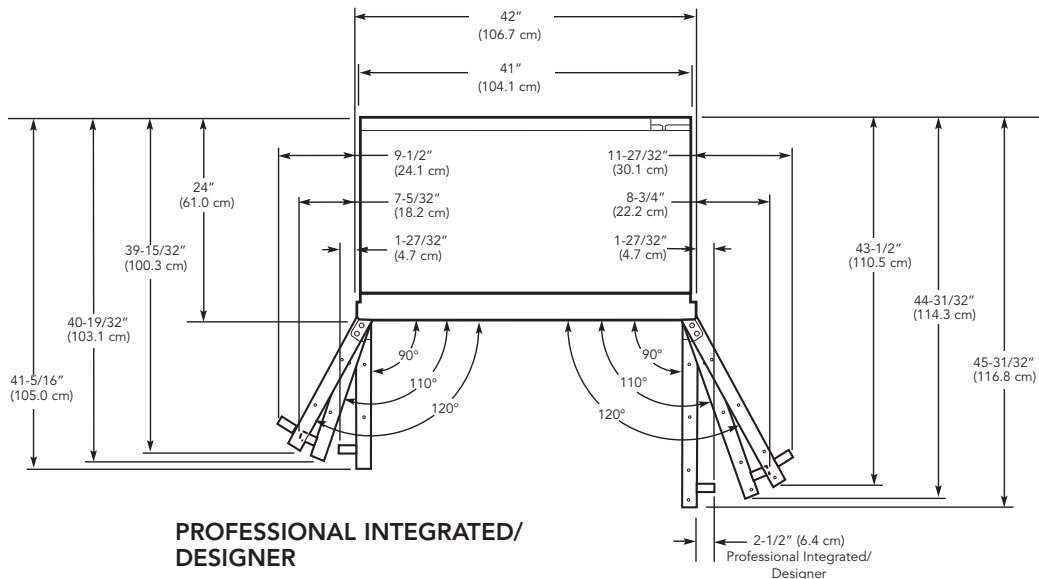


DFSB542D
Custom Panel

See **Custom Panels** section for more information and additional specifications.



PROFESSIONAL



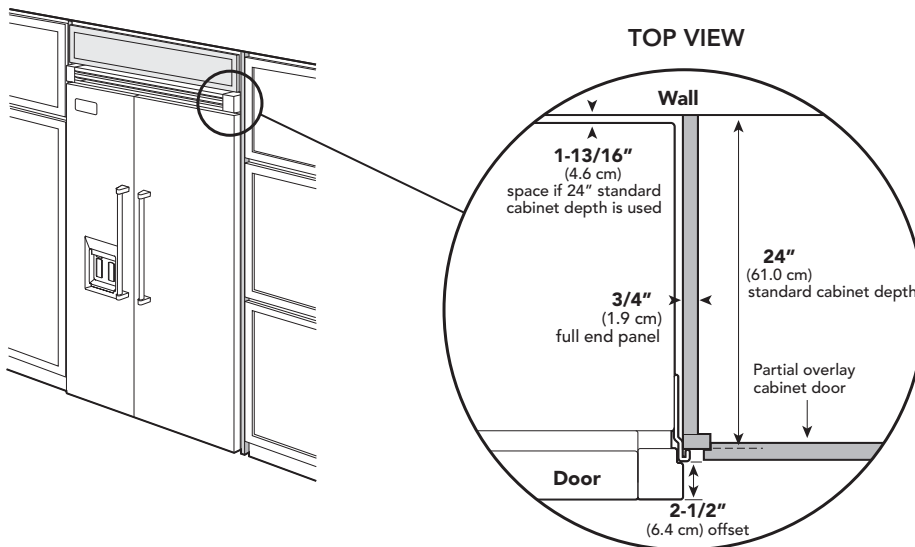
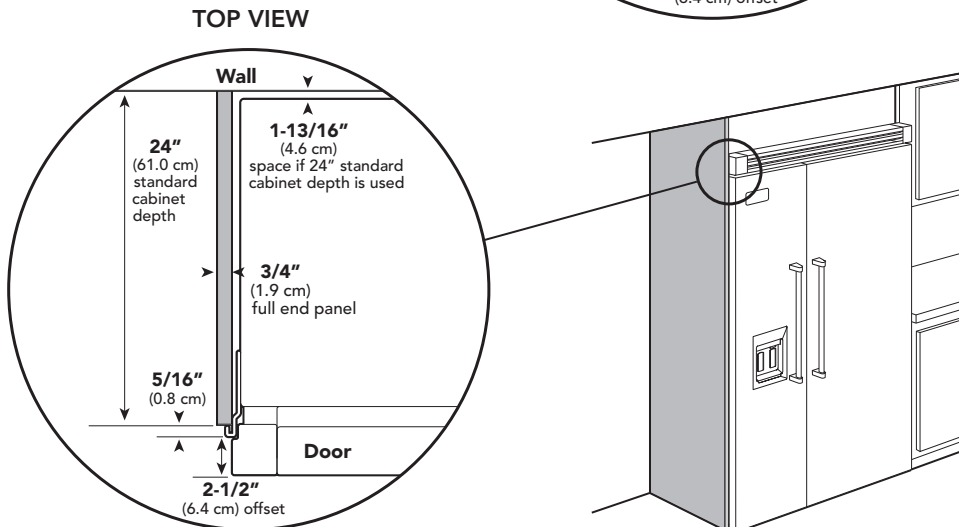
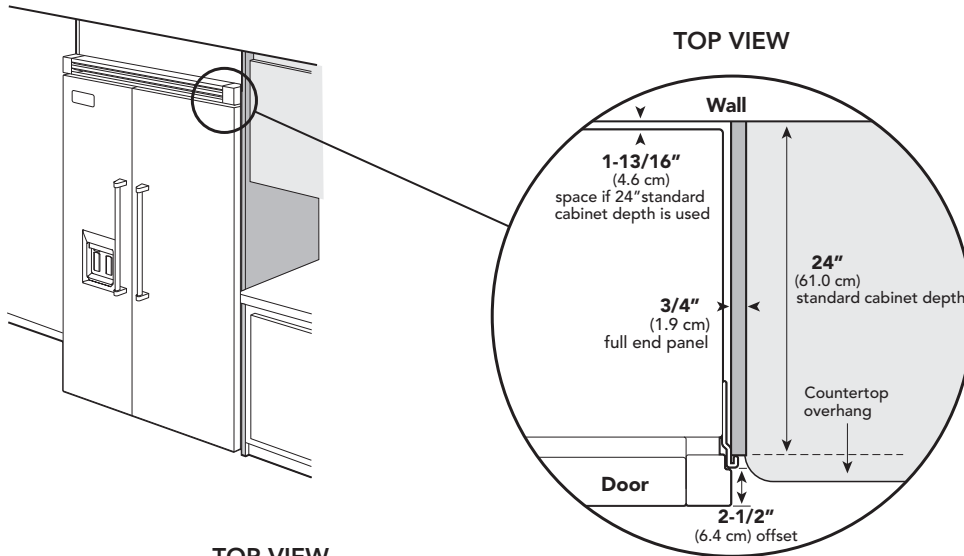
**PROFESSIONAL INTEGRATED/
DESIGNER**





Dimensions & Specifications

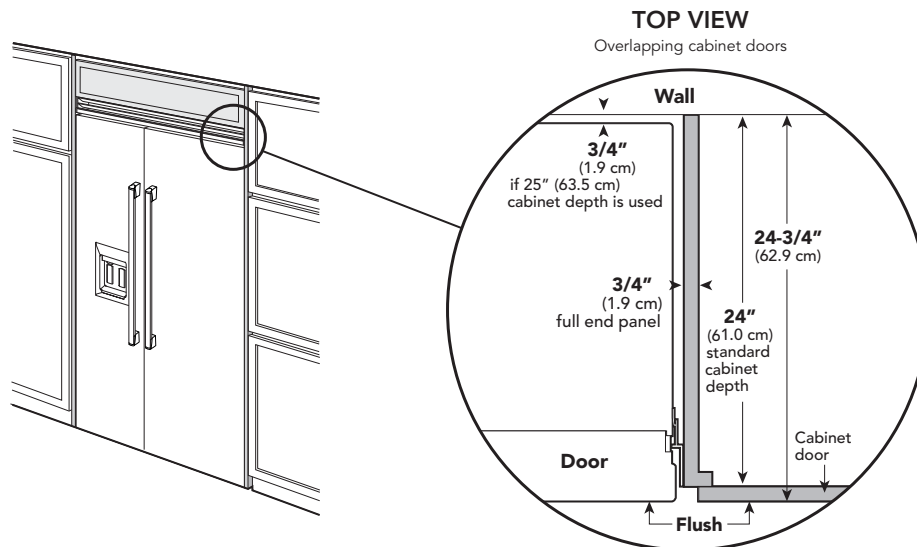
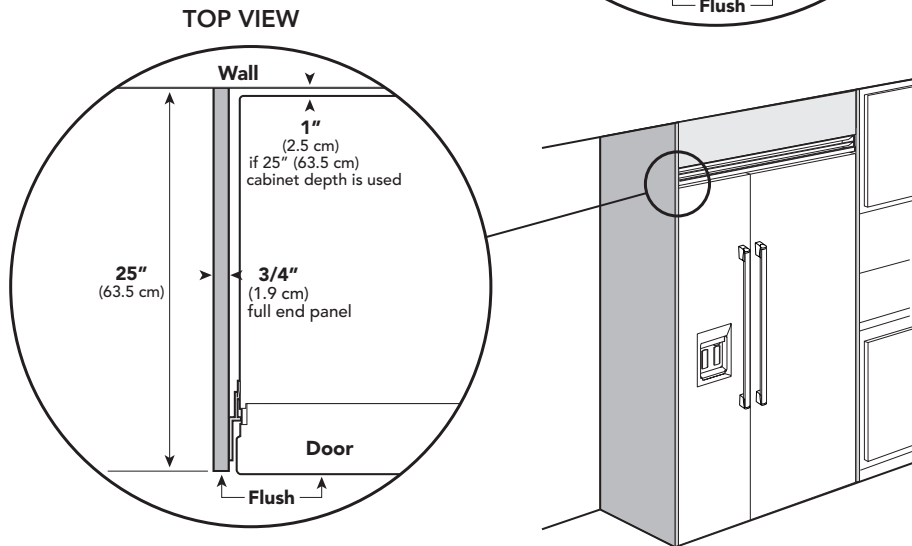
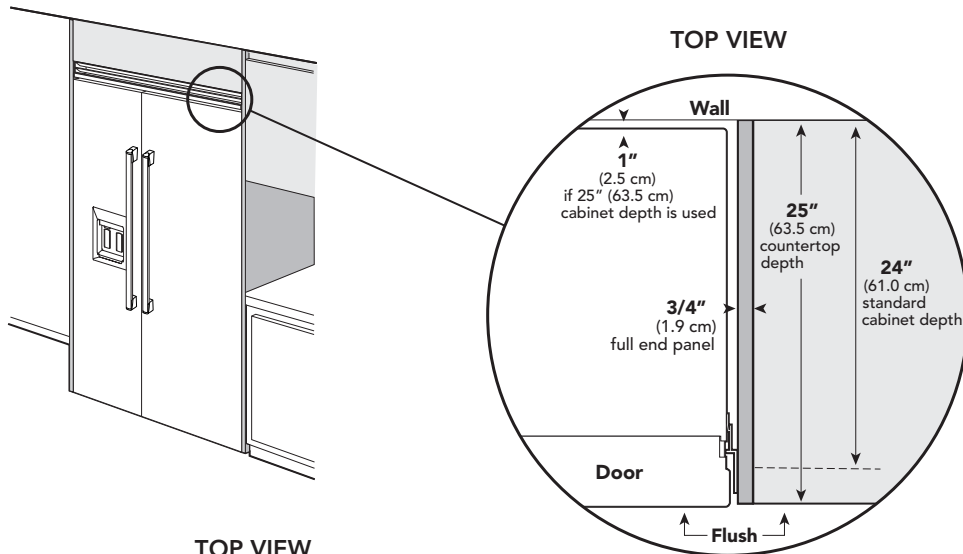
CLEARANCE DIMENSIONS—PROFESSIONAL





Dimensions & Specifications

CLEARANCE DIMENSIONS—PROFESSIONAL INTEGRATED/DESIGNER





UTILITY REQUIREMENTS



GAS
Not applicable



- ELECTRICAL**
- Three-wire cord with grounded three-prong plug attached to product
 - 115 VAC 60 Hz; 15 amp dedicated circuit
 - Maximum amp usage—9.9
 - Estimated energy usage—694 kWh/year



- PLUMBING**
- Inlet waterline requirements—1/4" copper tubing
 - 35 psi min.; 120 psi max.

Installation Requirements

ACCESS REQUIREMENTS



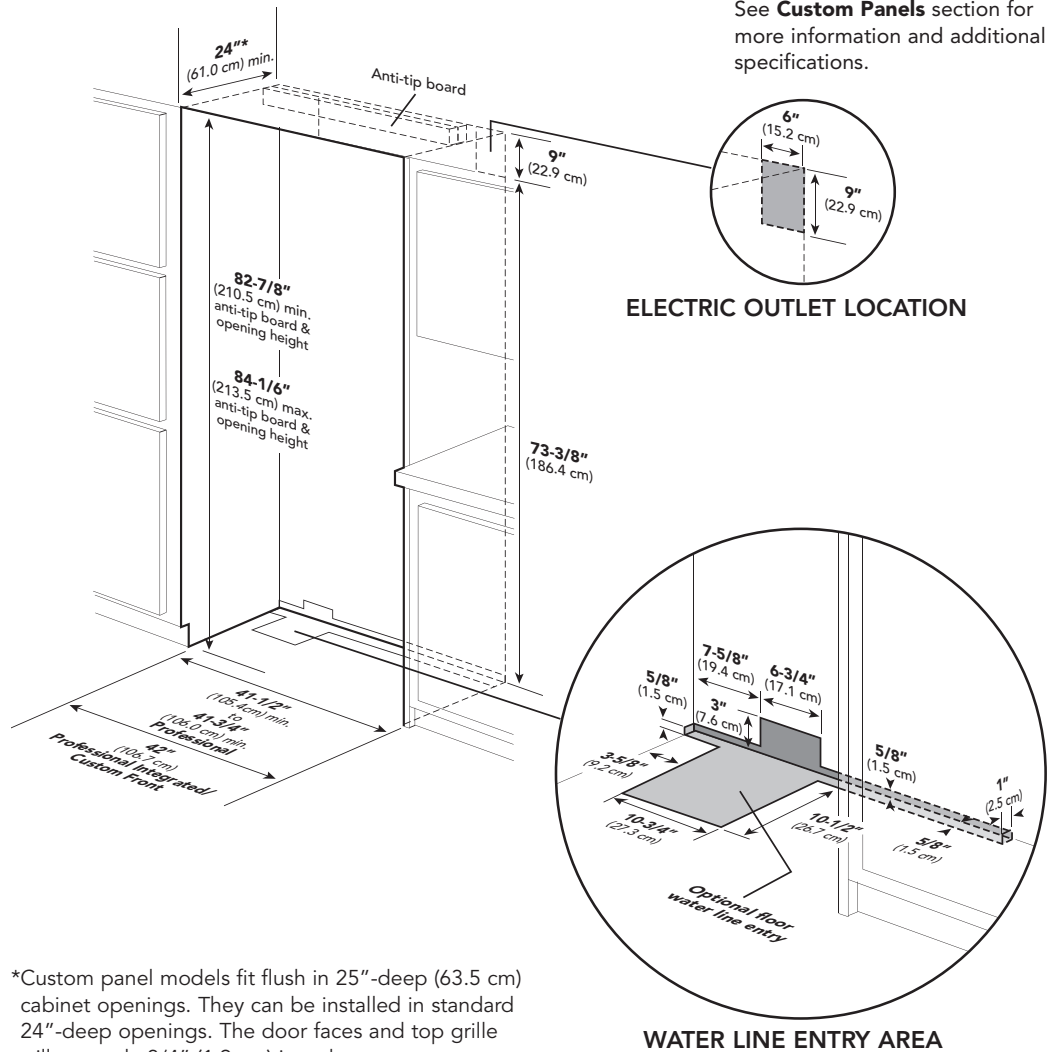
VCSB542D/VISB542D
Professional/Professional Integrated



DDSB542D
Designer



DFSB542D
Custom Panel



*Custom panel models fit flush in 25"-deep (63.5 cm) cabinet openings. They can be installed in standard 24"-deep openings. The door faces and top grille will protrude 3/4" (1.9 cm) into the room.

	VCSB542D	VISB542D/DDSB542D	DFSB542D
Cutout width	41-1/2" (105.4 cm) min. to 41-3/4" (106.0 cm) max.	42" (106.7 cm)	42" (106.7 cm)
Cutout height	82-7/8" (210.5 cm) min. to 84-1/16" (213.5 cm) max.		
Cutout depth	24" (61.0 cm) min.*		



★ Installation Notes & Accessories

Side Panel Kits

- Stainless Steel (SS)
- Panels provide finished, freestanding look; unit must still be secured to the wall
- Kit includes one panel and installation hardware

Model	Description	Approx. ship wt. lbs. (kg)
PSSPL2	Professional side panel left (VCSB)	45 (20.2)
PSSPR2	Professional side panel right (VCSB)	45 (20.2)
DSSPL2	Designer side panel left (VISB/DDSB/DFSB)	45 (20.2)
DSSPR2	Designer side panel right (VISB/DDSB/DFSB)	45 (20.2)

Side Panel Hardware Kit

- For use with Designer built-in refrigerator/freezers
- Hardware allows installation of custom side panels
- Kit includes brackets, screws, and installation instructions to mount panels on left and right side

Model	Description	Approx. ship wt. lbs. (kg)
SPHKDS	Side panel hardware	3 (1.4)

Top Panel Kit

- Stainless Steel (SS)
- Panel provides finished, freestanding look; unit must still be secured to the wall
- Kit includes one panel and installation hardware

Model	Description	Approx. ship wt. lbs. (kg)
TOP-42	42"W. top panel	23 (10.4)

Handle Kits

- For use with custom panel refrigerator/freezers
- For use on locally supplied custom panels
- Handles allow refrigerator/freezers with custom panels to coordinate with other Professional and Designer products
- Kit includes two handles and installation hardware

Model	Description	Approx. ship wt. lbs. (kg)
PHK-DFSB5-SS	Professional handles (Stainless Steel)	10 (4.5)
DDHK-DFSB5-SS	Designer handles (Stainless Steel)	10 (4.5)

Replacement Water Filter

- Reduces sediment, taste, and odor
- Reduces cysts, particulates, turbidity, lead, chlorine, atrazine, and lindane
- NSF-certified
- Ready to install—no assembly required
- Replacement recommended every nine months

Model	Description	Approx. ship wt. lbs. (kg)
RWF-DISP	Replacement water filter	5 (2.3)

Compliance Information



WARRANTY SUMMARY*

- Three-year full warranty—complete unit (Professional)
- Two-year full warranty—complete unit (Designer)
- Six-year full warranty—sealed refrigeration system
- Twelve-year limited warranty—sealed refrigeration system (includes compressor, condenser, dryer/strainer, evaporator, and connecting tubing)
- Ninety-day limited warranty—cosmetic parts such as glass, painted, and decorative items (Professional and Designer)

*For complete warranty see *Use & Care Guide*. Warranty valid on Viking products shipped within the United States and Canada.

