

# Viking Installation Guide

## IMPORTANT—Please Read and Follow!

- Please read all instructions thoroughly before installing the Built-In Microwave Hood. Two people are recommended to install this product.
- If a new electrical outlet is required, its installation should be completed by a qualified electrician before the Built-In Microwave Hood is installed. See **ELECTRICAL GROUNDING INSTRUCTIONS** on page 2.

## Unpacking and Examining Your Oven

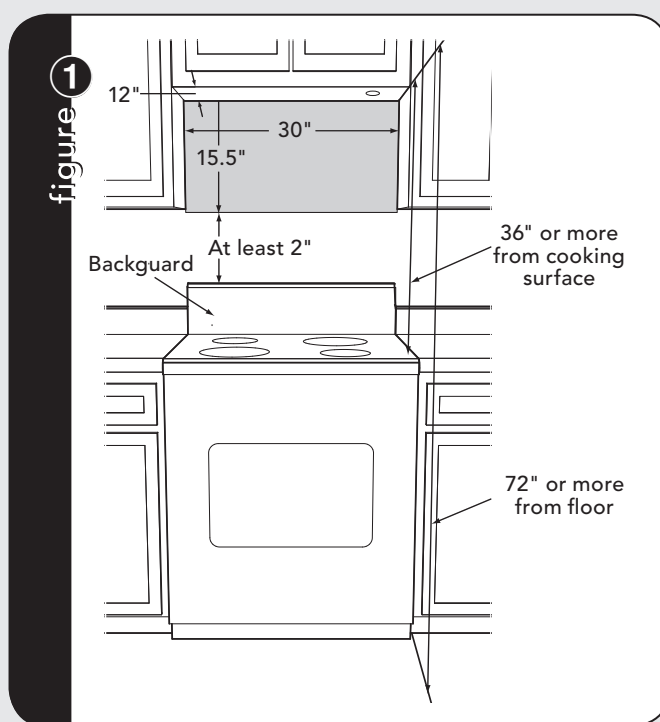
Open the bottom of the carton, bend the carton flaps back and tilt the oven over to rest on plastic foam pad. Lift carton off oven and remove all packing materials, Wall and Top Cabinet Template, Turntable, and Turntable Support. **SAVE THE CARTON AS IT MAY MAKE INSTALLATION EASIER.**

- Remove the feature sticker from the outside of the door, if there is one.
- **DO NOT REMOVE THE WAVEGUIDE COVER**, which is located on the right side wall of the oven cavity. Check to see that there is a Wall **TEMPLATE** and Top **CABINET** Template. Read enclosures and **SAVE** the Use and Care manual.

Check the oven for any damage, such as misaligned or bent door, damaged door seals and sealing surfaces, broken or loose door hinges and latches and dents inside the cavity or on the door. If there is any damage, do not operate the oven and contact your dealer or Viking **AUTHORIZED SERVICER**.

## 1 Mounting Space

This Built-in Microwave Hood requires a mounting space on a wall as shown in Figure 1. It is designed to be used under standard 12" wall cabinets.



## Designer Built-In Microwave Hood

111 Front Street  
Greenwood, Mississippi 38930 USA

## 2 Wall Construction

This Built-in Microwave Hood should be mounted against and supported by a flat vertical wall. The wall must be flat for proper installation. If the wall is not flat, use spacers to fill in the gaps. Wall construction should be a minimum of 2" x 4" wood studing and 3/8" or more thick dry wall or plaster/lath. The mounting surfaces must be capable of supporting a weight of 110 pounds—the oven and contents—AND the weight of all items which would normally be stored in the top cabinet above the unit. The unit should be attached to a minimum of one 2" x 4" wall stud.

To find the location of the studs, one of the following methods may be used:

- Use a stud finder, a magnetic device which locates the nails in the stud.
- Use a hammer to tap lightly across the mounting surface to find a solid sound. This will indicate stud location.

The center of the stud can be located by probing the wall with a small nail to find the edges of the stud and then placing a mark halfway between the edges. The center of any adjacent studs will normally be 16" or 24" to either side of this mark.

## 3 ELECTRICAL GROUNDING INSTRUCTIONS

This appliance must be grounded. This oven is equipped with a cord having a grounding wire with a grounding plug. It must be plugged into a wall receptacle that is properly installed and grounded in accordance with the National Electrical Code and local codes and ordinances. In the event of an electrical short circuit, grounding reduces risk of electric shock by providing an escape wire for the electric current.

**WARNING:** *Improper use of the grounding plug can result in a risk of electric shock.*

## ELECTRICAL REQUIREMENTS

The oven is equipped with a 3-prong grounding plug. **DO NOT UNDER ANY CIRCUMSTANCES CUT OR REMOVE THE GROUNDING PIN FROM THE PLUG.**

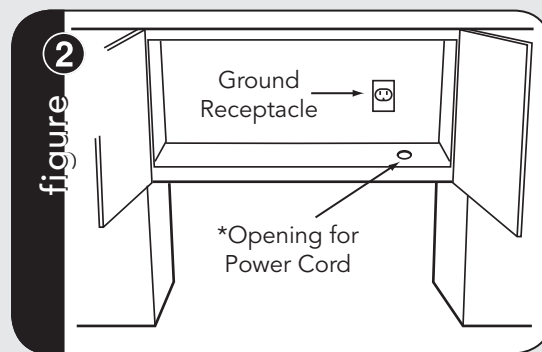
**DO NOT USE AN EXTENSION CORD.**

If the power supply cord is too short, have a qualified electrician or serviceman install an outlet near the appliance.

The Power Supply Cord and plug must be connected to a separate 120 Volt AC, 60 Hz, 15 Amp, or more branch circuit, single grounded receptacle. The receptacle should be located inside the cabinet directly above the Built-in Microwave Hood mounting location as shown in figure 2.

### NOTE:

- If you have any questions about the grounding or electrical instructions, consult a qualified electrician or serviceperson.
- Neither Viking nor the dealer can accept any liability for damage to the oven or personal injury resulting from failure to observe the correct electrical connection procedures.



**IMPORTANT:** \* Power cord opening for metal cabinets: Deburr opening to remove rough edges.

## RADIO OR TV INTERFERENCE

Should there be any interference caused by the Built-in Microwave Hood to your radio or TV, check that the oven is on a different electrical circuit, relocate the radio or TV as far away from the oven as feasible or check position and signal of receiving antenna.

## 4 Hood Exhaust Duct

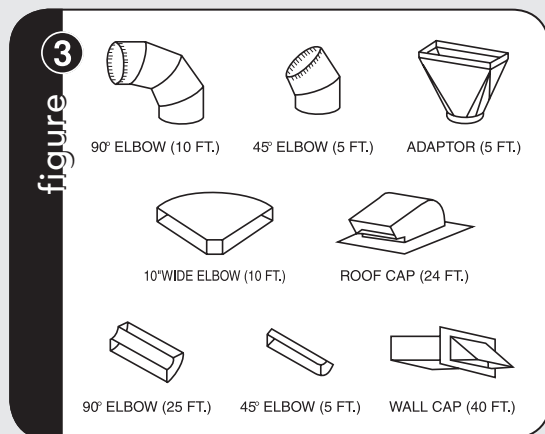
When the hood is vented to the outside, a hood exhaust duct is required. All ductwork must be metal; absolutely do not use plastic duct. Check that all connections are made securely. Please read the following carefully:

**EXHAUST CONNECTION:** The hood exhaust has been designed to connect to a standard 3-1/4" x 10" rectangular duct. If round duct is required, a rectangular-to-round adaptor must be used.

**REAR EXHAUST:** If a rear or horizontal exhaust is to be used, care should be taken to align the exhaust with the space between the studs, or wall should be prepared at the time it is constructed by leaving enough space between wall studs to accommodate exhaust.

**MAXIMUM DUCT LENGTH:** For satisfactory air movement, the total duct length of 3-1/4" x 10" rectangular or 6" diameter round duct should not exceed 140 feet.

Elbows, adapters, wall caps, roof caps, etc. present additional resistance to air flow and are equivalent to a section of straight duct which is longer than their actual physical size. When calculating the total length, add the equivalent lengths of all transitions and adapters plus the length of all straight duct sections. Figure 3 shows the approximate feet of equivalent length of some typical ductwork parts. Use the values in parentheses for calculating air flow resistance equivalent, which should total less than 140 feet.



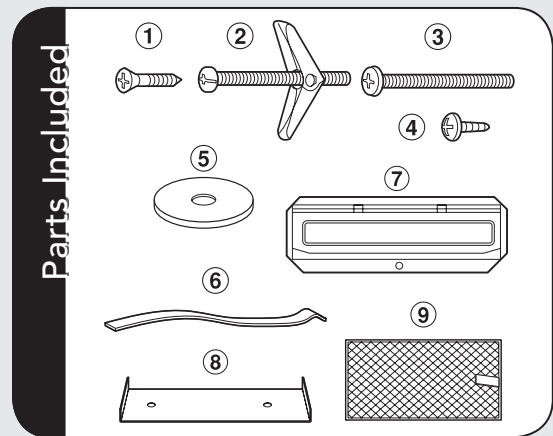
## 5 Tools Recommended for Installation

- Phillips Screwdriver
- Electric Drill
- Scissors
- Saw to cut exhaust opening (if needed)
- Pencil
- Measure
- Tape
- 1/2", 5/8" and 3/32" Drill Bits

## 6 Installation Hardware

The INSTALLATION HARDWARE items ① - ⑤ are in a small bag. Items ⑥ - ⑨ are packed separately. All items are in a small carton packed below the oven.

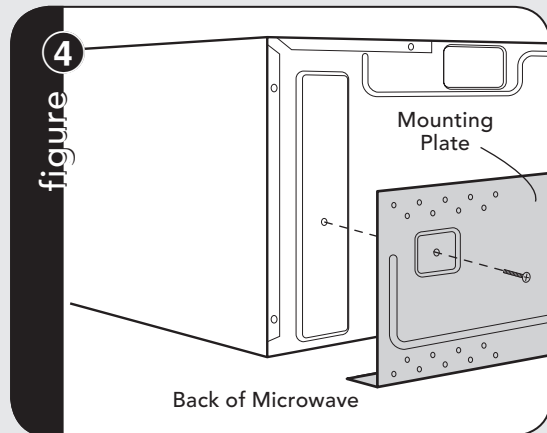
Item	Part Name & Code	QTY
①	Wood Screw 5 X 35 mm	4
②	Toggle Bolt with nuts #10 - 24 x 50 mm	4
③	Top Cabinet Screw 5 x 85 mm	2
④	Tapping Screw 4 x 12 mm	1
⑤	Flat Washer 30 mm diameter	2
⑥	Rear Cushion	1
⑦	Exhaust Damper Assembly	1
⑧	Scale Plate	2
⑨	Grease Filter	2



Parts shown not to common scale.

## 7 Preparation of the Oven

Separate mounting plate from oven by removing two screws. See illustration below. Save these screws for use in section **Mounting Oven to Wall**, figure 23.



## 8 Ventilation System (Preparing Oven for Installation)

This Built-in Microwave Hood is designed for adaptation to three types of hood ventilation systems. Select the type required for your installation.

**RECIRCULATING** — non-vented, ductless.

Follow installation procedure (A). Recirculating requires the use of the Charcoal Filter, which has already been installed in the oven.

**HORIZONTAL EXHAUST** — outside ventilation.

Follow installation procedure (B).

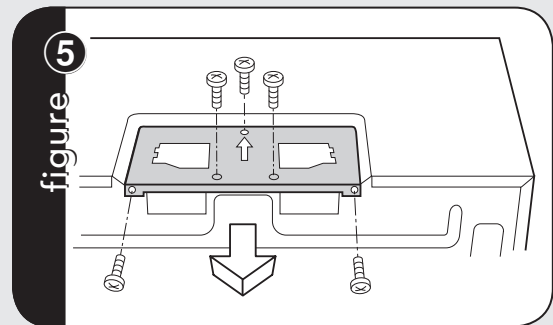
**VERTICAL EXHAUST** — outside ventilation.

Follow installation procedure (C).

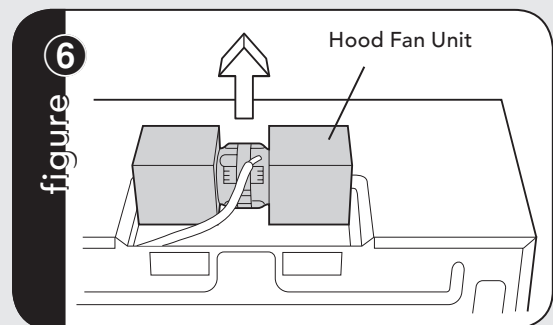
### (A) Recirculating: Non-Vented, Ductless Operation

- The unit is shipped assembled for recirculating.
- The Exhaust Damper Assembly ⑦ is NOT REQUIRED for recirculating operation.

### (B) Horizontal Exhaust: Outside Ventilation

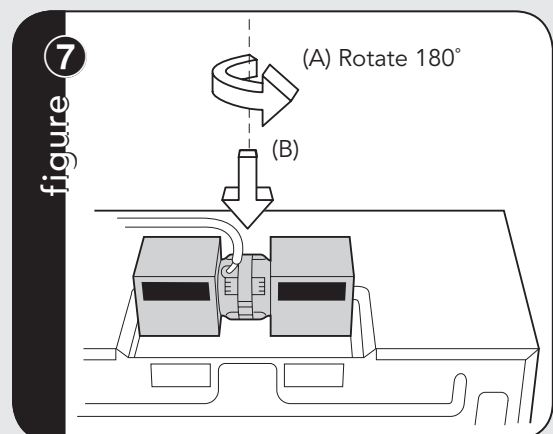


1) **HORIZONTAL EXHAUST:** Remove 2 screws from back edge and 3 screws from the top center of Fan Cover Bracket. Save 2 screws to be used later and discard remaining 3. Remove Fan Cover Bracket by sliding it in the opposite direction of the arrow on the Fan Cover Bracket.



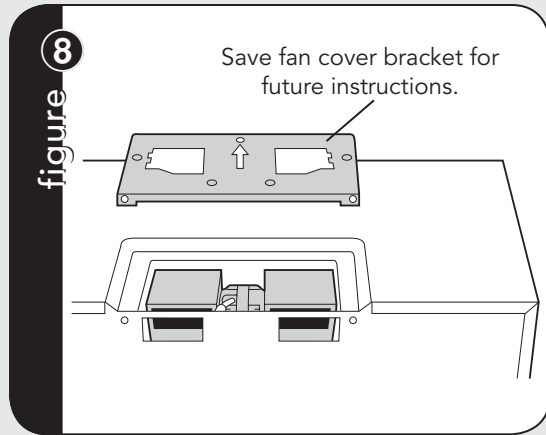
2) **HORIZONTAL EXHAUST:** Lift Hood Fan Unit carefully and slip wires out of cavity.

- **CAUTION:** Do not pull or stretch hood fan wiring.

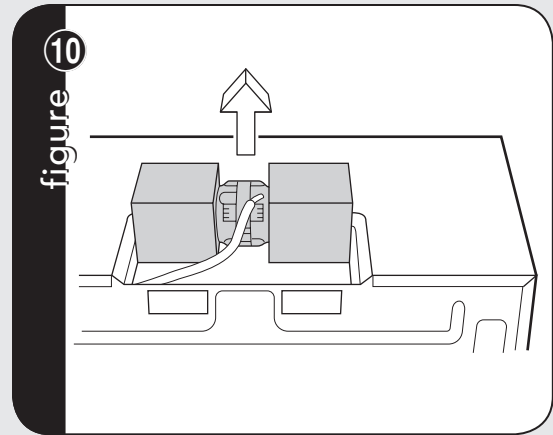


3) **HORIZONTAL EXHAUST:** Rotate the Hood Fan Unit 180° so that the fan blade openings are facing the back of the oven. See Figure 7 (A). Replace Hood Fan Unit into the oven. Be careful not to pinch the wire and the Hood Fan Unit. See Figure 7 (B).

## 8 Ventilation System (Preparing Oven for Installation)



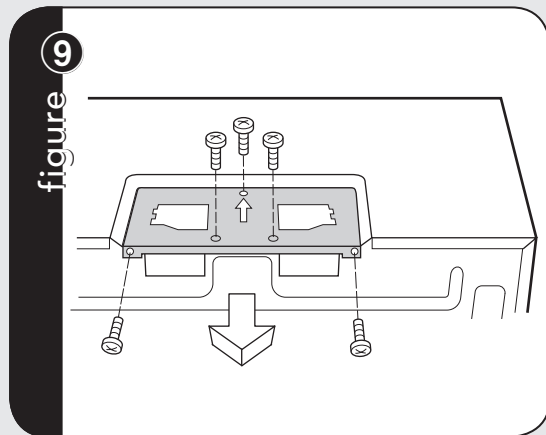
4) HORIZONTAL EXHAUST: Put the wire back into the cavity. The Fan Cover Bracket and Exhaust Damper Assembly are mounted to the wall. Follow instructions on WALL TEMPLATE provided.



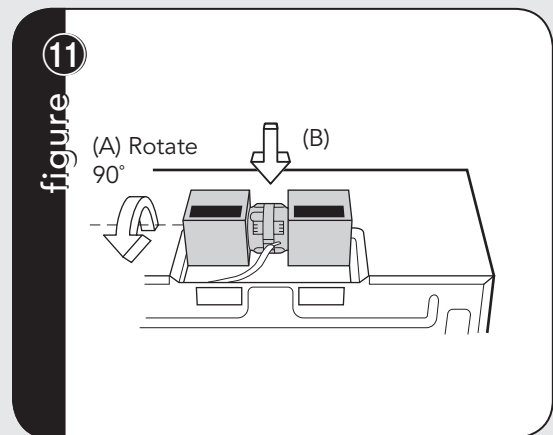
2) VERTICAL EXHAUST: Lift Hood Fan Unit carefully and slip wires out of cavity.

- **CAUTION:** Do not pull or stretch hood fan wiring.

### (C) Vertical Exhaust: Outside Ventilation



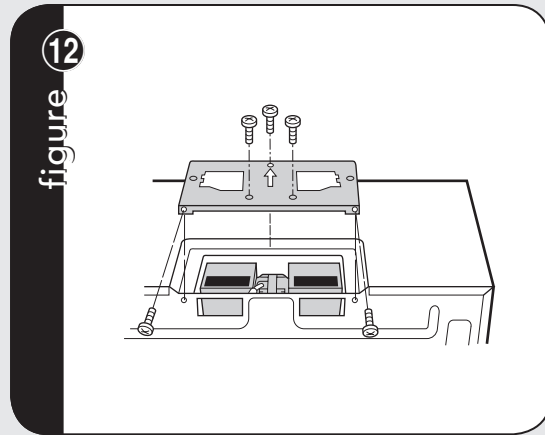
1) VERTICAL EXHAUST: Remove and save 2 screws from back edge and 3 screws from the top center of the Fan Cover Bracket. Remove Fan Cover Bracket by sliding it in the opposite direction of the arrow on the Fan Cover Bracket.



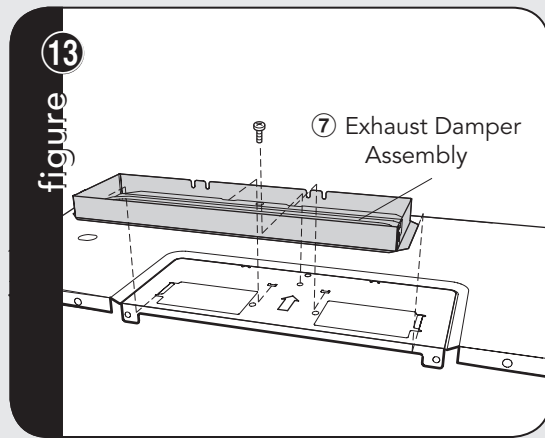
3) VERTICAL EXHAUST: Rotate the Hood Fan Unit 90° so that the fan blade openings are facing the top of the oven. See (A). Replace Hood Fan Unit into the oven. Be careful not to pinch the lead wire between the inner bracket and the Hood Fan Unit. Put the lead wire into Wire Box. See (B).

Replace the Fan Cover Bracket by sliding it into the slits in the same direction as the arrow on the Fan Cover Bracket. Make sure the fan blades are visible through the top openings in the oven before proceeding.

## 8 Ventilation System (Preparing Oven for Installation)



4) VERTICAL EXHAUST: Attach the Fan Cover Bracket to unit with the 2 screws from back edge and 3 screws from the top center of the Fan Cover Bracket, which were removed in Step 1. The Hood Fan Unit is now rotated for vertical exhaust operation.



5) VERTICAL EXHAUST: Attach the Exhaust Damper Assembly to the fan cover on the top of the outcase cabinet by sliding it into the slits in the same direction as the arrow. Use 1 Tapping Screw 4 x 12 mm (4) from the INSTALLATION HARDWARE and tighten into place.

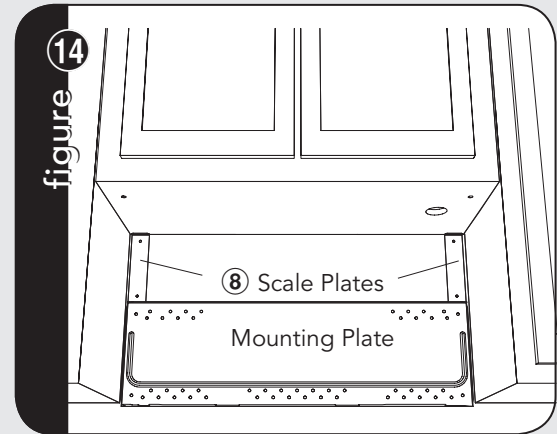
## 9 Oven Installation

THIS OVEN CANNOT BE PROPERLY INSTALLED WITHOUT REFERRING TO THE MOUNTING INSTRUCTIONS FOUND ON WALL AND TOP CABINET TEMPLATES.

The next step is to read and follow mounting information on wall and top cabinet templates. This oven must be attached to at least one wall stud. See WALL CONSTRUCTION.

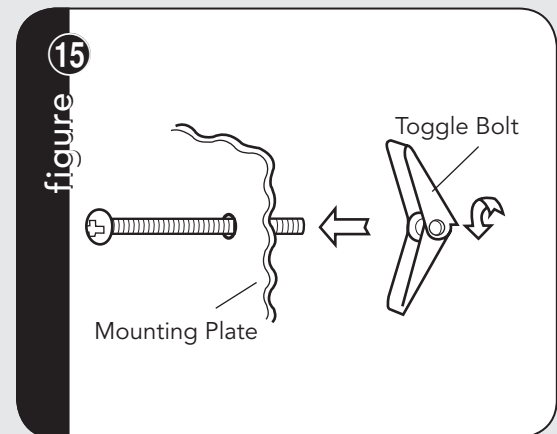
When done with templates, proceed to mounting scale plate section.

### Mounting Scale Plate



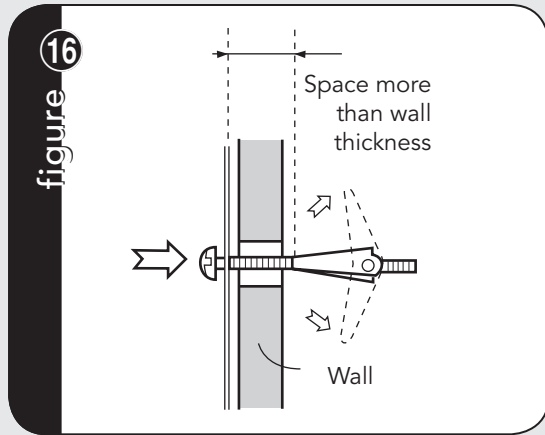
OVEN INSTALLATION: The Scale Plates are used to help locate the mounting plate. Attach 2 Scale Plates (8) with tape (not included). See Figure 14 and WALL TEMPLATE for locations. After securing the mounting plate, remove and discard the Scale Plates.

### Mounting Plate



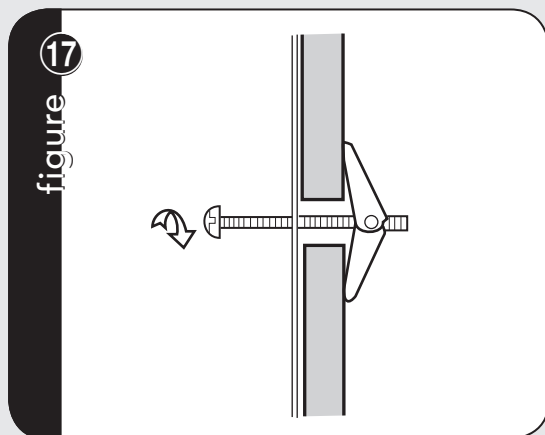
1) MOUNTING PLATE: Separate 4 Toggle Bolts (2), packed in the INSTALLATION HARDWARE, from the Toggle Nuts. Match 5/8" holes (not in studs), drilled through WALL TEMPLATE into wall to corresponding holes on Mounting Plate. Insert Toggle Bolts into matched openings on Mounting Plate. Put Toggle Nuts on Toggle Bolts.

## 9 Oven Installation



2) MOUNTING PLATE: Position the Mounting Plate with the Toggle Bolts attached at the wall location and insert Toggle Nuts and Bolts through the holes in the wall with the Toggle Nuts closed. Use Wood Screws ① to attach the Mounting Plate to studs.

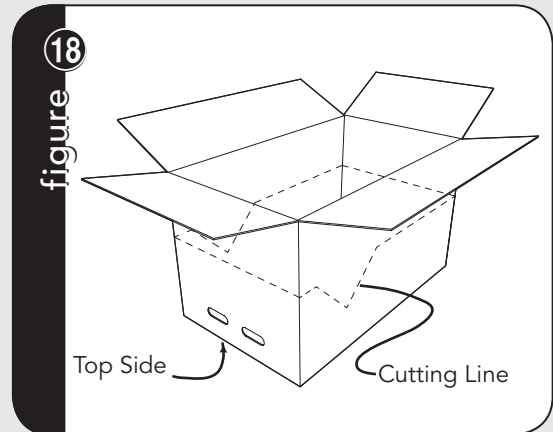
**NOTE:** Before insertion, be sure you leave a space more than the thickness of the wall between the Mounting Plate and the end of each of the Toggle Nuts (in the closed position). If you do not leave enough space, the Toggle Nut will not be able to open on the other side of the wall. Also, once a Toggle Nut opens, it cannot be withdrawn from the hole; therefore make sure all of the Toggles are in the correct position before insertion.



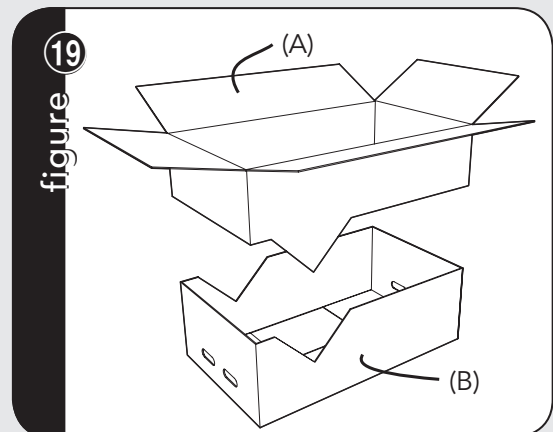
3) MOUNTING PLATE: Align the Mounting Plate carefully and hold in position while tightening Toggle Bolts. Pull Toggle Bolt toward you and turn clockwise to tighten.

## 10 Mounting Oven to the Wall

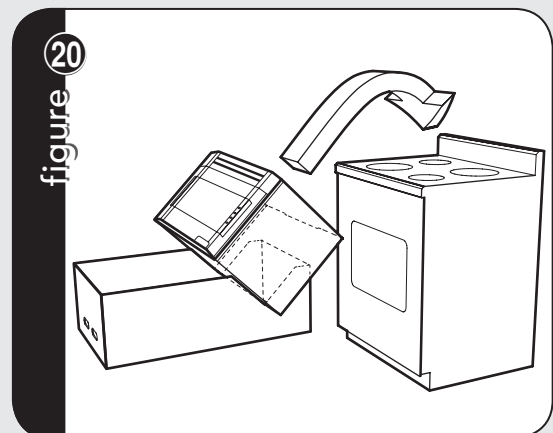
Utilization of the carton may make installation easier.



1) MOUNTING OVEN TO THE WALL: Place carton upside down.



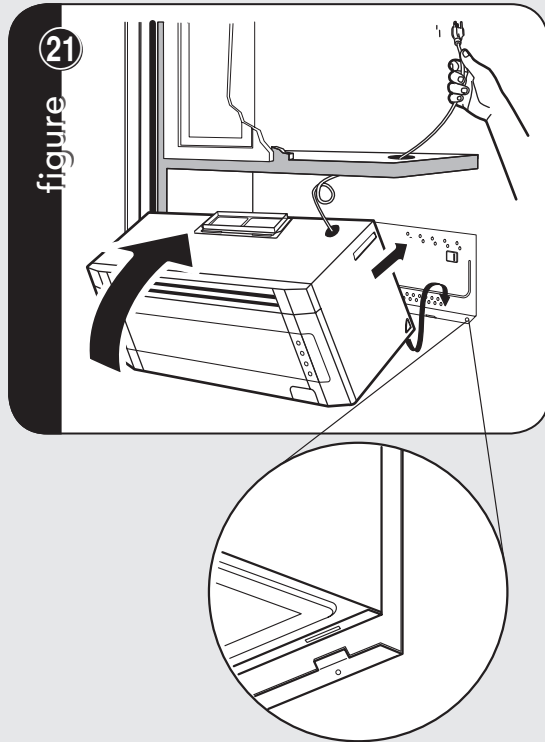
2) MOUNTING OVEN TO THE WALL: Using cutting line around the carton, cut into two pieces (A) and (B).



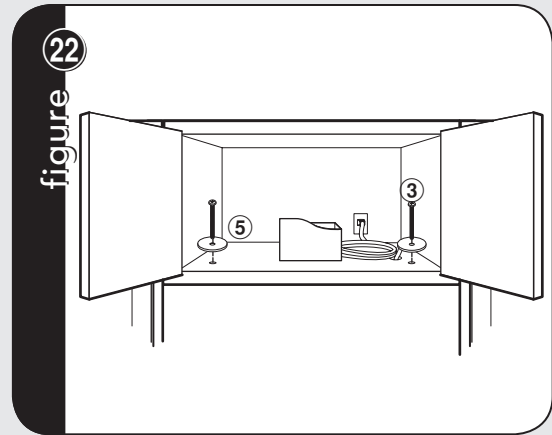
3) MOUNTING OVEN TO THE WALL: Position oven to assist in mounting to the wall.

# 10 Mounting Oven to the Wall

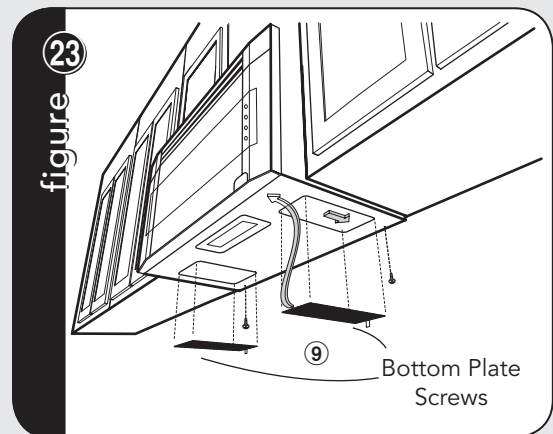
Two people are recommended to attach the Built-in Microwave Hood to the Mounting Plate.



4) MOUNTING OVEN TO THE WALL: Thread the Power Supply Cord through the hole made in the bottom of the top cabinet. Lift and tilt the oven forward. Hook the back bottom of the oven to the bottom of the Mounting Plate. Lift the front of the oven up to the bottom of the cabinet. Keep the Power Supply Cord tight to avoid interference with mounting the oven flush with the bottom of the cabinet.



5) MOUNTING OVEN TO THE WALL: Use the two Top Cabinet Screws (3) and two Flat Washers (5), supplied in the INSTALLATION HARDWARE, to attach the unit to the top cabinet. Tighten until the top of the oven is right against the bottom of the cabinet.



6) MOUNTING OVEN TO THE WALL: Attach the two Bottom Plate Screws saved from section PREPARATION OF THE OVEN, Figure 4. Install the two Grease Filters (9).



Viking Range Corporation  
111 Front Street  
Greenwood, Mississippi 38930 USA  
(662) 455-1200

For product information,  
call 1-888-VIKING1 (845-4641)  
or visit the Viking Web site at  
vikingrange.com

## Checklist for Installation

- Make sure the unit has been installed according to all of the Installation Instructions and the Wall and Top Cabinet Templates.
- Plug in the power cord.
- Keep the Use & Care Manual and Installation Manual.



# Viking Instructions d'installation

## IMPORTANT—S'il vous plaît lisez et suivez!

- Veuillez lire attentivement toutes les instructions avant d'installer le système de Micro-onde intégrée. Nous recommandons que deux personnes collaborent à l'installation de cet appareil.
- Faites appel à un électricien de métier s'il faut d'abord installer une nouvelle prise de courant pour le Micro-onde intégrée. Voir paragraph INSTRUCTIONS DE MISE À LA TERRE à la page 2.

## Déballage et Examen de Votre Four

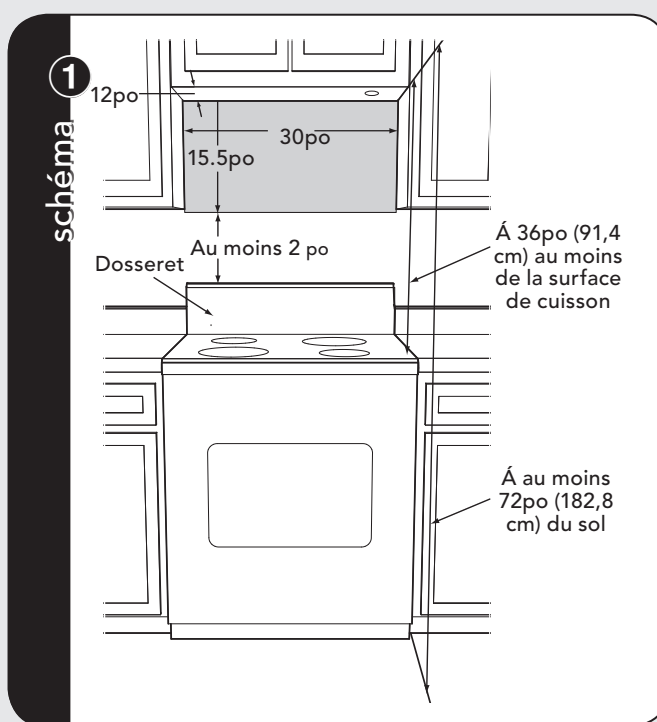
Ouvrez le fond du carton, basculez les rabats en arrière et basculez le four pour reposer sur la cale en mousse plastique. Enlevez le carton du four et sortez tous les matériaux d'emballage, les instructions d'installation, le gabarit mural, le gabarit de plafond, le filtre à charbon, le plateau tournant et son support. Cependant **CONSERVEZ LE CARTON QUI PEUT VOUS FACILITER L'INSTALLATION.**

- Enlevez l'autocollant des caractéristiques sur l'extérieur de la porte s'il y en avait un.
- **N'ENLEVEZ PAS LE CACHE DU GUIDE D'ONDES**, qui est situé sur le haut de la cavité du four. Vérifiez qu'il y a bien les gabarits mural et de plafond. Lisez le contenu et conservez le manuel de fonctionnement.

Cherchez des dommages éventuels sur le four, comme un désalignement ou une torsion de la porte, des dommages au niveau des joints ou des surfaces d'étanchéité, des cassures ou desserrages de charnières ou de verrouillage, des entailles dans la cavité ou sur la porte. Si vous trouvez un quelconque dommage, ne faites pas fonctionner le four et contactez votre revendeur ou UN SERVICE AGRÉÉ DE DÉPANNAGE VIKING. Reportez-vous aux instructions d'installation pour plus de détails.

## 1 Espace de Support

Le Schéma 1 vous montre l'espace de montage nécessaire à ce four à micro-ondes à hotte intégrée. Il est conçu pour être employé avec des armoires suspendues d'une taille standard de 12 po (30,5 cm).



## Le Dessinateur Micro-onde Intégrée

111 Front Street  
Greenwood, Mississippi 38930 USA

## 2 Construction du Mur

Le Micro-onde intégrée doit être monté sur et supporté par un mur vertical plat. Pour une installation correcte, le mur doit être plat. Si ce n'est pas le cas, employez des entretoises pour remplir les espaces. La construction du mur doit avoir des poteaux muraux de 2 x 4 po et une cloison sèche ou un plâtre d'au moins 3/8 po (9,5 mm) d'épaisseur. Les surfaces de montage doivent pouvoir supporter un poids de 110 lb. (50 kg) — le four et son contenu — ET le poids de tous les articles qui sont normalement entreposés dans l'armoire au-dessus de l'appareil.

L'appareil sera fixé à au moins un poteau mural de 2 x 4 po ou 2 poteaux de 2 x 3 po.

Pour trouver l'emplacement des poteaux muraux, vous pouvez employer une des méthodes suivantes :

- Employez un localisateur de montants, un appareil magnétique qui localise les clous dans le poteau.
- Frappez doucement avec un marteau le long de la surface de montage pour trouver un son plein. Ceci indiquera l'emplacement du montant.

On peut localiser le centre du poteau vertical en enfonçant un petit clou dans le mur pour trouver les bords du montant, il suffit alors de marquer le centre entre les bords. Le centre des montants suivants se trouvera normalement à 16 ou 24 po (40,6 cm ou à 61 cm) de chaque côté de cette marque.

## 3 INSTRUCTIONS DE MISE À LA TERRE

Cet appareil doit être mis à la terre. Ce four est équipé d'un cordon d'alimentation avec fil de mise à la terre, et d'une fiche de mise à la terre. Il faut le brancher dans une prise murale qui a été installée correctement et mise à la terre selon le Code national de l'électricité et les codes et décrets locaux. En cas de court-circuit électrique, la mise à la terre réduit les risques de choc électrique en permettant au courant de s'échapper par le fil de mise à la terre.

**⚠ AVERTISSEMENT**- *Un mauvais usage de la prise de terre peut causer des chocs électriques.*

## INSTALLATION ÉLECTRIQUE

Le four est équipé d'une fiche de terre à 3 broches. IL NE FAUT EN AUCUN CAS COUPER OU ENLEVER LA BROCHE DE TERRE DE LA FICHE.

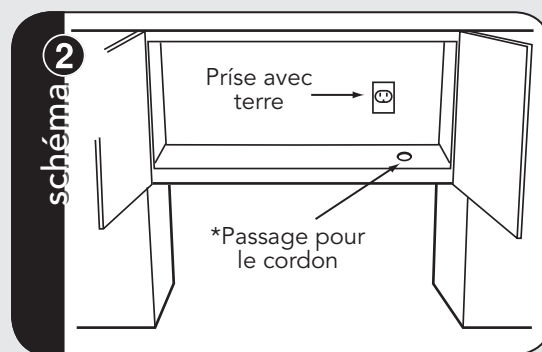
N'utilisez pas une rallonge.

Si le cordon d'alimentation est trop court, demander à un électricien ou un réparateur qualifié de poser une prise près de l'appareil.

Il faut connecter le cordon d'alimentation et la fiche sur un circuit séparé de 120 volts CA, 60 Hz, 15 A ou plus, avec prise murale simple avec terre. La prise doit être située dans l'armoire directement au-dessus de l'emplacement de montage du Micro-onde intégrée. Comme illustré par le Schéma 2.

### REMARQUE:

- Si vous avez des questions à propos de l'installation électrique ou de la mise à la terre, consultez un électricien de métier ou un réparateur qualifié.
- Ni Viking ni le revendeur ne peuvent accepter aucune responsabilité des dégâts au four, ou des blessures personnelles résultant du non-respect des procédures correctes de connexion électrique.



**IMPORTANT :** \* Passage du cordon d'alimentation pour les armoires métalliques : Ébarber l'ouverture pour adoucir les bords coupants.

## INTERFÉRENCE TV OU RADIO

Si votre four à micro-ondes causait des interférences avec votre poste de radio ou de télévision, vérifiez que votre four est alimenté sur un circuit secteur différent, ou éloignez la radio ou la TV du four si c'est possible, ou modifiez l'orientation de l'antenne réceptrice.

## 4 Conduit d'évacuation à la Hotte

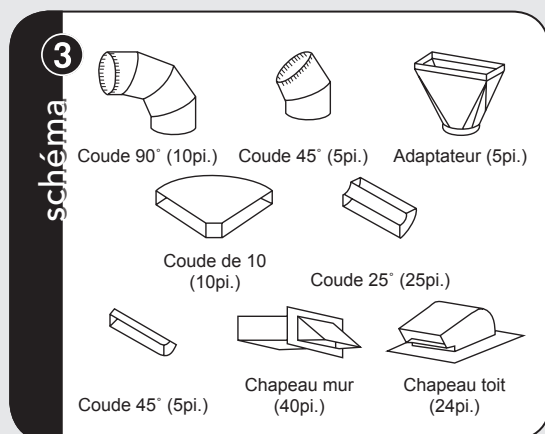
Pour une hotte avec évacuation à l'air libre, il faut installer un conduit d'évacuation à la hotte. Tous les conduits doivent être en métal; n'employez aucun conduit en plastique. Vérifiez que toutes les connexions sont bien serrées. Veuillez lire attentivement ce qui suit :

**CONNEXION DE L'ÉVACUATION :** l'évacuation de la hotte est conçue pour être connectée à un conduit rectangulaire standard de 3-1/4 po x 10 po (8,3 cm x 25,4 cm). Si vous avez besoin d'un conduit circulaire, il faut employer un adaptateur rectangulaire à rond.

**ÉVACUATION ARRIÈRE :** si vous employez une évacuation arrière ou horizontale, il faut faire attention de bien aligner l'évacuation avec l'espace entre les poteaux muraux, ou il faut préparer le mur à l'avance et laisser assez d'espace entre les poteaux muraux pour placer l'évacuation.

**LONGUEUR MAXIMUM DU CONDUIT :** pour un mouvement d'air suffisant, la longueur totale du conduit rectangulaire de 3-1/4 po x 10 po (8,3 cm x 25,4 cm) ou du conduit circulaire de 6 po (15,2 cm) de diamètre ne doit pas dépasser 140 pi. (42,7 m).

Les coudes, adaptateurs, murs, mitres de toit, etc., présentent une résistance supplémentaire au flux d'air et sont équivalents à une section de conduit droit qui est plus long que leur taille réelle. Quand vous calculez la longueur totale, il faut ajouter les longueurs équivalentes de toutes les transitions ou adaptateurs aux sections de conduit droit. Le Schéma 3 montre les longueurs équivalentes approximatives de quelques pièces typiques. Employez les valeurs entre parenthèses pour calculer l'équivalence de résistance du flux d'air, dont le total devra être de moins de 140 pi. (42,7 m).



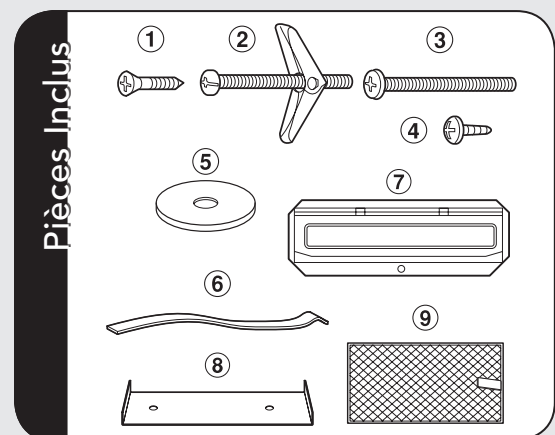
## 5 Outils recommandés pour l'installation

- Tournevis Phillips
- Perceuse électrique
- Ciseaux
- Scie pour couper l'ouverture d'échappement (si nécessaire)
- Crayon
- Mètre
- Bande autocollante
- Forets de 1/2 po, 5/8 po et 3/32 po (13 – 16 – 8 mm)

## 6 Matériel d'installation

Les articles de visserie du MATÉRIEL D'INSTALLATION ① à ⑤ sont emballés dans un petit sac. Les articles ⑥ à ⑨ sont emballés séparément. L'ensemble de ces pièces est contenu dans un petit carton sous le four.

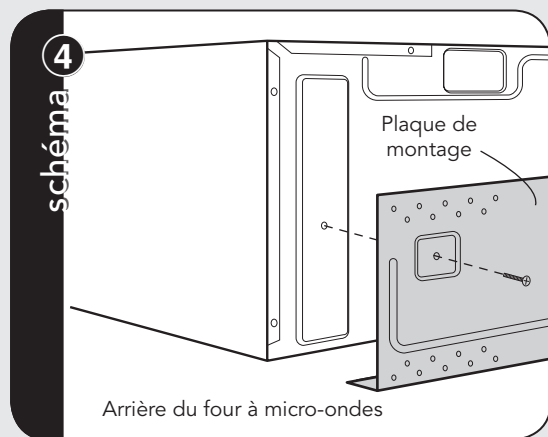
RÉF.	DESCRIPTION	QTÉ
①	Vis à bois 5 x 35 mm	4
②	Boulons à ailettes avec écrous #10 - 24 x 50 mm	4
③	Vis de coffret supérieur 5 x 85 mm	2
④	Vis autotaraudeuse 4 x 12 mm	1
⑤	Rondelle plate diamètre 30 mm	2
⑥	Amortisseur arrière	1
⑦	Ensemble registre d'évacuation	1
⑧	Plaques graduées	2
⑨	Filtres à graisses	2



Pièces montrées à des échelles différentes.

## 7 Préparation du four

Détachez la plaque de montage du four en retirant deux vis. Voir l'illustration ci-dessous. Conservez ces vis pour les utiliser à la section **MONTAGE MURAL DU FOUR**, étape 23.



## 8 Système de Ventilation (Préparation du four pour l'installation)

Le Micro-onde intégrée est conçu pour s'adapter à trois types de systèmes de ventilation par hotte. Choisissez le type nécessaire pour votre installation.

**RECYCLAGE** — Hotte absorbante, à recyclage.

Suivez la procédure d'installation (A). Ce type de hotte demande un filtre au charbon de bois qui se trouve dans la boîte, sous le four.

**ÉCHAPPEMENT HORIZONTAL** — Ventilation extérieure.

Suivez la procédure d'installation (B).

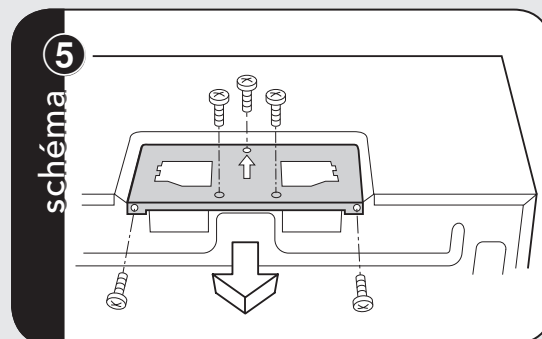
**ÉCHAPPEMENT VERTICAL** — Ventilation extérieure.

Suivez la procédure d'installation (C).

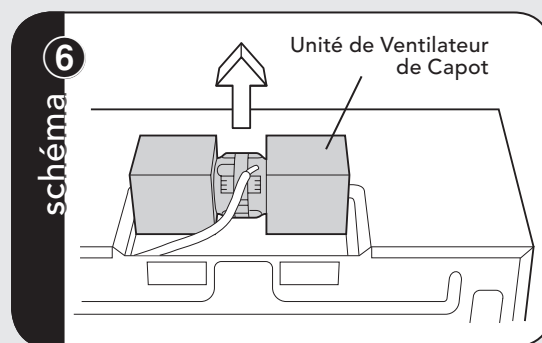
### (A) À Recirculation d'air : Fonctionnement et sans échappement ou tuyauterie

- L'unité est livrée pour un fonctionnement à recirculation d'air.
- L'ensemble de d'évacuation ⑦ n'est PAS NÉCESSAIRE en cas d'évacuation avec recyclage.

### (B) Échappement Horizontal : Ventilation extérieure

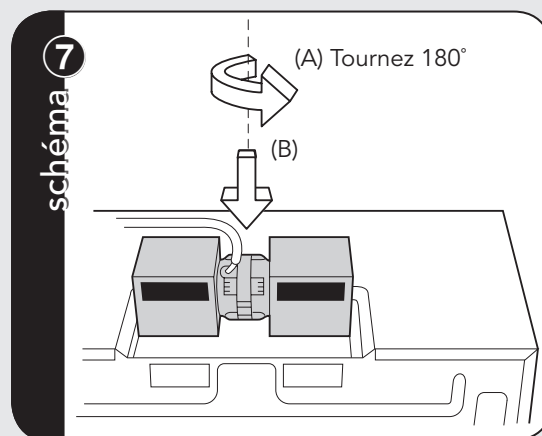


1) **ÉCHAPPEMENT HORIZONTAL**: Renlevez et conservez 2 vis du bord inférieur et 3 vis du milieu du haut de la ferrure couvercle de ventilateur. Mettez de côté 2 vis qui seront réutilisées plus tard, vous pouvez jeter les 3 autres. Enlevez cette pièce en la glissant dans la direction opposée à la flèche marquée dessus, comme illustré sur le Schéma 5.



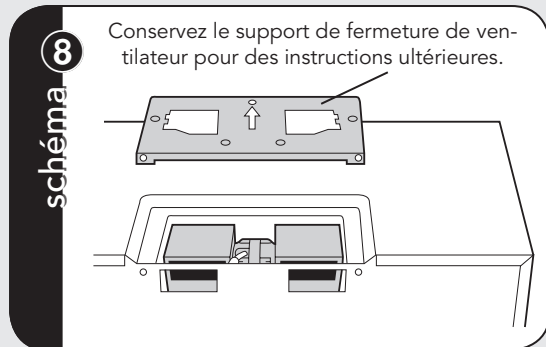
2) **ÉCHAPPEMENT HORIZONTAL**: Levez l'unité de ventilation de hotte avec précautions et glissez les fils hors de la cavité.

- **ATTENTION**: Ne tirez pas sur les fils de câblage et ne les étirez pas.



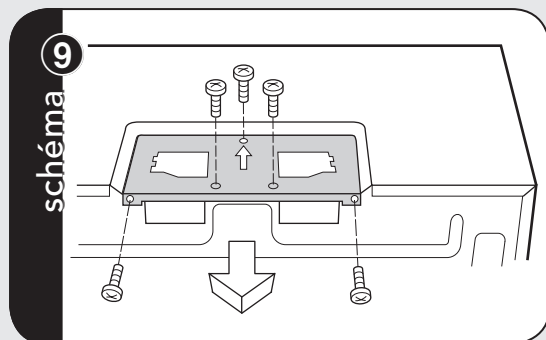
## 8 Système de Ventilation (Préparation du four pour l'installation)

3) ÉCHAPPEMENT HORIZONTAL: Faites pivoter l'unité de ventilation de hotte de 180° de façon à ce que les ouvertures de pales de ventilateur soient orientées vers l'arrière du four. Voir le Schéma 7 (A). Faites attention de ne pas pincer le fil et l'unité de ventilation de hotte. Voir le (B) du Schéma 7.

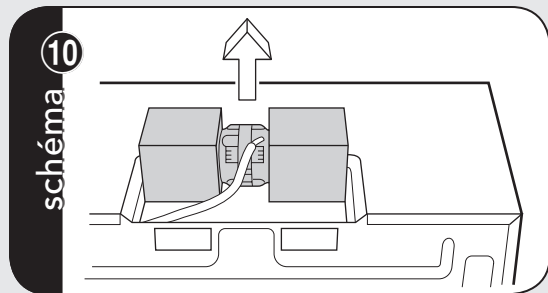


4) ÉCHAPPEMENT HORIZONTAL: Placez le fil de connexion dans le coffret de fils. La fixation du couvercle du ventilateur et le registre d'évacuation sont montés contre le mur. Suivre les instructions du gabarit mural fourni.

### (C) Échappement Vertical: Ventilation extérieure

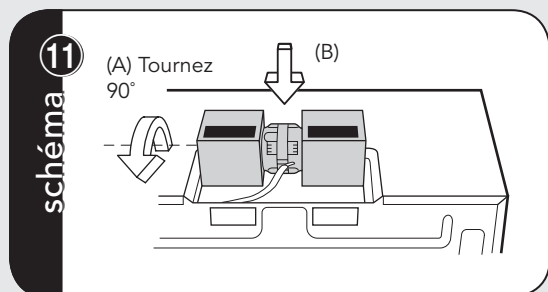


1) ÉCHAPPEMENT VERTICAL: Enlevez et conservez les 2 vis du bord arrière et 3 vis du centre supérieur du support de couvercle du ventilateur. Enlevez le support de couvercle du ventilateur en le faisant coulisser dans la direction opposée à celle indiquée par la flèche sur le support de couvercle du ventilateur, comme indiqué à la Schéma 9.



2) ÉCHAPPEMENT VERTICAL: Levez l'unité de ventilation de hotte avec précautions et glissez les fils hors de la cavité.

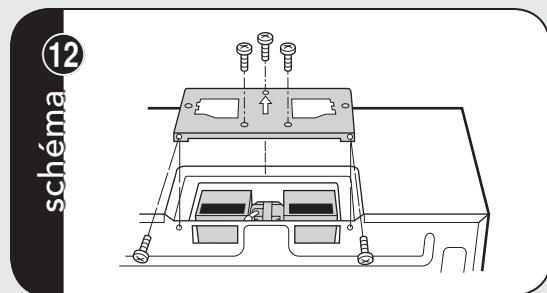
- **ATTENTION :** Ne tirez pas sur les fils de câblage et ne les étirez pas.



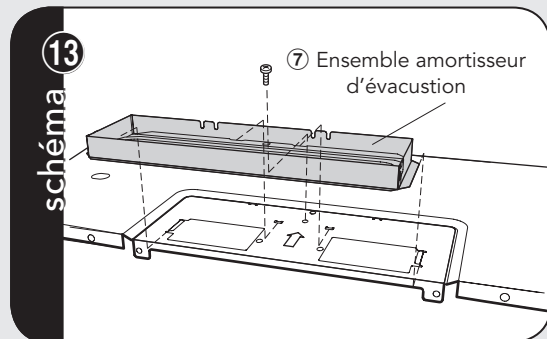
3) ÉCHAPPEMENT VERTICAL: Tournez l'unité 90° de ventilateur de capot de sorte que les ouvertures de pale de ventilateur fassent face au dessus du four. Voir le Schéma 11 (A). Remplacez l'unité de ventilateur de capot dans l'unité de four. Faites attention à ne pas pincer le fil de fil entre la parenthèse intérieure et l'unité de ventilateur de capot. Placez le fil de connexion dans la boîte de raccordement. Voir le Schéma 11 (B).

Remettez en place la ferrure couvercle de ventilateur en la glissant dans les fentes dans la même direction que la flèche marquée dessus. Assurez-vous que les pales de ventilateur sont visibles au travers des ouvertures à l'arrière avant de poursuivre.

## 8 Système de Ventilation (Préparation du four pour l'installation)



4) ÉCHAPPEMENT VERTICAL: Fixez le support de couverture de ventilateur à l'ensemble avec les 2 vis du bord arrière et les 3 vis du centre supérieur du support de couverture de ventilateur, qui ont été enlevées à l'étape 1 précédente. L'unité de ventilateur de hotte est maintenant positionnée pour un fonctionnement en évacuation à la verticale.



5) ÉCHAPPEMENT VERTICAL: Fixez l'ensemble amortisseur d'évacuation à la couverture de ventilateur sur le dessus du carter de coffret, en le glissant dans les fentes dans le sens de la flèche. Utilisez 1 vis autotaraudeuse ④ de 4x12 mm du MATÉRIEL D'INSTALLATION et serrez en place.

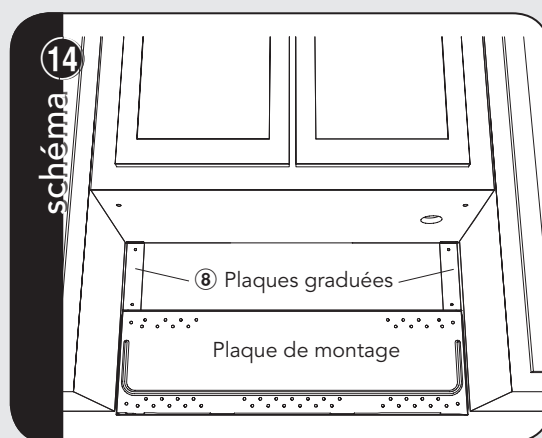
## 9 Installation du Four

CE FOUR NE PEUT PAS ÊTRE INSTALLÉ CORRECTEMENT SANS SE REPORTER AUX INSTRUCTIONS DE MONTAGE PORTÉES SUR LES GABARITS DE COFFRET DE MONTAGE MURAL ET AU PLAFOND.

L'étape suivante est de lire et suivre les informations de montage sur les gabarits de coffret de montage mural et au plafond. Le four doit être fixé sur au moins un poteau mural. Reportez-vous à LA CONSTRUCTION MURALE.

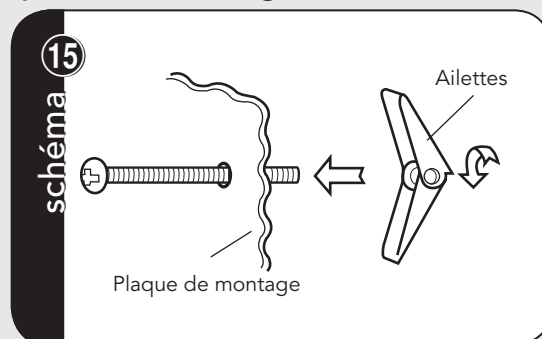
Après avoir utilisé le gabarit voulu, passez à la section de montage de plaque graduée.

### Montage de Plaque Graduée



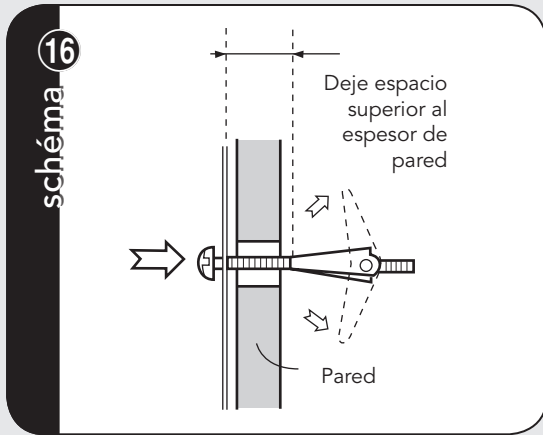
INSTALLATION DU FOUR: Les plaques graduées s'emploient à situer la sellette. Fixez 2 plaques graduées ⑧ avec de la bande autocollante (non fournie). Reportez-vous au Schéma 14 et au GABARIT MURAL POUR les emplacements. Après avoir fixé la sellette, enlevez et mettez à la poubelle les plaques graduées.

### Plaque de montage



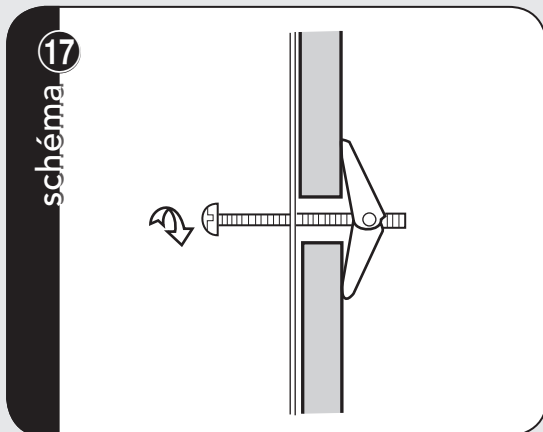
1) PLAQUE DE MONTAGE: Séparez 4 boulons à bascule ②, emballés dans le MATÉRIEL d'INSTALLATION, des écrous à bascule. Faites correspondre les trous de 5/8 po (1,6 cm) percés au travers du gabarit mural ailleurs que dans un poteau mural avec les trous correspondants de la plaque de montage.

# 10 Montage Mural du Four



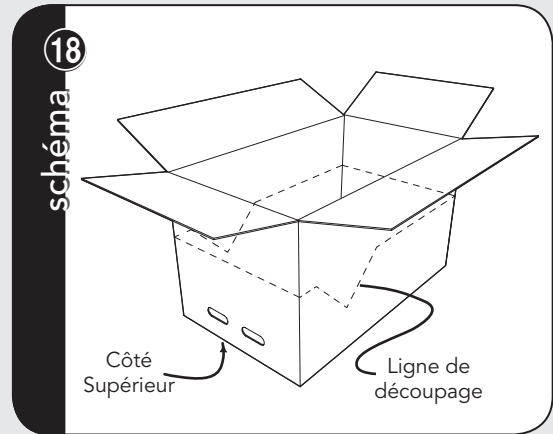
2) **PLAQUE DE MONTAGE:** Positionnez la plaque de montage avec les boulons à ailettes sur l'emplacement mural et insérez l'extrémité des boulons avec les ailettes repliées dans les trous du mur. Utilisez des vis à bois ① pour fixer la plaque de montage par les trous portant sur le poteau mural.

**REMARQUE :** Avant l'insertion, assurez-vous que vous laissez un espace plus grand que l'épaisseur de la cloison entre la plaque de montage et les écrous à ailettes en position fermée. Sinon l'écrou à ailettes ne pourra pas d'ouvrir au vissage de l'autre côté de la cloison. De plus quand un écrou à ailettes s'est ouvert il ne peut plus être retiré du trou. C'est pourquoi il faut vérifier attentivement le positionnement avant l'insertion.

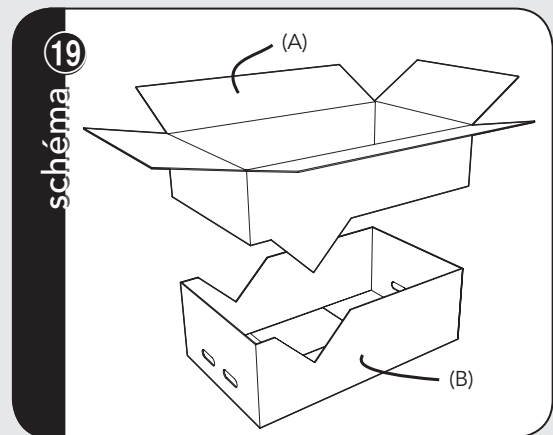


3) **PLAQUE DE MONTAGE:** Alignez soigneusement la plaque de montage et maintenez -la en position en serrant les boulons à ailette. Tirez ces boulons vers vous et tournez-les dans le sens du vissage pour ouvrir les ailettes et serrer.

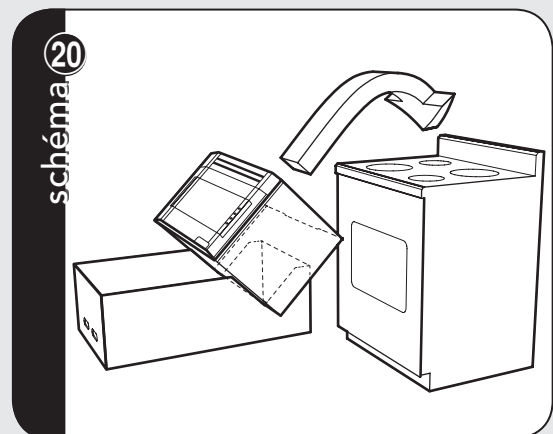
L'utilisation du carton peut faciliter l'installation.



1) **MONTAGE MURAL DU FOUR:** Placez le carton à l'envers.



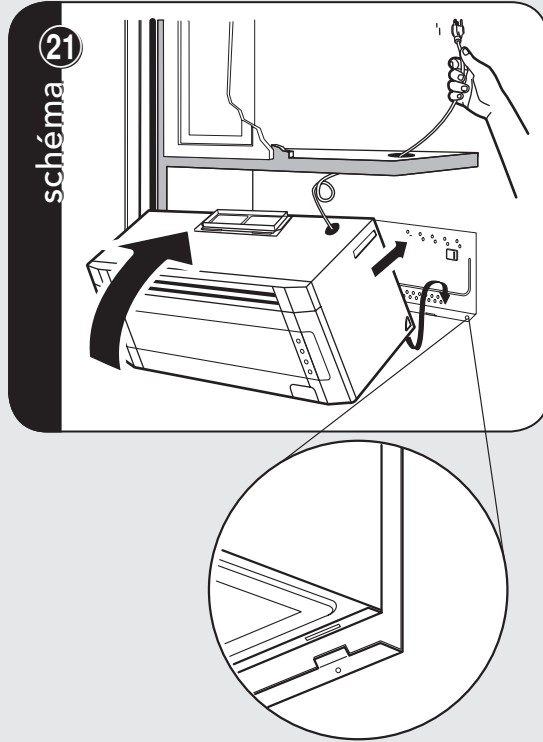
2) **MONTAGE MURAL DU FOUR:** En utilisant la ligne de découpage autour du carton, de la coupe dans deux morceaux de (A) et (B).



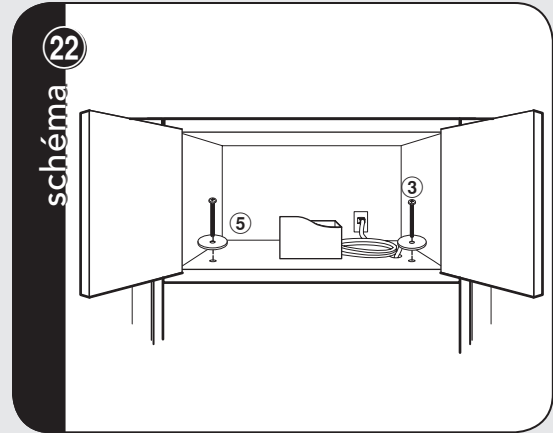
3) **MONTAGE MURAL DU FOUR:** Positionnez le carton de façon à aider pour le montage mural.

# 10 Montage Mural du Four

Il est recommandé d'utiliser deux personnes pour placer le four à micro-ondes et sa hotte sur la plaque de fixation.



4) MONTAGE MURAL DU FOUR: Passez le cordon secteur par le trou fait dans le fond du coffret supérieur. Soulevez et faites basculer le four vers l'avant. Accrochez l'arrière du four au bas de la Plaque de Montage. Soulevez l'avant du four vers le bas de l'armoire. Gardez tendu le cordon d'alimentation pour éviter qu'il gêne le montage du four affleurant avec le bas de l'armoire.



5) MONTAGE MURAL DU FOUR: Utilisez les deux vis de coffret supérieur (3) et deux rondelles plates (5), fournies dans la VISSERIE D'INSTALLATION pour fixer l'unité sur le coffret supérieur. Serrez jusqu'à ce que le dessus du four soit bien contre le bas de l'armoire.



6) MONTAGE MURAL DU FOUR: Vissez les deux vis de la PLAQUE DE MONTAGE conservées lors de l'étape 4. Poser les deux filtres à graisse 9.



Viking Range Corporation  
111 Front Street  
Greenwood, Mississippi 38930 USA  
(662) 455-1200

Pour plus d'information sur le produit,  
appeler au 1-888-VIKING1 (845-4641),  
ou consulter notre site Web à  
vikingrange.com

## Pense-bête pour l'installation

- Assurez-vous que l'appareil a été installé en suivant toutes les instructions et en utilisant le gabarit mural et de plafond.
- Branchez le cordon d'alimentation secteur.
- Conserver ce mode d'emploi et les instructions d'installation.



# Viking Instrucciones de Instalación

## IMPORTANTE—Por favor lea y siga!

- Por favor lea cuidadosamente todas las instrucciones antes de instalar el Diseñador Microondas para Empotrado. Se recomiendan dos personas para instalar este producto.
- Si se requiere un tomacorriente eléctrico nuevo, su instalación debe ser realizada por un electricista calificado antes de instalar el Diseñador Microondas para Empotrado. Véase el capítulo INSTRUCCIONES DE CONEXIÓN A TIERRA ELÉCTRICA en la página 2.

## Desempaquete y Revisión de su horno

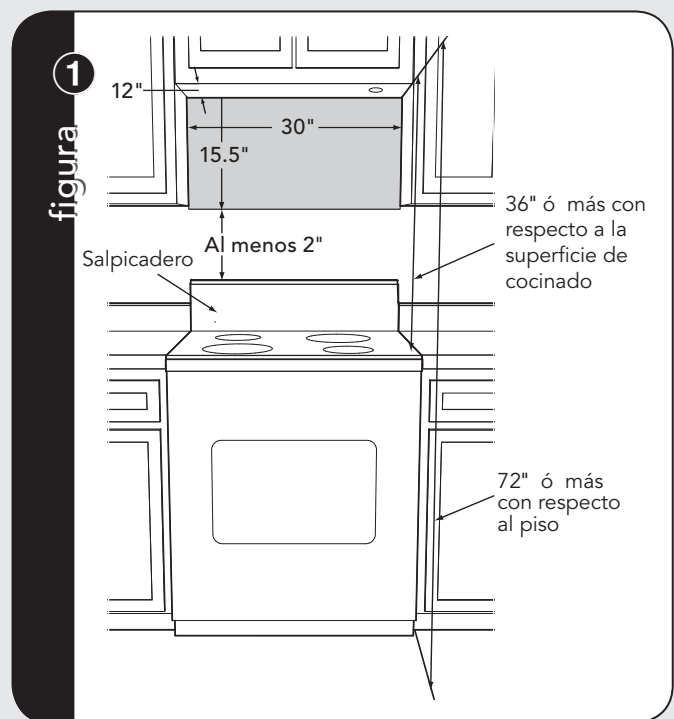
Abra la parte inferior de la caja de cartón, doble hacia atrás las alas de la caja de cartón y voltee la caja para colocar el horno sobre el cojín de espuma plástica. Levante la caja de cartón fuera del horno y remueva todos los materiales de empaque, la plantilla de pared y la plantilla de gabinete superior, la Bandeja Giratoria, y el Soporte de la Bandeja Giratoria. **GUARDE LA CAJA DE CARTÓN YA QUE ÉSTA PODRÍA FACILITAR LA INSTALACIÓN.**

- Remueva el adhesivo de características de la parte exterior de la puerta, si lo hay.
- **NO REMUEVA LA CUBIERTA DE GUÍA DE ONDAS**, que está ubicada en la pared derecha de la cavidad del horno. Revise para verificar que hay una Plantilla de Pared y una Plantilla de Gabinete Superior. Lea los documentos anexos y **GUARDE** el Manual de Operación.

Revise el horno en cuanto a daño, tal como puerta desalineada o doblada, sellos y superficies de sellado de puerta dañadas, bisagras y cerrojos de puerta rotos o flojos, y abolladuras dentro de la cavidad o en la puerta. Si hay cualquier daño, no opere el horno y comuníquese con su distribuidor o **PROVEEDOR DE SERVICIO AUTORIZADO DE Viking**. Véase las Instrucciones de Instalación para obtener más detalles.

## 1 Espacio de Montaje

Este Diseñador Microondas para Empotrado requiere un espacio de montaje sobre una pared según se muestra en la Figura 1. Está diseñado para ser utilizado con gabinetes de pared estándares de 12 pulgadas de profundidad.



## Diseñador Microondas para Empotrado

111 Front Street  
Greenwood, Mississippi 38930 USA

## 2 Construcción de la Pared

Este Diseñador Microondas para Empotrado debe contar y soportarse en una pared vertical plana. La pared debe ser plana para instalación apropiada. Si la pared no es plana, utilice espaciadores para llenar los vacíos. La construcción de la pared debe estar compuesta por columnas de madera de 2" x 4" mínimo y muro en seco (dry wall) o revoque con espesor de 3/8" o más. Las superficies de montaje deben ser capaces de soportar un peso de 110 libras - el horno y el contenido - Y el peso de todos los elementos que normalmente se guardarían en el gabinete superior sobre la unidad. La unidad debe sujetarse como mínimo a una (1) columna de pared de 2" x 4" o dos (2) columnas de pared de 2" x 3".

Para encontrar la ubicación de las columnas, debe utilizarse uno de los siguientes métodos:

- Utilice un localizador de columnas, un dispositivo magnético que localiza las puntillas en la columna.
- Utilice un martillo para golpear levemente a través de la superficie de montaje para encontrar un sonido macizo. Esto indicará la ubicación de la columna.

El centro de la columna puede ubicarse explorando la pared con una puntilla pequeña para encontrar los bordes de la columna y luego colocando una marca en el punto medio entre los bordes. El centro de cualquier columna adyacente normalmente estará a 16" o 24" en cualquier lado de esta marca.

## 3 INSTRUCCIONES DE CONEXIÓN A TIERRA ELÉCTRICA

Este aparato debe conectarse a tierra. Este horno está equipado con un cable que tiene un alambre de tierra y enchufe con pata de tierra. Éste debe enchufarse en un tomacorriente de pared instalado apropiadamente y conectado a tierra de acuerdo con el Código Eléctrico Nacional, y los códigos y ordenanzas locales. En caso que se produzca un cortocircuito eléctrico, la conexión a tierra reduce el riesgo de descarga eléctrica proporcionando un alambre de escape para la corriente eléctrica.

**⚠ ADVERTENCIA** - *El uso inapropiado del enchufe con pata de tierra puede resultar en peligro de descarga eléctrica*

## REQUERIMIENTOS ELÉCTRICOS

El horno está equipado con un enchufe de conexión a tierra, de tres patas. **BAJO NINGUNA CIRCUNSTANCIA CORTE O RETIRE LA PATA DE TIERRA DEL ENCHUFE.**

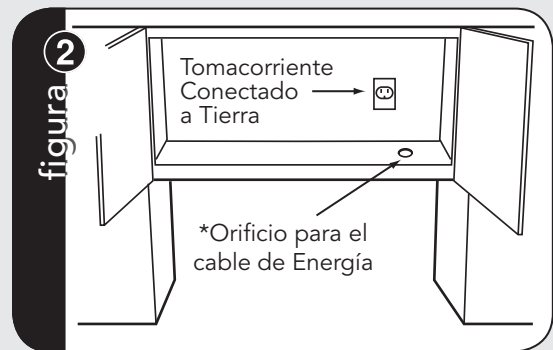
**NO UTILICE EXTENSIONES DE CABLE.**

Si el cable de alimentación es demasiado corto, haga que un electricista o mecánico calificado instale un tomacorriente cerca del artefacto.

El Cable de Suministro de Energía y el enchufe deben conectarse en un tomacorriente conectado a tierra de circuito separado de 120 Voltios AC, 60 Hz, 15 Amp, ó más. El tomacorriente debe ubicarse dentro del gabinete ubicado directamente sobre el sitio de montaje del Diseñador Microondas para Empotrado mostrado en la Figura 2.

### NOTA:

- Si tiene preguntas acerca de las instrucciones eléctricas o de conexión a tierra, consulte un electricista calificado.
- Ni Viking ni el distribuidor pueden aceptar ninguna responsabilidad por daño al horno o por lesiones personales resultantes de no seguir los procedimientos correctos de conexión eléctrica.



**IMPORTANTE:** \*Orificio del cable de energía para gabinetes de metal: Retire los bordes ásperos del orificio.

## INTERFERENCIA CON EL RADIO O TV

Si existe cualquier interferencia a su radio o TV causada por el Diseñador Microondas para Empotrado, verifique que el horno microondas está en un circuito eléctrico diferente, reubique el radio o TV lo más alejado posible del horno microondas o verifique la posición y señal de la antena receptora.

## 4 Ducto de Escape de Campana Extractora

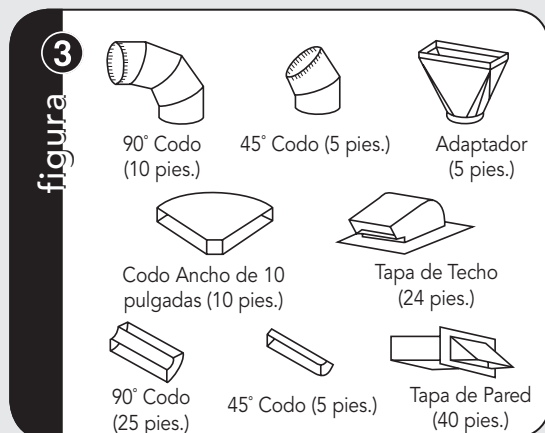
Cuando la campana extractora tiene escape hacia el exterior, se requiere un ducto de escape de campana. Todo el ducto debe ser metálico, categóricamente no utilice ducto plástico. Verifique que todas las conexiones están sujetadas firmemente. Por favor lea cuidadosamente lo siguiente:

**CONEXIÓN DE ESCAPE:** El escape de la campana ha sido diseñado para conectarse con un ducto rectangular estándar de 3-1/4" x 10". Si se requiere ducto redondo, debe utilizarse un adaptador de rectangular a redondo.

**ESCAPE TRASERO:** Si debe utilizarse un escape trasero o escape horizontal, debe tenerse cuidado de alinear el escape con el espacio entre las columnas, o la pared debe prepararse en el momento de construirse dejando suficiente espacio entre las columnas de pared para acomodar el escape.

**LONGITUD MÁXIMA DEL DUCTO:** Para movimiento satisfactorio del aire, la longitud total del ducto rectangular de 3-1/4" x 10" ó del ducto redondo con diámetro de 6" no debe exceder 140 pies (42.7 m).

Los codos, adaptadores, tapas de pared, tapas de techo, etc., presentan resistencia adicional al flujo de aire y son equivalentes a una sección recta de ducto con longitud superior a su longitud física real. Cuando se calcula la longitud total, agregue las longitudes equivalentes de todas las transiciones y adaptadores más la longitud de todas las secciones rectas de ducto. La Figura 3 muestra la longitud equivalente aproximada en pies de algunas partes de ducto típicas. Utilice los valores dentro de paréntesis para calcular la resistencia al flujo de aire equivalente que debe ser un valor total inferior a 140 pies (42.7 m).



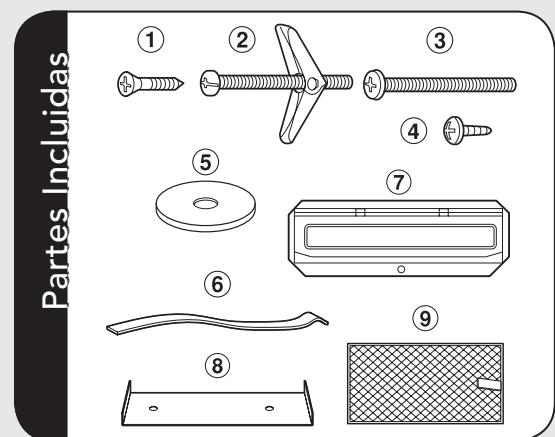
## 5 Herramientas Recomendadas para la Instalación

- Atornillador Phillips
- Taladro eléctrico
- Bande autocollante
- Sierra para cortar el orificio de escape (si es necesario)
- Cinta
- Lápiz
- Medida
- Brocas de 1/2", 5/8" y 3/32"

## Herrajes de Instalación

Los elementos ① - ⑤ sont emballés dans un petit sac. Les articles del HARDWARE DE INSTALACIÓN están empaçados en una bolsa pequeña. Los elementos ⑥ - ⑨ empaçados por separado. Todos los elementos están en una caja de cartón pequeña empaçada debajo del horno.

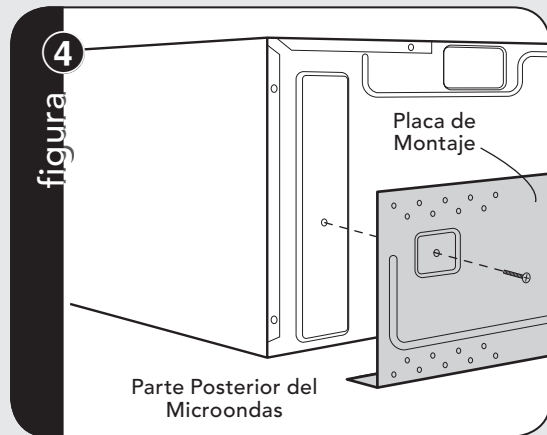
Elem.	Nombre	Cant.
①	Tornillo para Madera de 5 x 35 mm	4
②	Perno de Anclaje con tuercas #10 - 24 x 50 mm	4
③	Tornillo del Gabinete Superior, 5 x 85 mm	2
④	Tornillo Auto-Perforante de 4 x 12 mm	1
⑤	Arandela Plana con diámetro de 30 mm	2
⑥	Cojín Trasero	1
⑦	Regulador de Succión de Extracción	1
⑧	Placa de Escala	2
⑨	Filtro de Grasa	2



Las partes mostradas no reflejan su tamaño real.

## 7 Preparación del horno

Separe la placa de montaje del horno retirando dos tornillos. Véase la Figura a continuación. Guarde estos tornillos para usarlos en la sección **MONTAJE DEL HORNO EN LA PARED**, paso 23.



## 8 Sistema de Escape (Preparación del horno para Instalación)

Este Diseñador Microondas para Empotrado está diseñado para adaptación a tres tipos de sistemas de escape para campanas. Seleccione el tipo requerido para su instalación.

**RECIRCULACIÓN** — sin escape al exterior, sin ducto. Siga el procedimiento de instalación (A). La recirculación requiere el uso del Filtro de Carbón Vegetal, que está instalado en el horno.

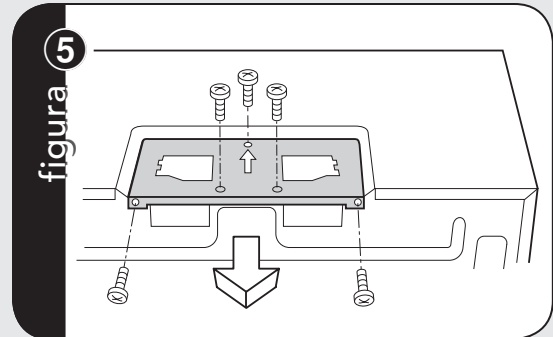
**ESCAPE HORIZONTAL** — extracción hacia el exterior. Siga el procedimiento de instalación (B).

**ESCAPE VERTICAL** — extracción hacia el exterior. Siga el procedimiento de instalación (C).

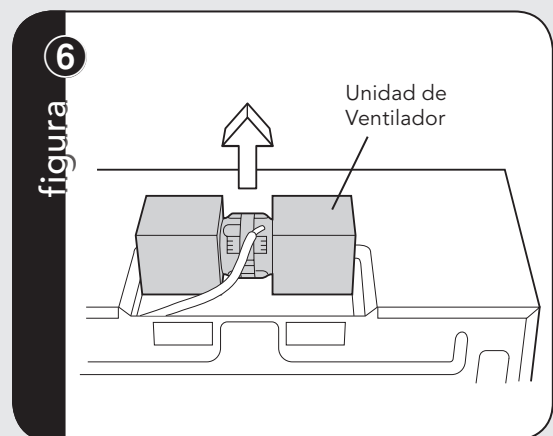
(A) **Recirculación: Operación sin escape hacia el exterior, sin ducto**

- La unidad es enviada ensamblada para recirculación.
- El Regulador de Succión de Extracción ⑦ no se requiere para extracción tipo recirculación.

(B) **Escape Horizontal: Extracción hacia el exterior**



1) **ESCAPE HORIZONTAL:** Remueva los 2 tornillos del borde trasero y los 3 tornillos de la parte central superior de la Cubierta del Ventilador. Guarde 2 tornillos a utilizar posteriormente y deseche el tercer tornillo restante. Remueva la Cubierta del Ventilador deslizándola en dirección opuesta a la flecha indicada sobre la Cubierta de Ventilador, según se muestra.

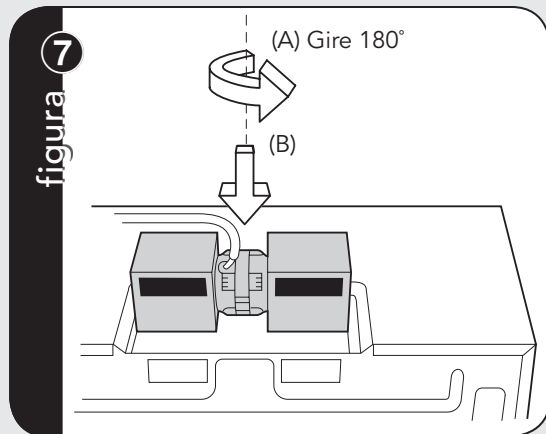


2) **ESCAPE HORIZONTAL:** Levante cuidadosamente la Unidad de Ventilador de la Campana Extractora y deslice los cables hacia fuera de la cavidad.

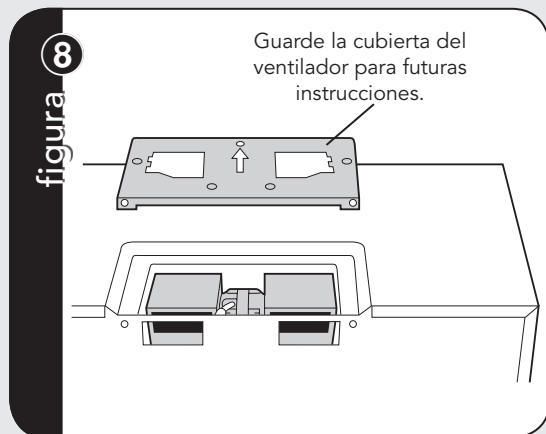
- **PRECAUCIÓN:** No Halar Ni Forzar los Cables del Ventilador de Campana Extractora.

## 8 Sistema de Escape

### (Preparación del horno para Instalación)

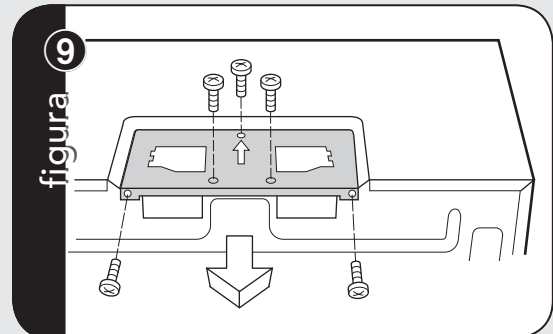


3) ESCAPE HORIZONTAL: Rote 180° la Unidad de Ventilador de la Campana Extractora de modo que las aberturas de aspas del ventilador queden dirigidas hacia la parte trasera del horno. 7 (A). Coloque nuevamente la Unidad de Ventilador de la Campana Extractora dentro del horno. Tenga cuidado de no pellizcar el alambre y la Unidad de Ventilador de la Campana Extractora. 7 (B).

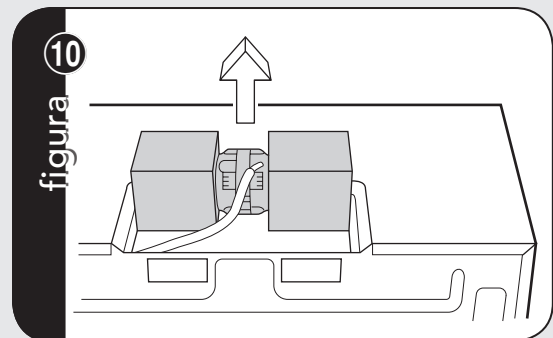


4) ESCAPE HORIZONTAL: Coloque el cable conductor dentro de la Caja de Alambres. La Cubierta del Ventilador y el Regulador de Succión de Extracción se montan en la pared. Siga las instrucciones en la plantilla de pared proporcionada.

### (C) Escape Vertical: Extracción hacia el exterior

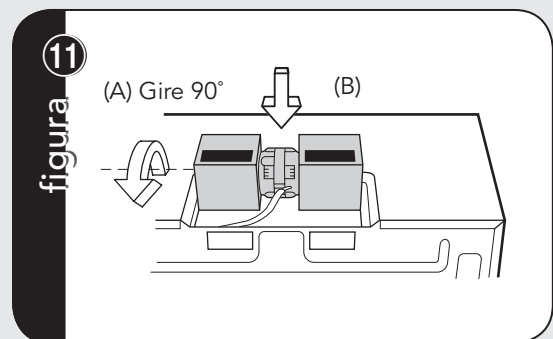


1) ESCAPE VERTICAL: Remueva y guarde los 2 tornillos del borde trasero y los 3 tornillos de la parte central superior de la Cubierta del Ventilador. Remueva la Cubierta del Ventilador deslizando en dirección opuesta a la fecha indicada sobre la Cubierta del Ventilador según se muestra en la Figura 9.



2) ESCAPE VERTICAL: Levante cuidadosamente la Unidad de Ventilador de la Campana Extractora y deslice los cables hacia fuera de la cavidad.

• **PRECAUCIÓN:** No halar ni forzar los cables del ventilador de la campana extractora.

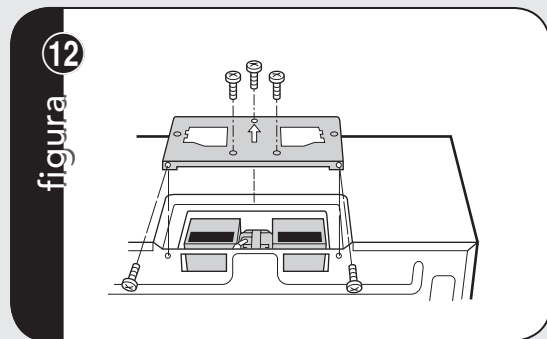


3) ESCAPE VERTICAL: Tournez l'unité 90° de ventilateur de capot de sorte que les ouvertures de pale de ventilateur fassent face au dessus du four. Voir (A). Remplacez l'unité de ventilateur de capot dans l'unité de four. Faites attention à ne pas pincer le fil de fil entre la parenthèse intérieure et l'unité de ventilateur de capot. Placez le fil de connexion dans la boîte de raccordement. Voir (B).

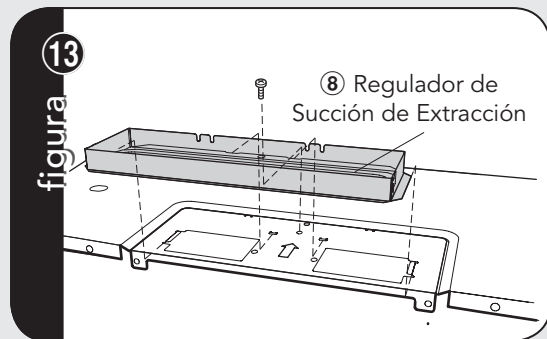
## 8 Sistema de Escape

### (Preparación del horno para Instalación)

Coloque nuevamente la Cubierta del Ventilador deslizándola dentro de las ranuras en la misma dirección de la flecha indicada sobre la Cubierta del Ventilador. Asegúrese que las aspas del ventilador son visibles a través de las aberturas superiores del horno antes de proceder.



4) ESCAPE VERTICAL: Sujete la Cubierta del Ventilador a la unidad mediante los 2 tornillos del borde trasero y los 3 tornillos de la parte central superior de la Cubierta del Ventilador, que se removieron en el Paso 1 anterior. La Unidad de Ventilador de la Campana Extractora ahora está girada para operación de escape vertical.



5) ESCAPE VERTICAL: Sujete el Regulador de Succión de Extracción (8) a la cubierta del ventilador ubicada en la parte superior del horno deslizándolo dentro de las ranuras en la misma dirección de la flecha. Utilice 1 Tornillo Autoperforante (4) 4 x12 mm de los HERRAJES DE INSTALACIÓN y apriete para colocar en su sitio.

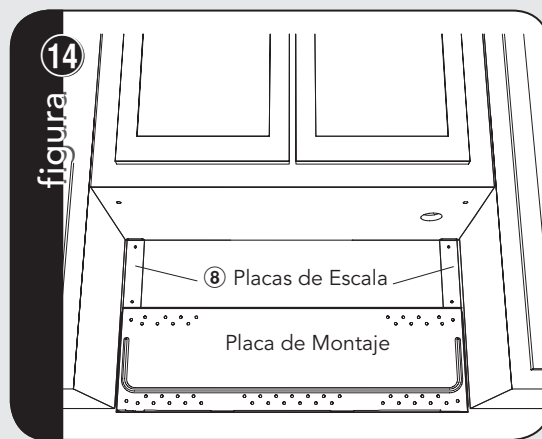
## 9 Instalación del Horno

ESTE HORNO NO PUEDE INSTALARSE APROPIADAMENTE SI NO SE CONSULTAN LAS INSTRUCCIONES DE MONTAJE QUE SE ENCUENTRAN EN LAS PLANTILLAS DE PARED Y DE GABINETE SUPERIOR.

El siguiente paso es leer y seguir la información de montaje que se encuentra en las plantillas de pared y de gabinete superior. Este horno debe sujetarse a al menos una columna de pared. Véase la CONSTRUCCIÓN DE LA PARED.

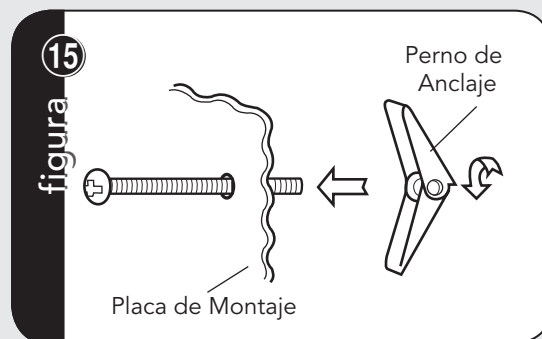
Cuando está terminado el trabajo con las plantillas, proceda a la sección de Montaje de las Placas de Escala.

### Montaje de las Placa de Escala



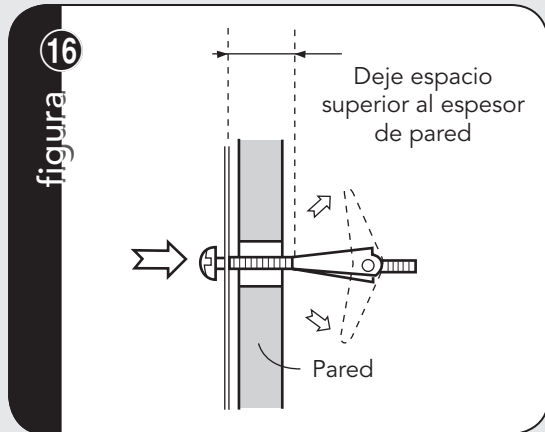
INSTALACIÓN DEL HORNO: Los platos de escala se utilizan para localizar el plato de montaje. Sujete las 2 Placas de Escala (8) con cinta (no incluida). Véase la Figura 14 y la PLANTILLA DE PARED para las ubicaciones. Después de asegurar el plato de montaje, remueva y tire los platos de escala.

### Placa de Montaje



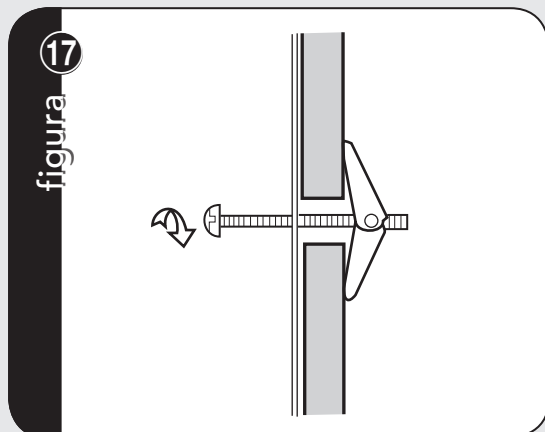
1) PLACA DE MONTAJE: Separe los 4 Pernos de Anclaje (2), empacados en los HERRAJES DE INSTALACIÓN, de las Tuercas de Anclaje. Haga coincidir los orificios de 5/8" (no en las columnas), perforados a través de la PLANTILLA DE PARED dentro de la pared, con los orificios correspondientes en la Placa de Montaje.

## 9 Instalación del Horno



2) **PLACA DE MONTAJE:** Coloque la Placa de Montaje con los Pernos de Anclaje sujetos, en el sitio de pared e inserte los Pernos y Tuercas de Anclaje a través de los orificios en la pared con las Tuercas de Anclaje cerradas. Utilice los Tornillos para Madera ① para sujetar la Placa de Montaje a las columnas.

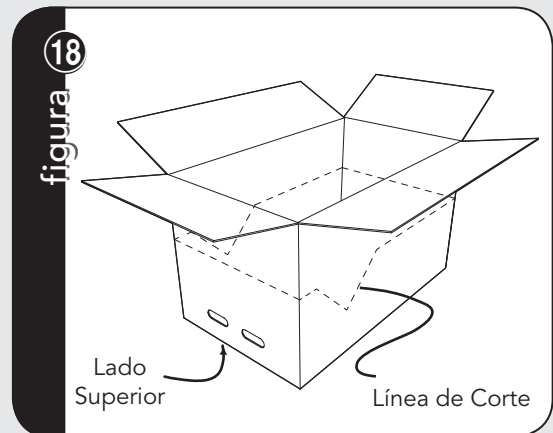
**NOTA:** Antes de la inserción, asegúrese de dejar un espacio superior al espesor de la pared entre la Placa de Montaje y el extremo de cada una de las Tuercas de Anclaje (en la posición cerrada). Si usted no deja suficiente espacio, la Tuerca de Anclaje no podrá abrirse en el otro lado de la pared. Además, una vez que la Tuerca de Anclaje se abre, ésta no puede retirarse del orificio; por lo tanto asegúrese que todos los Anclajes están en la posición correcta antes de la inserción.



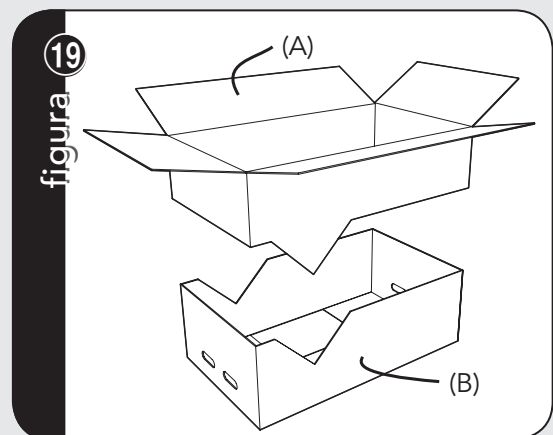
3) **PLACA DE MONTAJE:** Alinee cuidadosamente la Placa de Montaje y sostenga en posición mientras aprieta los Pernos de Anclaje. Hale el Perno de Anclaje hacia usted y gire en sentido horario para apretar.

## 10 Montaje del Horno en la Pared

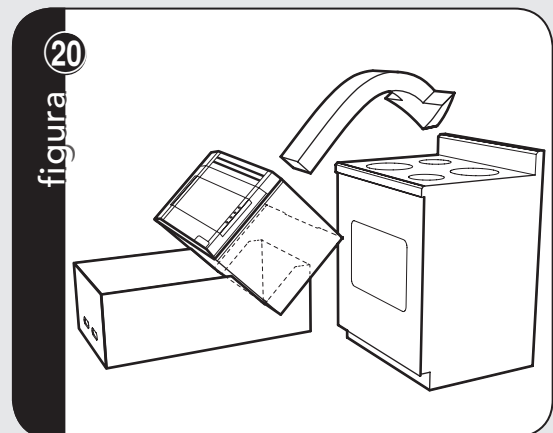
Utilization of the carton may make installation easier.



1) **MONTAJE DEL HORNO EN LA PARED:** Coloque boca abajo la caja de cartón.



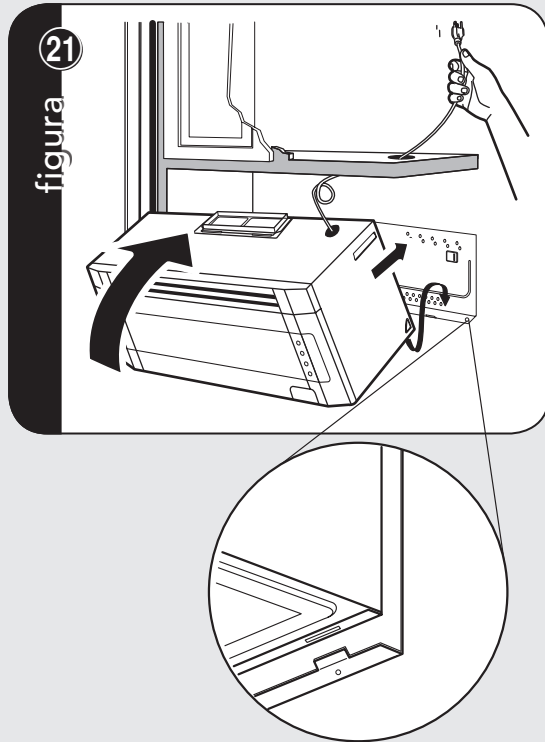
2) **MONTAJE DEL HORNO EN LA PARED:** Utilizando la línea de corte alrededor de la caja de cartón, corte en dos piezas (A) y (B).



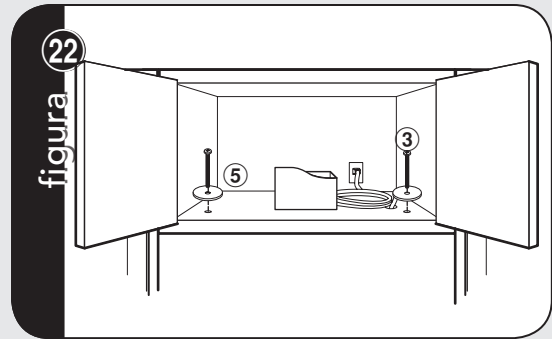
3) **MONTAJE DEL HORNO EN LA PARED:** Posicione el horno para ayudar en el montaje en la pared.

# 10 Montaje del Horno en la Pared

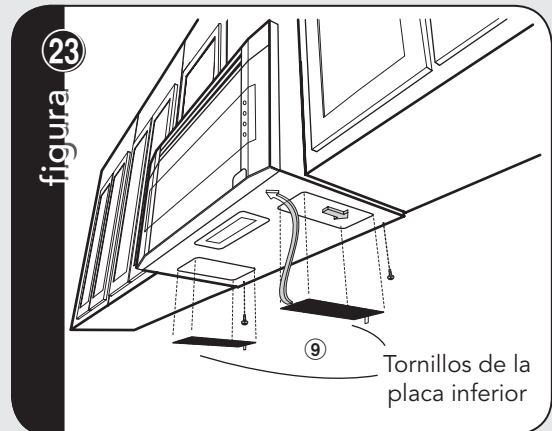
Se recomiendan dos personas para sujetar el Diseñador Microondas para Emmpotrado a la Placa de Montaje.



4) MONTAJE DEL HORNO EN LA PARED: Passez le cordon secteur par le trou fait dans le fond du coffret supérieur. Levante e incline el horno hacia adelante. Enganche la parte inferior posterior del horno con la parte inferior de la Placa de Montaje.



5) MONTAJE DEL HORNO EN LA PARED: Levante la parte frontal del horno hacia la parte inferior del gabinete. Mantenga estrecho el Cable de Suministro de Energía para evitar interferencia al montar el horno a ras con la parte inferior del gabinete. Utilice los dos Tornillos del Gabinete Superior (3) y las dos Arandelas Planas (5) suministradas en los HERRAJES DE INSTALACIÓN, para sujetar la unidad al gabinete superior.



6) MONTAJE DEL HORNO EN LA PARED: Ajuste los tornillos de la placa inferior que guardo previamente de acuerdo a las indicaciones de la sección PREPARACIÓN DEL HORNO. Instale los dos Filtros de Grasa (9).



Viking Range Corporation  
111 Front Street  
Greenwood, Mississippi 38930 USA  
(662) 455-1200

Para mayor información sobre productos,  
llame al 1-888-VIKING1 (845-4641)  
o visite el sitio Web de Viking en  
vikingrange.com

## Lista de verificación para Instalación

- Asegúrese que la unidad ha sido instalada de acuerdo con todas las Instrucciones de Instalación y las Plantillas de Pared y las Plantillas del Gabinete Superior.
- Enchufe el cable de energía.
- Guarde el Manual de Operación y las Instrucciones de Instalación.