

ICE MACHINE ACCESSORY DOOR PANEL INSTALLATION

ACCESSORY DOOR PANEL

The ice machine is supplied without a finished door panel. Accessory door panels are offered or a custom panel may be used.

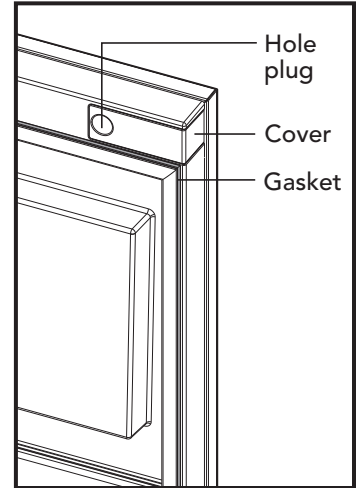
Accessory Door Panel Attachment

Note: If door swing is to be changed, it must be done before panel is attached (See Installation Instructions).

To attach a door panel:

The panel will be held on by 6 screws and 2 machine screws (supplied).

1. Remove the gasket and retain for later use.
2. If the door panel is stainless steel, remove any plastic covering the stainless steel panel.
3. Place the panel onto the outside of the door, and secure it to the door using two machine screws, located at the left center and right center (behind door gasket).
4. Fasten the panel to the door using the 6 screws (supplied in kit). In the hinge area, use the outermost screw holes.
5. Place the covers over the hinge areas, and secure each cover to the door using a screw (supplied).
6. Insert hole plug over screw installed in step 5 (supplied).
7. Return the gasket to its original position.



ACCESSORY DOOR PANEL ATTACHMENT

