



**BUILT-IN TRIM KIT
FLUSH MOUNTING TEMPLATE
FOR CUSTOM SERIES MICROWAVE OVEN**

1. Align the Flush Mounting Template center line with the center of the cabinet. Align the Floor Line with the bottom of the cabinet at the desired height. Tape it in place.
2. Cut the cabinet opening along the three Cabinet Cutout Lines and the Floor Line.
3. Install two Side Spacers (see FIGURE 1) and two Bottom Spacers (see FIGURE 2) as specified in FIGURE 4.
4. Cut out the Side Spacer Templates (R and L) and align the indicated edge to the corresponding Side Spacer (see FIGURE 3). Be careful to align the Floor Line to the bottom edges of the Side Spacers.
5. Pre-drill two holes indicated "A" in Side Spacer - R with a 1/16" drill bit.
6. Pre-drill two holes indicated "B" in Side Spacer - L with a 1/16" drill bit.
7. Remove template from the cabinet.

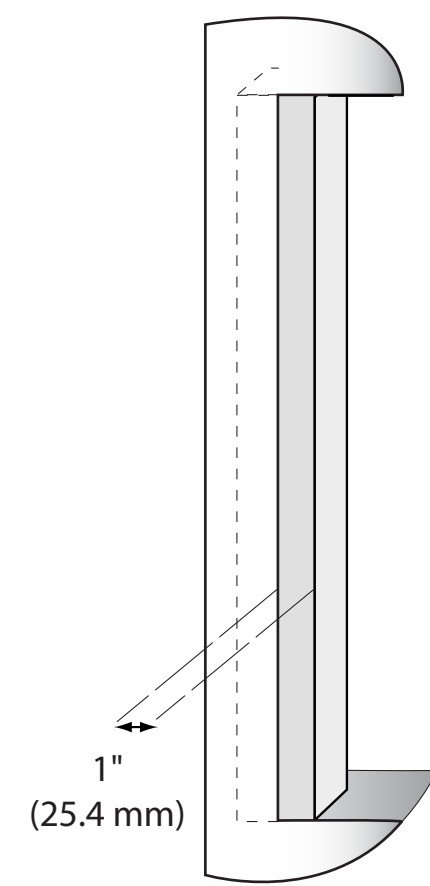


FIGURE 1
Side Spacer (2 required)
Must protrude from edge of cabinet cutout towards center as shown.

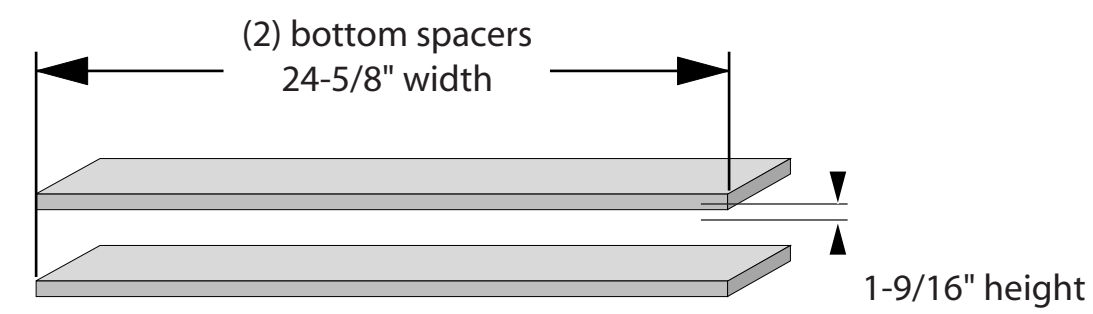


FIGURE 2
Bottom Spacers (2 required).

The exhaust duct should be aligned left to right with the left and right edges of the bottom spacer. The front edge of the exhaust duct should be recessed from the edge of the bottom spacer by 5 mm in order for the unit to be flush with the front surface of the trim kit. The exhaust duct should be secured to the bottom spacer with Screw (C).

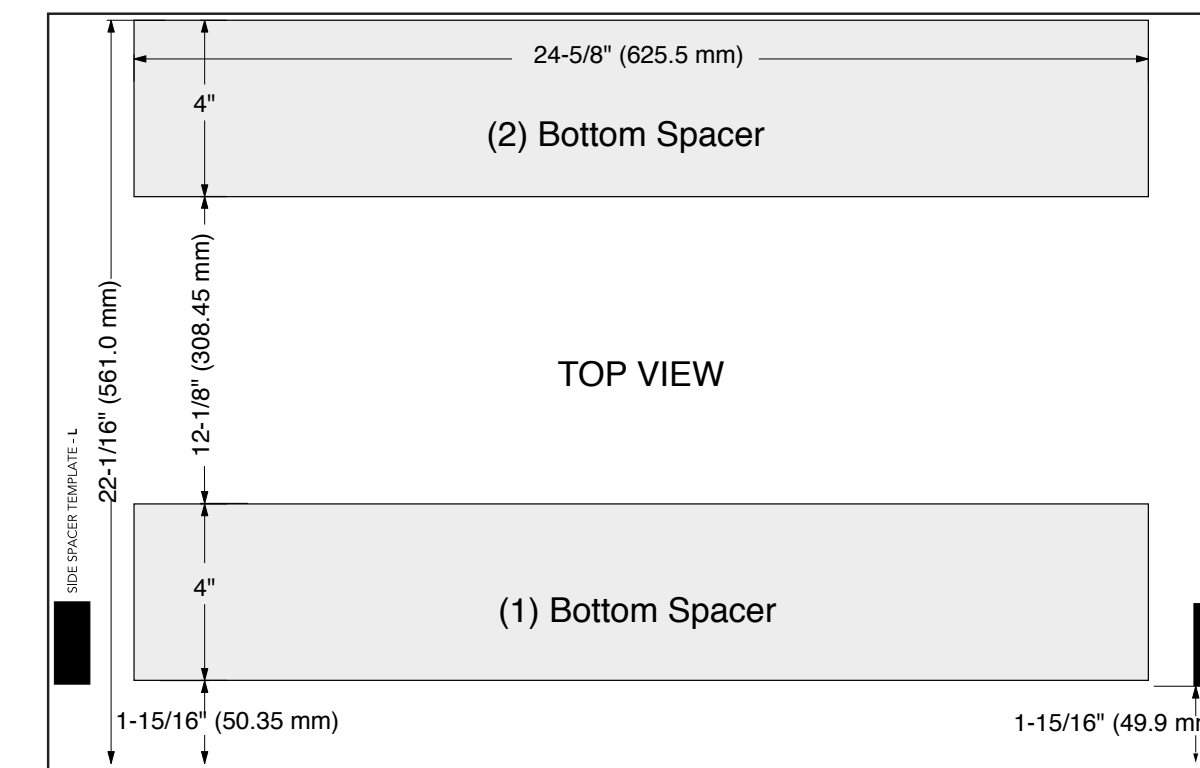


FIGURE 3
Front of Cabinet

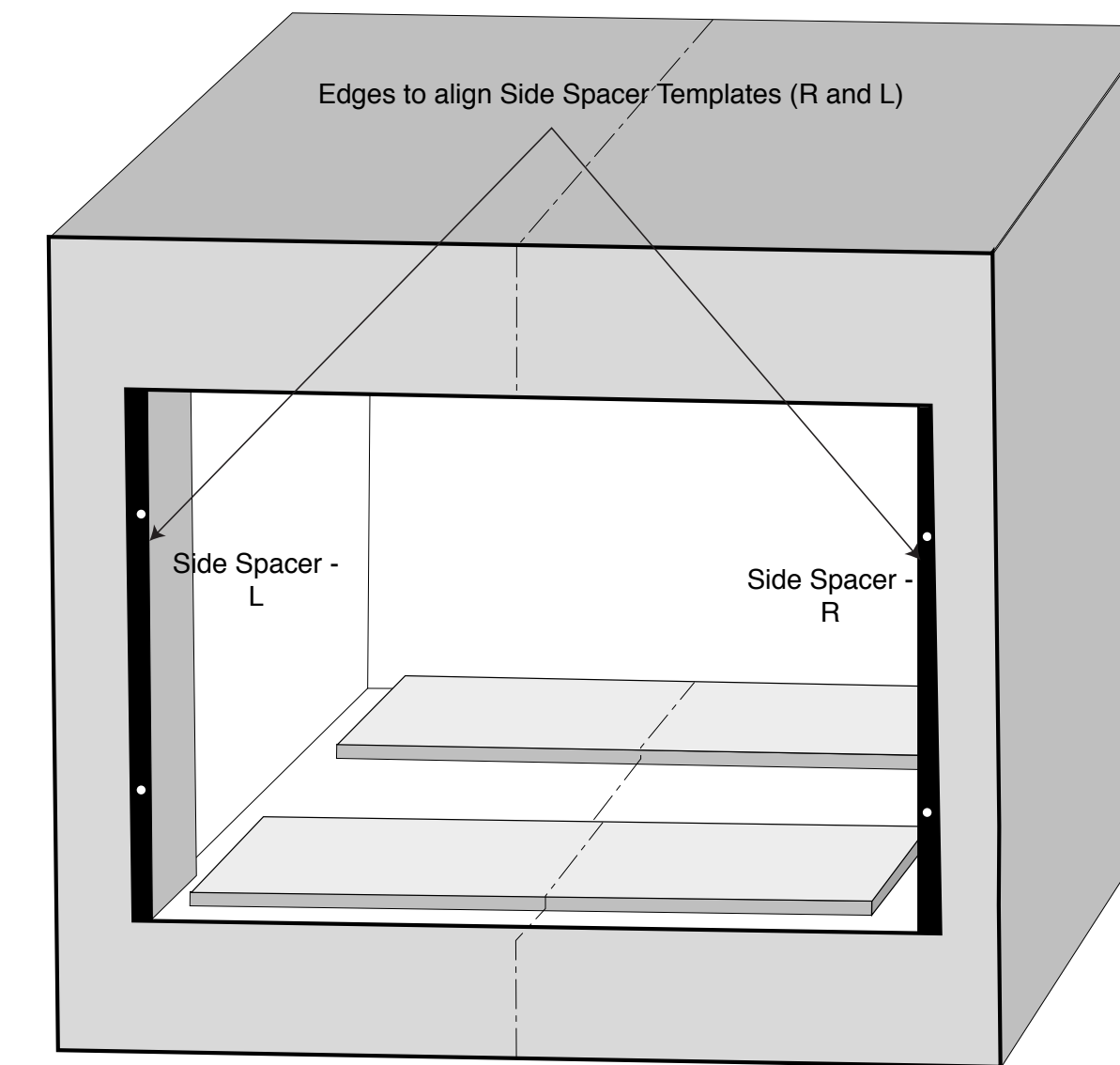


FIGURE 4 Bottom Spacers centered with cabinet cutout

