



# REFRIGERATION

## Undercounter/Freestanding 24"W. Refrigerator



### Standard Features & Accessories

#### All models include

- Electronic controls with digital temperature readout
  - Inside temperature can be adjusted from 32 – 39°F
  - Factory set at 38°F
  - Sabbath mode
  - Temperature can be displayed in either Fahrenheit or Celsius
- Capacity—5.3 cu. ft. (150.0 L)
- Two full-extension wire shelves
  - 75 lbs. capacity
  - Removable and adjustable
- Dual pane and argon-filled Low-E energy efficient glass doors
- LED display lighting
- Forced air cooling system with powerful 700 BTU compressor
- Tru-Flush™ design allows unit to fit flush in 24" deep cutout
- Energy Star qualified
- Undercounter or freestanding installation
- Self-closing door
- Super quiet 39 db sound rating
- Black kickplate
- Adjustable leveling legs
- Must be ordered right or left hinge (As you face unit, RIGHT has hinge on right side and handle on left side; LEFT has hinge on left side and handle on right side.)

### Model Options



**VRCI1240G**  
Professional

- FINISH DETAILS FOR VRCI MODELS**
- Clear glass doors
  - Stainless Steel (SS)—stainless steel frame around large window door, stainless steel handle with chrome-plated brackets, and stainless steel exterior cabinet.
  - Stainless steel interior



**FRCI1240G**  
Custom Panel

- FINISH DETAILS FOR FRCI MODELS**
- Clear glass doors.
  - Stainless steel interior
  - Handle not included—opt for custom handle, or purchase a Viking Professional Series handle kit (see **Installation Notes & Accessories**).
  - Accepts 3/4"-thick custom wood frame.
  - See **Custom Panels** section for more information and additional specifications.

#### ORDERING INSTRUCTIONS

First specify model number, then specify hinge preference ("R" for right or "L" for left), and then color code (VRCI1240GRSS).





# REFRIGERATION

## Undercounter/Freestanding 24"W. Refrigerator



★ Please see  
Installation Notes &  
Accessories  
for important  
information,  
including handle  
kits.

### Dimensions & Specifications

#### PRODUCT DIMENSIONS

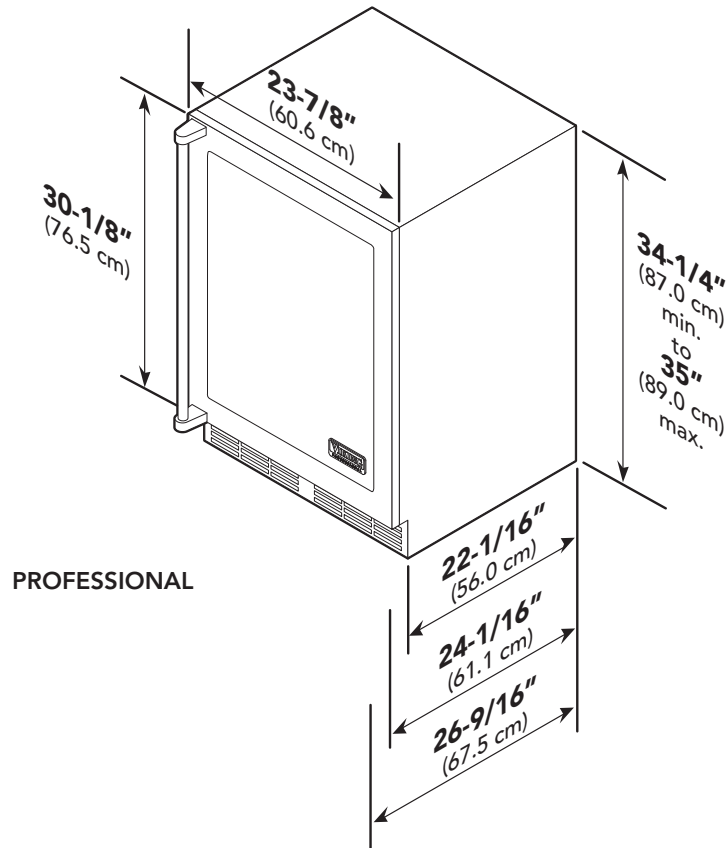


**VRCI1240G**  
Professional



**FRCI1240G**  
Custom Panel

See **Custom Panels** section for  
more information and additional  
specifications.



	<b>VRCI1240G</b>	<b>FRCI1240G</b>
Overall width	<b>23-7/8" (60.6 cm)</b>	
Overall height	<b>34-1/4" (87.0 cm) min. to 35" (89.0 cm) max.</b>	
Overall depth (from rear)		
To front of handle	<b>26-9/16" (67.5 cm)</b>	Varies
Approx. ship weight	<b>215 lbs. (98.0 kg)</b>	





# REFRIGERATION

## Undercounter/Freestanding 24"W. Refrigerator



### Dimensions & Specifications

#### DOOR SWING

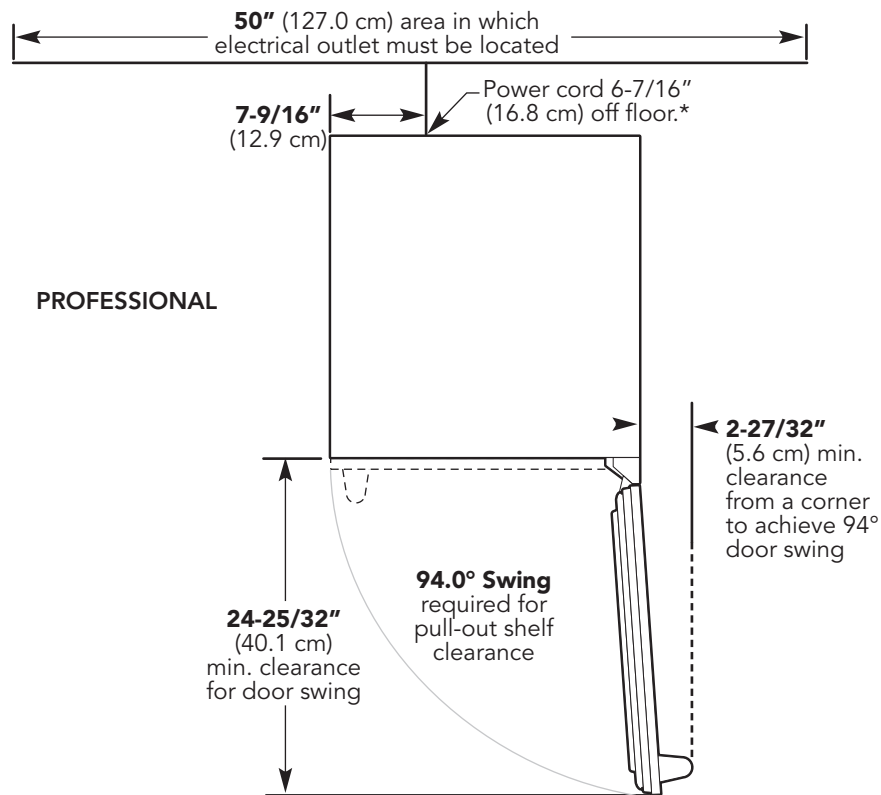


VRCI1240G  
Professional



FRCI1240G  
Custom Panel

See **Custom Panels** section for more information and additional specifications.





# REFRIGERATION

## Undercounter/Freestanding 24"W. Refrigerator



### UTILITY REQUIREMENTS



**GAS**  
Not applicable



**ELECTRICAL**

- Three-wire cord with grounded three-prong plug attached to product
- 115V/60 Hz; 15 amp dedicated circuit
- Maximum amp usage—3.0



**PLUMBING**  
Not applicable

## Installation Requirements

### ACCESS REQUIREMENTS

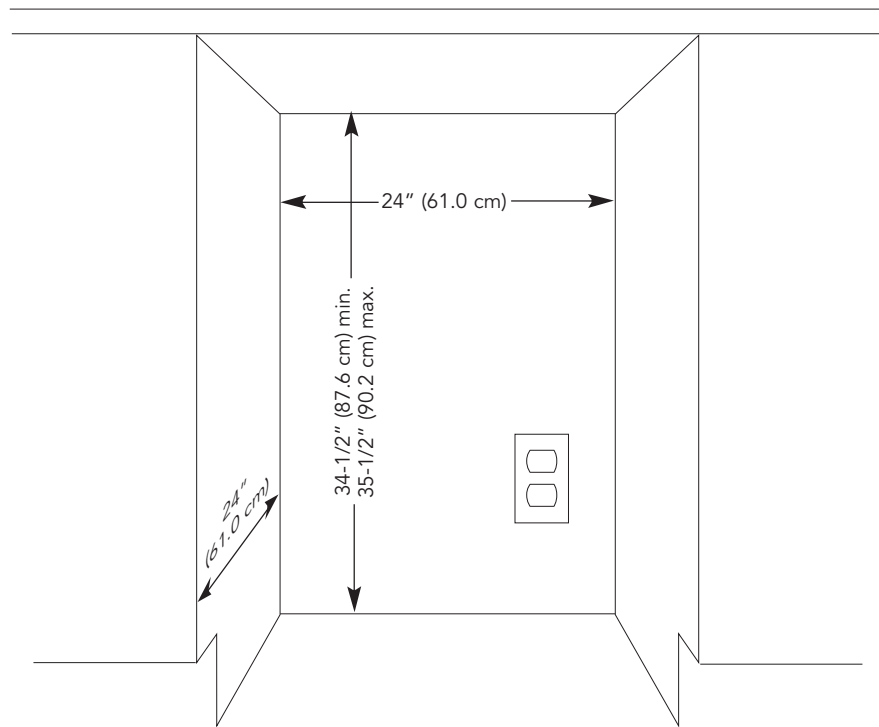


**VRCI1240G**  
Professional



**FRCI1240G**  
Custom Panel

See **Custom Panels** section for more information and additional specifications.



#### All models

Cutout width	24" (61.0 cm)
Cutout height	34-1/2" (87.6 cm) min. to 35-1/2" (90.2 cm) max.
Cutout depth	24" (61.0 cm)





# REFRIGERATION

## Undercounter/Freestanding 24"W. Refrigerator



### ★ Installation Notes & Accessories

#### Handle Kits

- For use with custom panel 24"W. refrigerator
- For use on locally supplied custom panels
- Handles allow custom panel products to coordinate with other Professional products
- Kit includes one handle and installation hardware

Model	Description	Approx. ship wt. lbs. (kg)
PHK30-SS	Professional handle (Stainless Steel)	6 (2.7)

#### Compliance Information



#### WARRANTY SUMMARY\*

- Three-year full warranty—complete unit
- Six-year full warranty—sealed refrigeration system (includes compressor, condenser, dryer/strainer, evaporator, and connecting tubing)
- Twelve-year limited warranty—sealed refrigeration system
- Ninety-day limited warranty—cosmetic parts such as glass, painted items, and decorative items

\*For complete warranty see *Use & Care Guide*. Warranty valid on Viking products shipped within the United States and Canada.

