



Viking Range Corporation
111 Front Street
Greenwood, Mississippi 38930 USA
(662) 455-1200

For product information, call 1-888-VIKING1 (845-4641)
or visit vikingrange.com



INSTALLATION GUIDE



Ventilation Hoods

Table of Contents

| | |
|--|----|
| Warnings & Important Information _____ | 3 |
| 18”H. Wall Hoods 36”, 48”, & 60” | |
| Dimensions & Specifications _____ | 5 |
| Clearance Dimensions _____ | 6 |
| Interior Ventilator Dimensions _____ | 7 |
| Exterior Ventilator Dimensions _____ | 8 |
| Planning Information _____ | 9 |
| Installation Procedures | |
| Installation (18”H. Wall Hoods) _____ | 10 |
| Duct Cover Option (18”H. Wall Hoods) _____ | 11 |
| Service & Registration _____ | 12 |

IMPORTANT—Please Read and Follow!

IMPORTANT – PLEASE READ AND FOLLOW

- Before beginning, please read these instructions completely and carefully.
- Do not remove permanently affixed labels, warnings, or plates from the product. This may void the warranty.
- Please observe all local and national codes and ordinances. If no local codes are applicable, wire in accordance with the National Electrical Code, ANSI/NFPA 70-latest edition.
- Damp environment approved models should be installed in a covered non-enclosed area and should be protected from the elements as much as possible.
- The installer should leave these instructions with the consumer who should retain for local inspector’s use and for future reference.
- Check with a qualified and trained installer or local codes for makeup air requirement, if any.

This hood is for residential installation only and is not designed for installation over a commercial product. Make sure power is off at the main circuit breaker or fuse box before making connections. To avoid risk of fire, electric shock, or injury to persons, turn off the electricity to the hood from the power supply before servicing or cleaning.

Viking hoods are equipped with the variable speed controls for blowers. These units will not function with a single speed ventilator. All Viking ventilator kits are designed specifically for use with Viking hoods. Use of any non-Viking ventilator kit will void the hood warranty.

READ AND SAVE THESE INSTRUCTIONS

⚠ WARNING

To reduce the risk of fire, electric shock, or injury to persons, observe the following:

- Use this unit only in the manner intended by the manufacturer. If you have any questions, contact the manufacturer.
- Before servicing or cleaning unit, switch power off at service panel and lock service panel to prevent power from being switched on accidentally. When the service disconnecting means cannot be locked, securely fasten a prominent warning device, such as a tag, to the service panel.

⚠ WARNING

TO REDUCE THE RISK OF FIRE, ELECTRICAL SHOCK, OR INJURY TO PERSONS, OBSERVE THE FOLLOWING:

1. Installation work and electrical wiring must be done by qualified person(s) in accordance with all applicable codes and standards, including fire-rated construction.
2. Sufficient air is needed for proper combustion and exhausting of gases through the flute (chimney) of fuel burning equipment to prevent back drafting. Follow the heating equipment manufacturer’s guideline and safety standards such as those published by the National Fire Protection Association (NFPA), and the American Society for Heating, Refrigeration and Air Conditioning Engineers (ASHRAE), and the local code authorities.
3. When cutting or drilling into wall or ceiling, do not damage electrical wiring and other hidden utilities.
4. Ducted fans must always be vented to the outdoors.
5. **WARNING!** To reduce risk of fire, use only metal ductwork
6. **CAUTION!** To reduce risk of fire and to properly exhaust air, be sure to duct air outside. Do not vent exhaust air into spaces within walls or ceilings, or into attics, crawl spaces, or garages.
7. **CAUTION!** To Reduce the Risk of Fire and Electric Shock, Install this rangehood only with remote blower models manufactured by Viking, model numbers – DEV900/DEV1200, DEV1500, or integral blowers manufactured by Viking, model numbers – DIL900, VINV300, VINV600, VINV1200, or DIL 1200 – NOTE – Please refer inside for specific canopy/blower combinations.

IMPORTANT—Please Read and Follow!

⚠ WARNING

To reduce the risk of injury to persons in the event of a rangetop grease fire, observe the following. (Based on "Kitchen Firesafety Tips," published by NFPA.)

1. SMOTHER FLAMES with a close fitted lid, cookie sheet, or metal tray, then turn off the burner. BE CAREFUL TO PREVENT BURNS. If the flames do not go out immediately, EVACUATE AND CALL THE FIRE DEPARTMENT.
2. NEVER PICK UP A FLAMING PAN. You may be burned.
3. DO NOT USE WATER, including wet dishcloths or towels a violent steam explosion will result.
4. Use an extinguisher ONLY if
 - You know it is a Class ABC extinguisher, and you already know how to operate it.
 - The fire is small and contained in the area where it started.
 - The fire department is being called.
 - You can fight the fire with your back to an exit.

⚠ CAUTION

For general ventilating use only. Do not use to exhaust hazardous or explosive materials and vapors.

⚠ WARNING

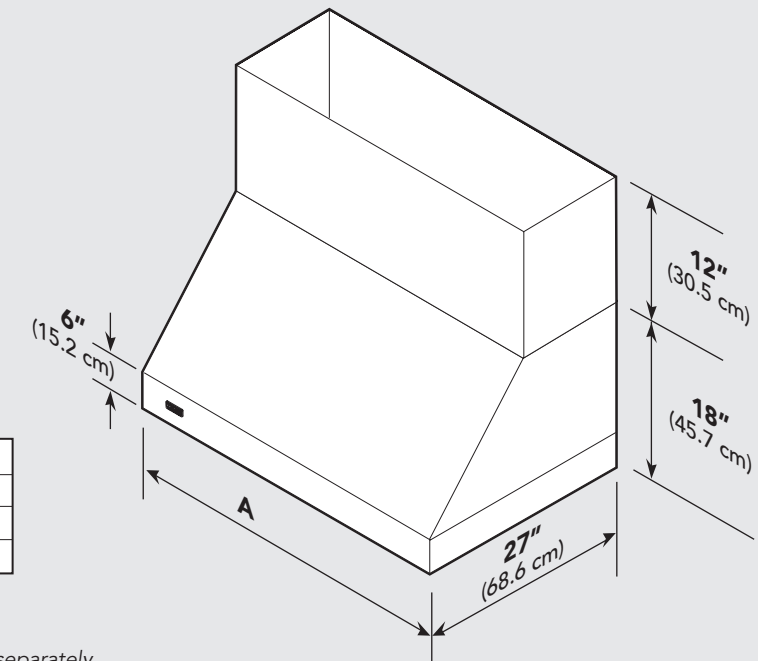
TO REDUCE THE RISK OF FIRE, ELECTRICAL SHOCK, OR INJURY TO PERSONS

Rangehoods must be installed with the ventilators that are specified on their carton indicating suitability with this model. Other ventilators cannot be substituted.



Dimensions & Specifications

(BVWH 18"H. Wall Hoods 36", 48", & 60")



| A (Hood width) | |
|----------------|--------------------|
| 36"W. | 35-7/8" (91.1 cm) |
| 48"W. | 47-7/8" (121.6 cm) |
| 60"W. | 59-7/8" (152.1 cm) |

Note: Optional duct cover sold separately.

| BVWH 18"H. Wall Hoods | | | |
|--------------------------|-----------------------|--------------------|--------------------|
| Description | 36" | 48" | 60" |
| Duct cover width | 35-7/8" (91.1 cm) | 47-7/8" (121.6 cm) | 59-7/8" (152.1 cm) |
| Duct cover depth | 12" (30.5 cm) | | |
| Duct cover height | 12" (30.5 cm) | | |
| Number of lights | 2 | 3 | 4 |
| Number of filters | 2 | 3 | 4 |
| Heat lamps | 1 | 2 | 2 |
| Interior ventilator kits | VINV300/600/1200 | VINV1200* | VINV1200* |
| Exterior ventilator kits | DEV900/1200* | DEV1200*/1500** | DEV1200*/1500** |
| In-line ventilator kits | DIL900/1200 | DIL1200 | DIL1200 |
| Interior duct size | 7"/10" (17.8/25.4 cm) | 10" (25.4 cm) | 10" (25.4 cm) |
| Exterior duct size | 10" (25.4 cm) | | |
| Interior—Maximum amps | 4.9/5.9 | 11.5 | 11.5 |
| Exterior—Maximum amps | 8.7/6.0 | 8.5/9.2 | 8.9/9.2 |
| In-Line—Maximum amps | 6.0/7.9 | 10.3 | 10.7 |

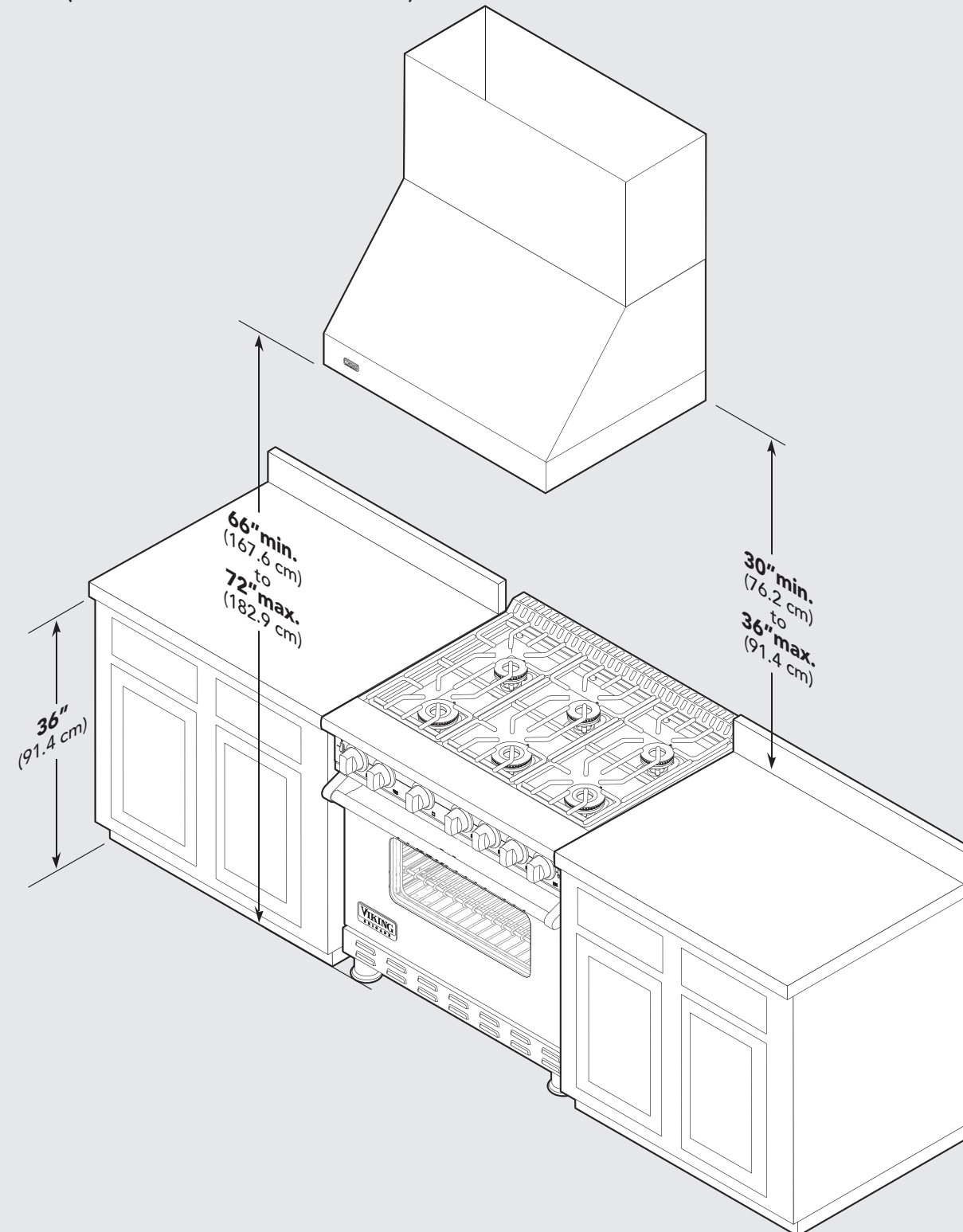
* A 1,200 CFM interior- or exterior-power ventilator should be used when installed over range/rangetop with gas char-grill. Max duct run is 50 ft.

** It is recommended that the 1,500 CFM ventilator be used with longer duct runs. Max duct run is 75 ft.

Note: Maximum amp rating for hoods includes recommended ventilator kit rating; All products must be hard wired with 2-wire with ground. An interior- or exterior-power ventilator kit must be purchased for installation with all 18"H. hoods.

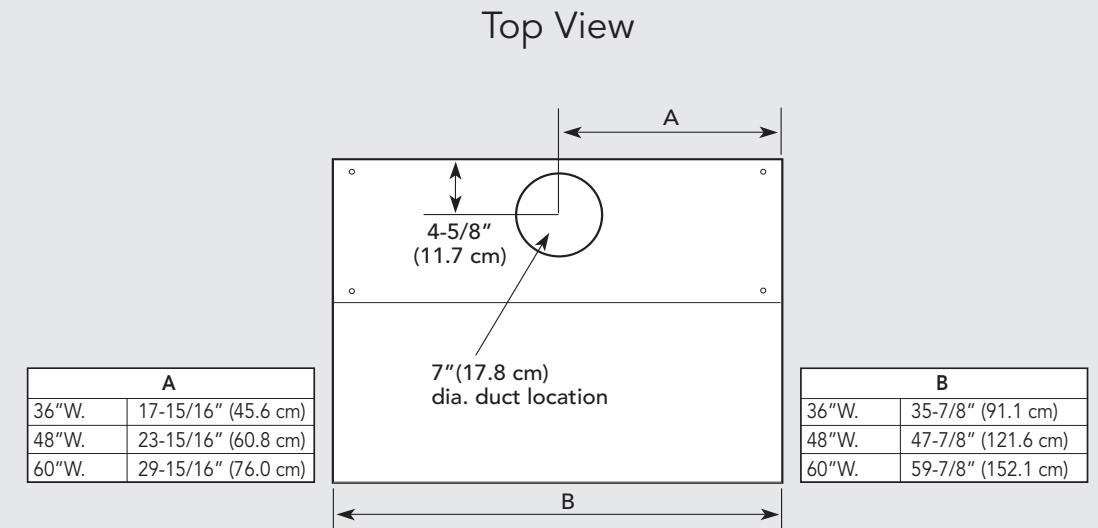
Clearance Dimensions

(BVWH 18"H. Wall Hoods)

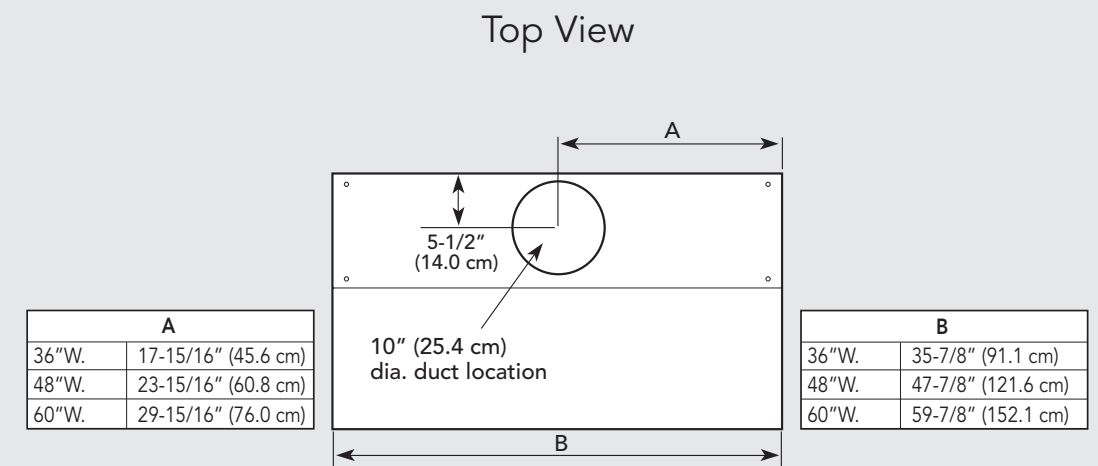


Interior Ventilator Dimensions

(BVWH 18"H. Wall Hoods)



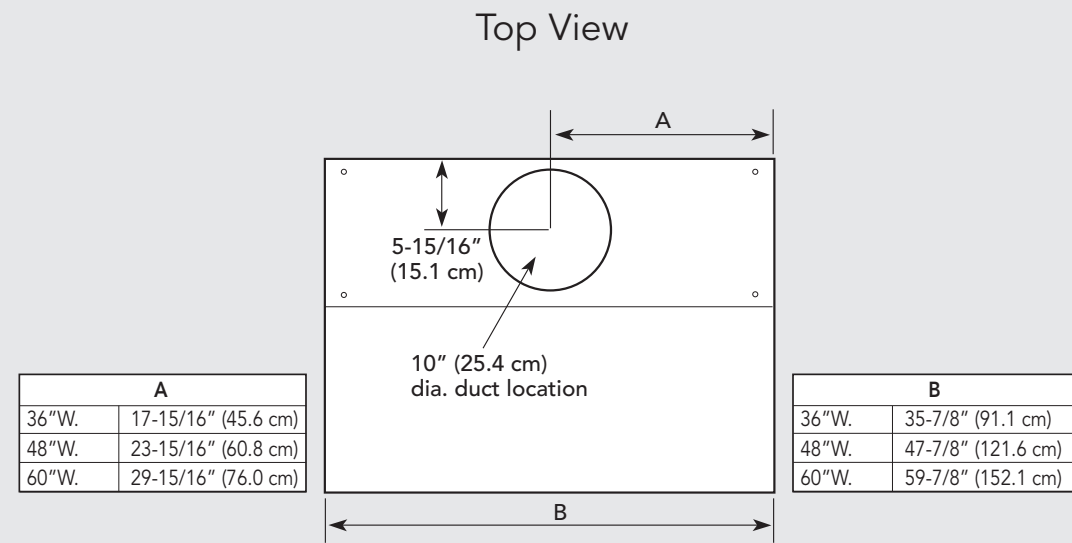
300 or 600 CFM Interior Ventilator Installation for all Wall Hoods



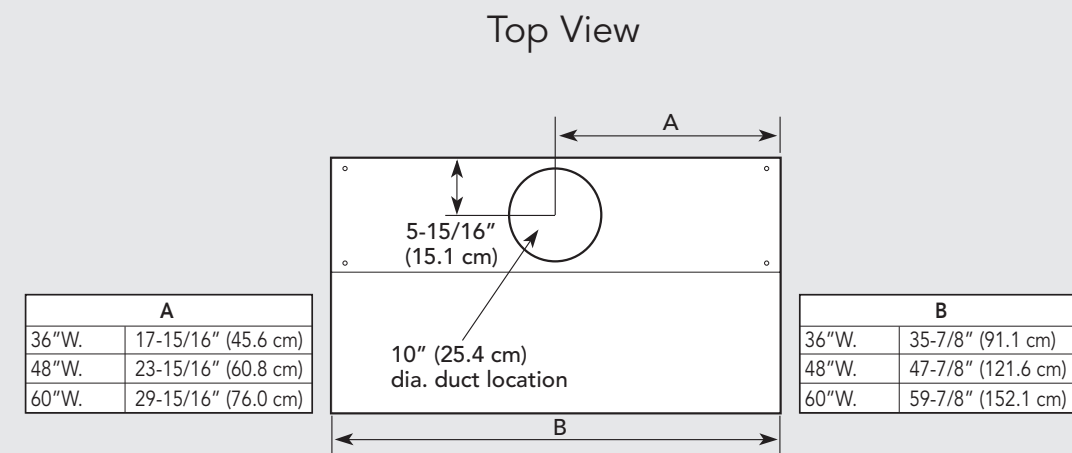
1200 CFM Interior Ventilator Installation for all Wall Hoods

Exterior Ventilator Dimensions

(BVWH 18" H. Wall Hoods)



900 or 1200 CFM Exterior or In-Line Ventilator Installation for all Wall Hoods



1200 or 1500 CFM Exterior or In-Line Ventilator Installation for all Wall Hoods

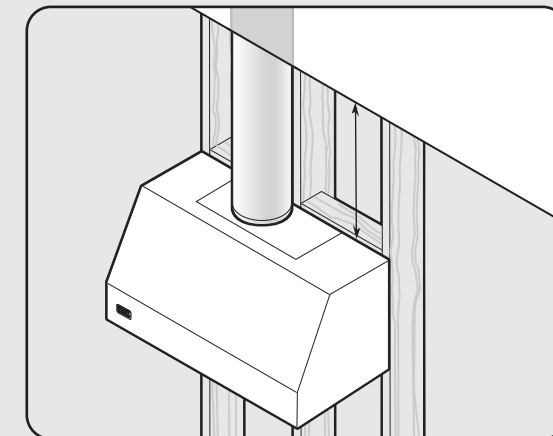
Planning Information

Proper installation of ducting is extremely important to ensure maximum performance from any ventilation product.

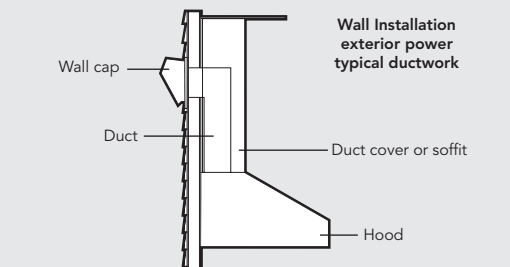
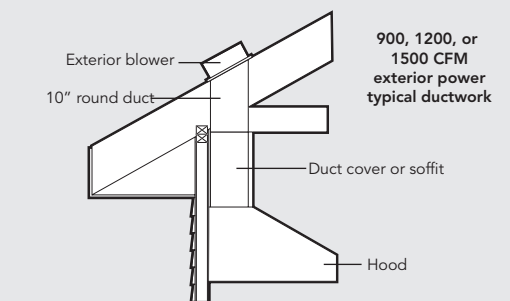
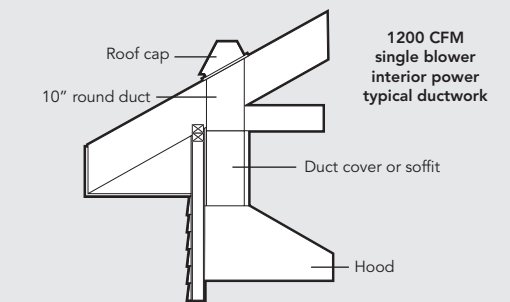
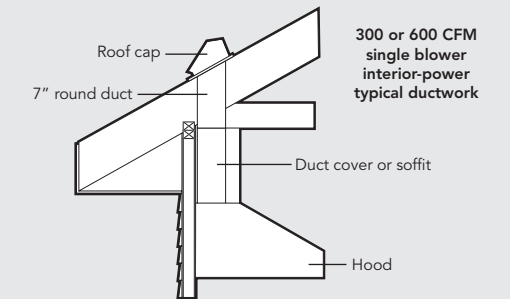
- All CFMs are based on tests at 0.1 static pressure: without applying static pressure, CFM would be greatly overstated.
- Straight runs and gradual turns are best; for example, each 90° elbow is equivalent to 5-10 feet (1.52-3.05 cm) of straight run.
- Never use flexible duct; it creates back pressure/air turbulence and greatly reduces performance.
- Proper performance is dependent on proper ducting; make sure that a qualified and trained installer is used.
- Check with a qualified and trained installer or local codes for makeup air requirement, if any.
- Max. amp rating for hoods includes recommended ventilator kit rating; all products must be hard wired direct with 2-wire with ground.

Plan where the duct work will be located. Install proper-sized duct work, and roof or wall cap for the type of blower you are using. Recommended hood locations for the most common installations are shown. Adjust your measurements for various heights of ceilings, soffits, cabinets, or ranges/rangetops.

Check Framing



NOTE: Because of the weight of the hood make sure that the mounting screws are driven into the framing and not just the drywall. It may be necessary to drill additional holes in the canopy for proper alignment.

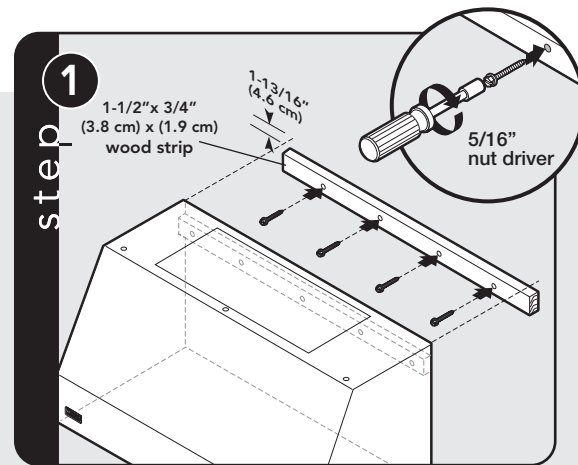


NOTE: Wall exhaust must be a minimum of 24" (61.0 cm) from ground. This may vary depending on local codes and geographic location.

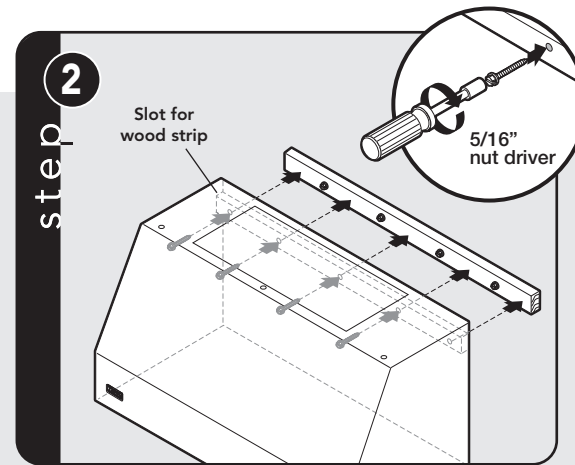
Electrical Supply

Run 120 VAC electrical wiring from service panel to installation location. See Specifications pages for the maximum amp requirements.

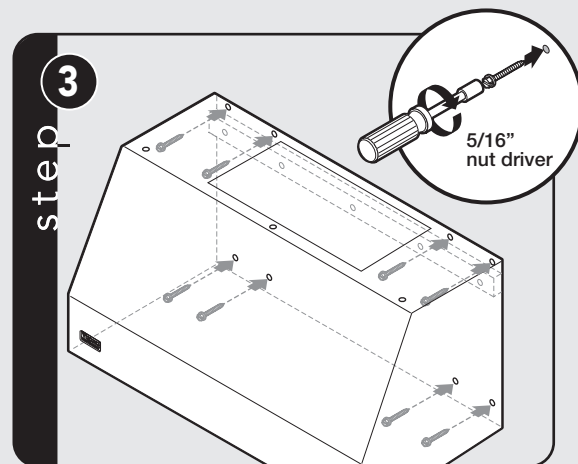
Installation (BWVH 18"H. Wall Hoods)



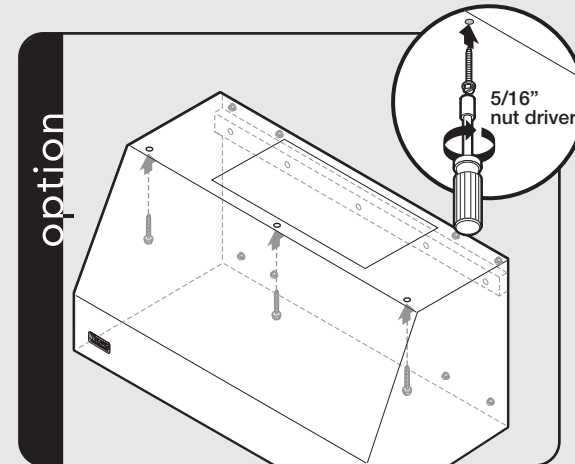
Measure down 1-13/16 (4.6 cm) from desired height of hood and secure 1-1/2" x 3/4" wood strip (provided locally) to wall using screws provided.



Use additional mounting screws to secure hood to wood strip.

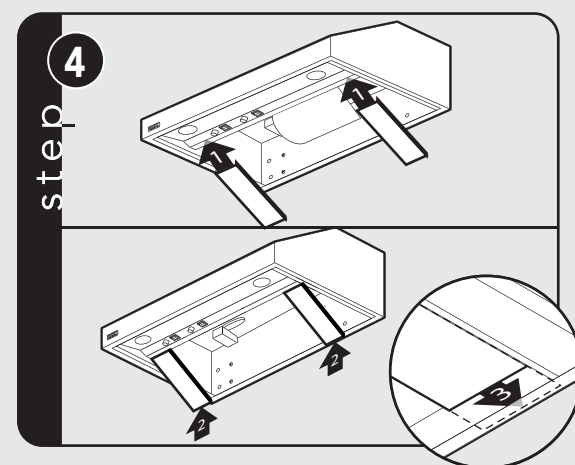


CAUTION: Secure vent hood to wall using screws provided. Use additional mounting screws and wall anchors, if necessary.

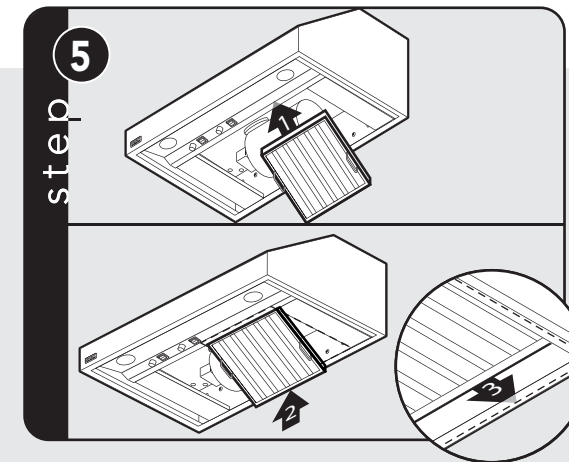


CAUTION: If not using a duct cover, using screws provided, make sure top mounting screws are secured into soffit or cabinet framing use additional mounting screws, if necessary.

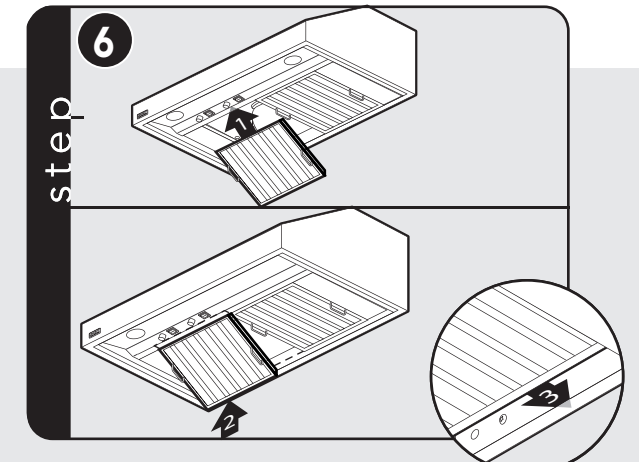
To install ventillation kit refer to ventillation kit installation instructions.



Slide spacer front over front lip. Push spacer rear up, then slide back over rear lip.

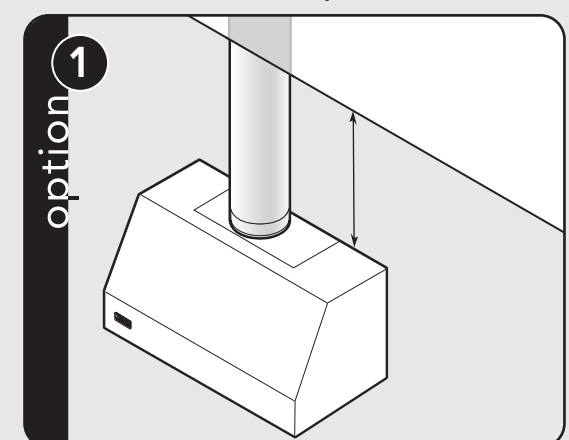


Slide filter front over front lip. Push filter rear up, then slide back over rear lip.

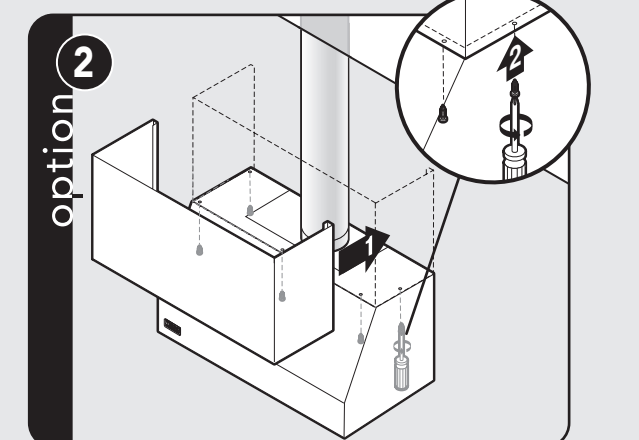


Slide filter front over front lip. Push filter rear up, then slide back over rear lip.

Duct Cover Option (18"H. Wall Hoods)



Measure distance from ceiling to canopy.



Slide the duct cover in place and fasten from inside canopy using the sheet metal screws provided.

Service & Registration

Service & Parts

Only authorized replacement parts may be used in performing service on the appliance. Do not repair or replace any part of the appliance unless specifically recommended in the manual. All other servicing should be referred to a qualified technician.

Record the following information indicated below. You will need it if service is ever required. The serial number and model number for your appliance are located on the identification plate mounted on the inside of the hood canopy.

Model number

Serial number

Date of purchase

Date installed

Dealer's name

Address

Wiring Diagram

BRIGADE BUILT-IN HOODS

