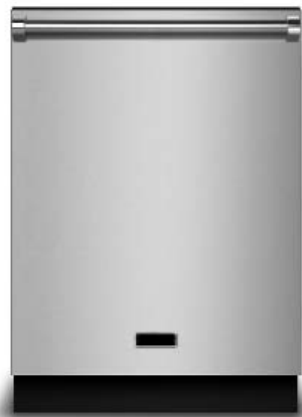


Installation Guide



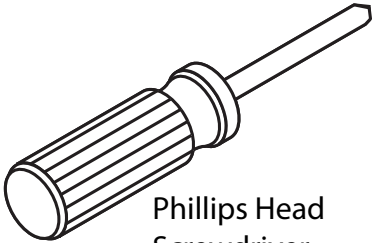
**Dishwasher Door Panel Kits
PDDP242 / RVDP324/TVDDP24**

Door Panel Installation

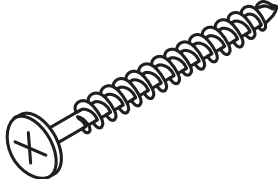
For FDW300/FDW300WS/FDW100/FDW100WS/FDW101 and FDW101W Models (Purchased Separately)

The unit comes with everything needed to make installing the door panel easy.

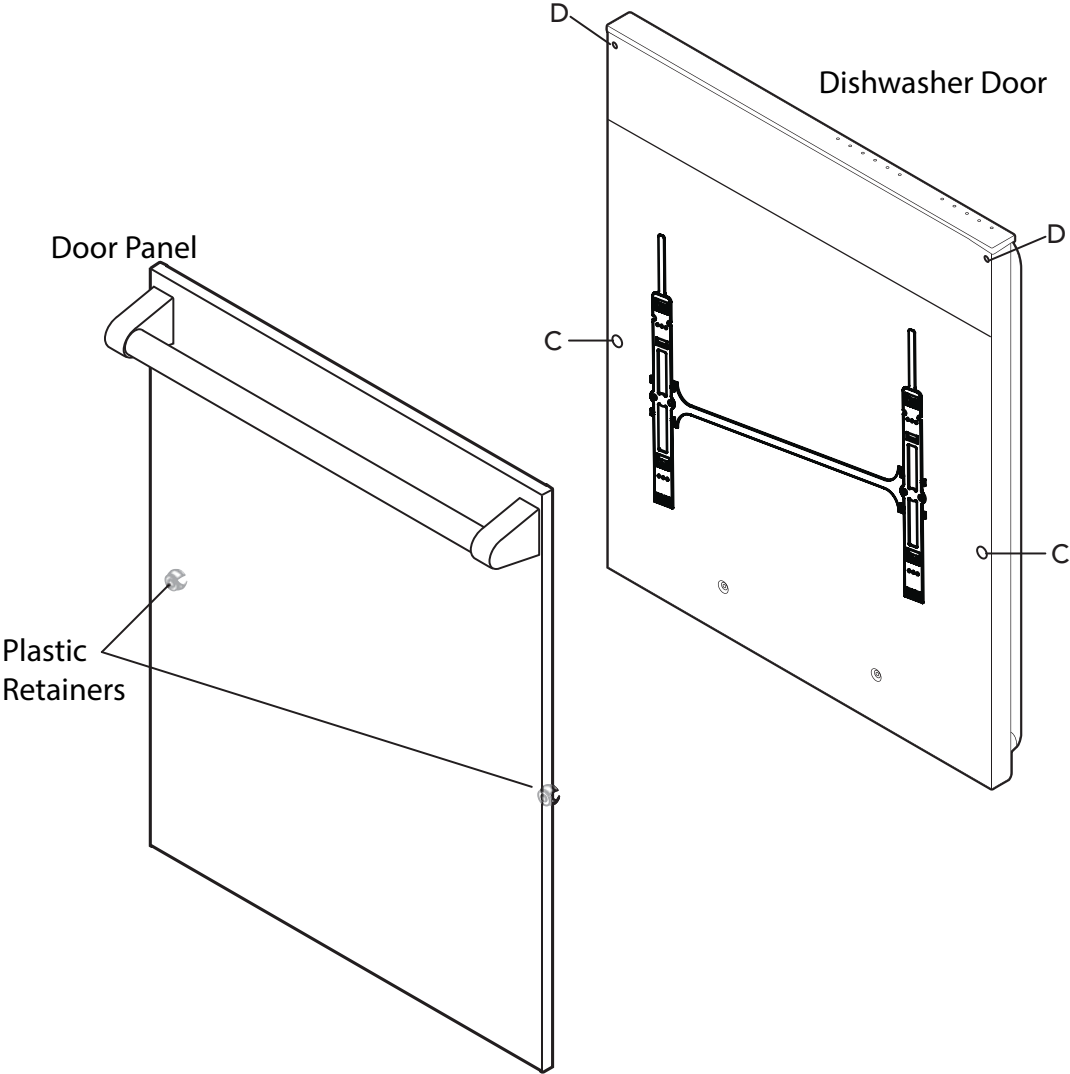
What you will need:



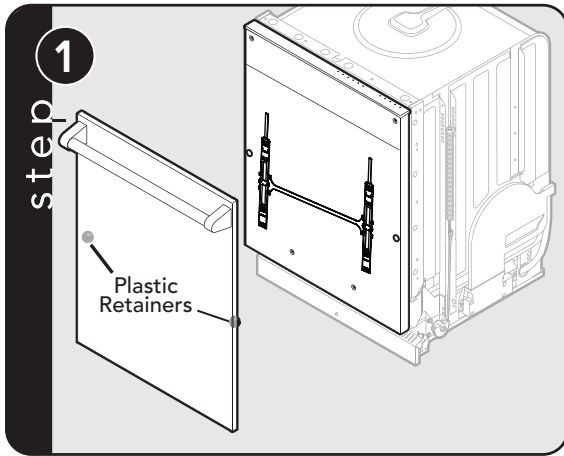
Phillips Head
Screwdriver



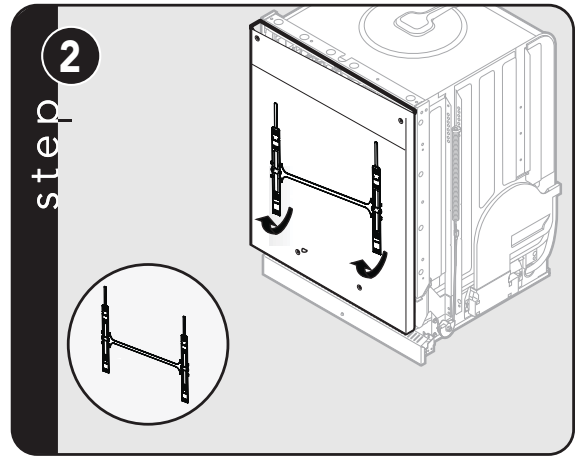
#8 1-3/4" long, Stainless Steel
Phillips Head Screw
(4 supplied)



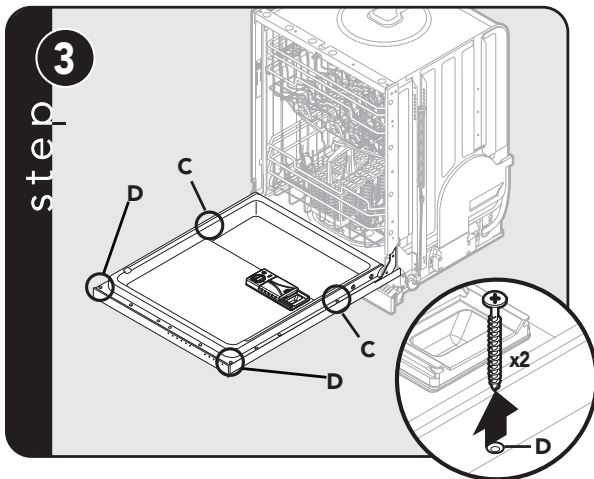
Installation



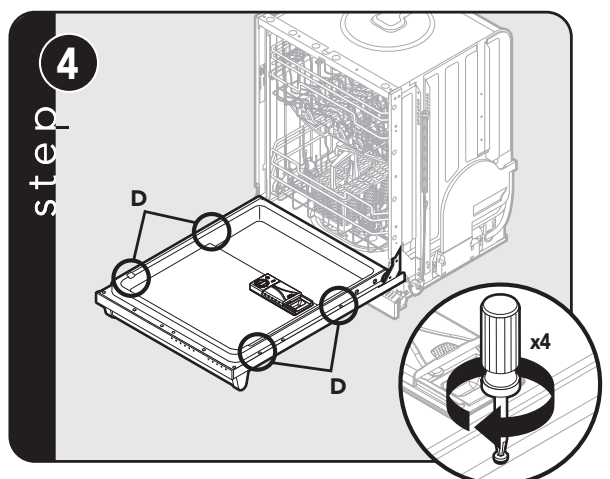
Remove plastic retainers from door panel and discard.



Remove plastic mounting brackets from the dishwasher and discard.



Carefully open the dishwasher door. Remove the (2) white caps from holes (C) and the (2) top screws from holes (D) on dishwasher door.



Carefully secure the door panel to the dishwasher through holes (D) using the four flat PHD screws provided. Carefully tighten all four screws and check to ensure that the panel is square with the dishwasher door.

Do not over tighten screws. This may cause damage to the inner door.

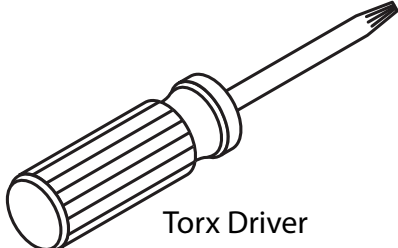
Note: Verify the operation of the door counterbalance springs after installation of the door skin.

Note: Verify that the door does not hit the kickplate. Adjust kickplate if necessary.

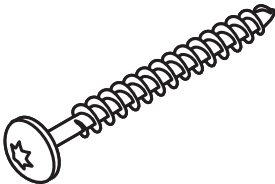
Door Panel Installation For FDB451 Models (Purchased Separately)

The unit comes with everything needed to make installing the door panel easy.

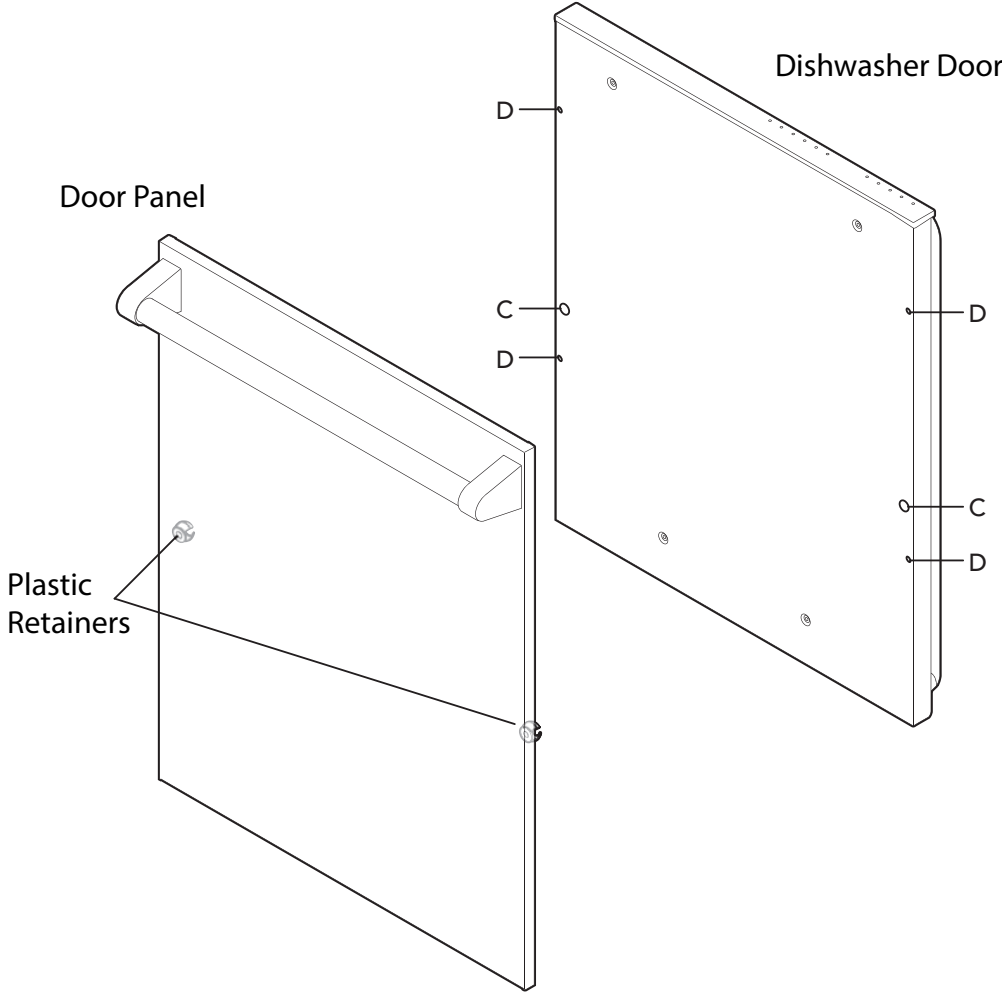
What you will need:



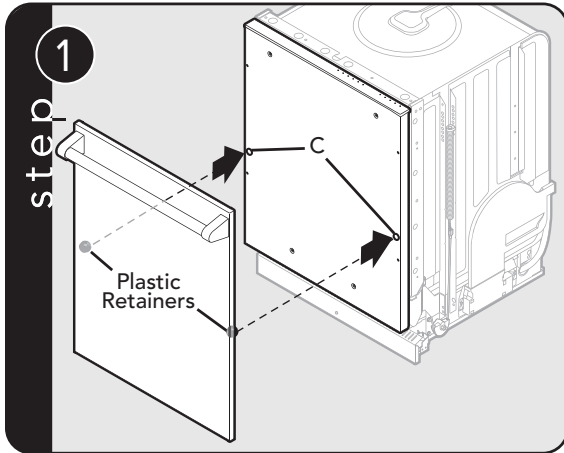
Torx Driver



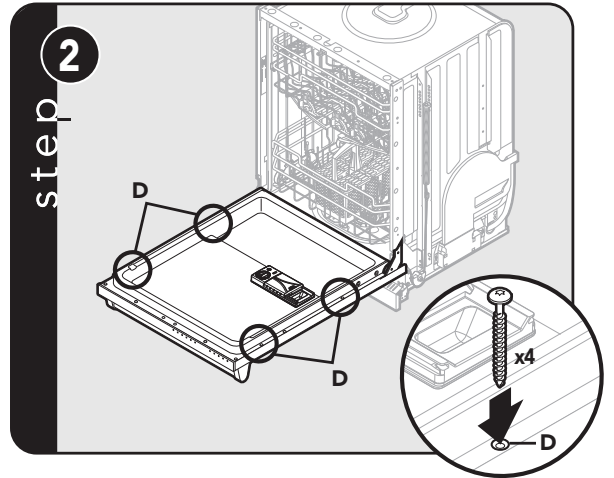
#8 1-3/4" long, Stainless Steel
Truss Head Screw
(4 supplied)



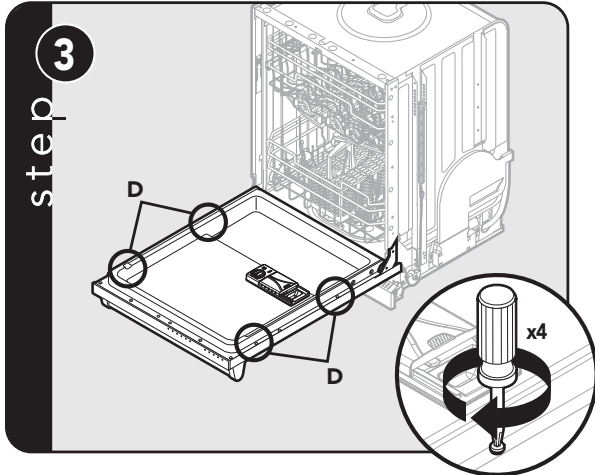
Installation



Position door panel on front of dishwasher door. Snap the plastic retainers on the door panel into the holes (C) on dishwasher door.



While holding the door panel in position, carefully open the dishwasher door. Using the four truss head screws provided, secure the door panel to the four holes (D) on the dishwasher door



Carefully tighten all four screws and check to ensure that the panel is square with the dishwasher door.

⚠ WARNING
The door skin must not obstruct the fan exhaust vent.

Note: Verify the operation of the door counterbalance springs after installation of the door panel

Viking Range, LLC
111 Front Street
Greenwood, Mississippi 38930 USA
(662) 455-1200

For product information,
call 1-888-845-4641
or visit the our web site at vikingrange.com in the US
or brigade.ca in Canada