



5 SERIES 30" AND 36"W. OUTDOOR GAS GRILLS

Viking Professional 5 Series – VGBQ

COMMERCIAL-TYPE COOKING POWER AND FEATURES

- Extremely large grilling surfaces
 - 30" wide grill – 480 sq. in. – 3.3 sq. ft.
 - 36" wide grill – 620 sq. in. – 4.3 sq. ft.
- Polished/brushed edge canopy design
- Stainless steel grates are an excellent conductor of heat to cook food evenly
- Ceramic heat distribution system provides even heat distribution
 - White briquettes with "flip-clean" self-clean design
- 25,000 BTU 304 stainless steel U-shaped burner provides superior corrosion resistance
- EasyLift™ Canopy Assist System is built into canopy and hidden from view
- Control panel illumination with dedicated Viking Blue LED lighting above every control knob
- Laser-etched graphics on control panels
- Smoker box may be removed for use of entire grilling surface
- Rotisserie system
 - Gourmet-Glo™ 15,000 BTU one-piece infrared rotisserie burner
 - Fully enclosed 1/2" stainless steel rotisserie rod with stainless steel forks
 - Heavy-duty rotisserie motor
- Push-to-turn 120V electric ignition system provides a positive, consistent, and continuous spark for easy ignition
- **EXCLUSIVE** – automatic re-ignition system
- Halogen lighting mounted on the inside of canopy provides ample lighting for nighttime grilling
- Stainless steel warming rack can be adjusted to two different positions
- Hermetically sealed, numerical thermometer gives approximate temperatures for grilling, smoking, and warming



EASY MAINTENANCE AND CLEANUP

- Full-width, pull-out drip tray
 - Individual grease management trays under each burner area
 - Stainless steel ball-bearing roller glides allow drip tray to pull out easily and remain level when fully extended

MODEL NUMBERS

- VGBQ53024 – 30"W. Outdoor Gas Grill
- VGBQ53624 – 36"W. Outdoor Gas Grill
- Also available in 42" and 54"W. models
- Specify natural (N) or LP/propane (L) gas
- When installing grill in combustible-type material, an insulated jacket (INJK) is required (purchased separately)

ACCESSORIES

- BQC5301SS – 30" Grill Cart
- BQC5361SS – 36" Grill Cart
- INJK30 – Insulated Jacket for 30" Grill
- INJK36 – Insulated Jacket for 36" Grill
- WG530 – Wind Guard for 30" Grill
- WG536 – Wind Guard for 36" Grill
- Vinyl Covers
- RFK – Rotisserie Forks

COLOR FINISHES

- Available in Stainless Steel (SS)

WARRANTY

- 2-year full – complete product
- 90-day full – cosmetic parts such as glass, painted items and decorative items
- 5-year limited – gas burners





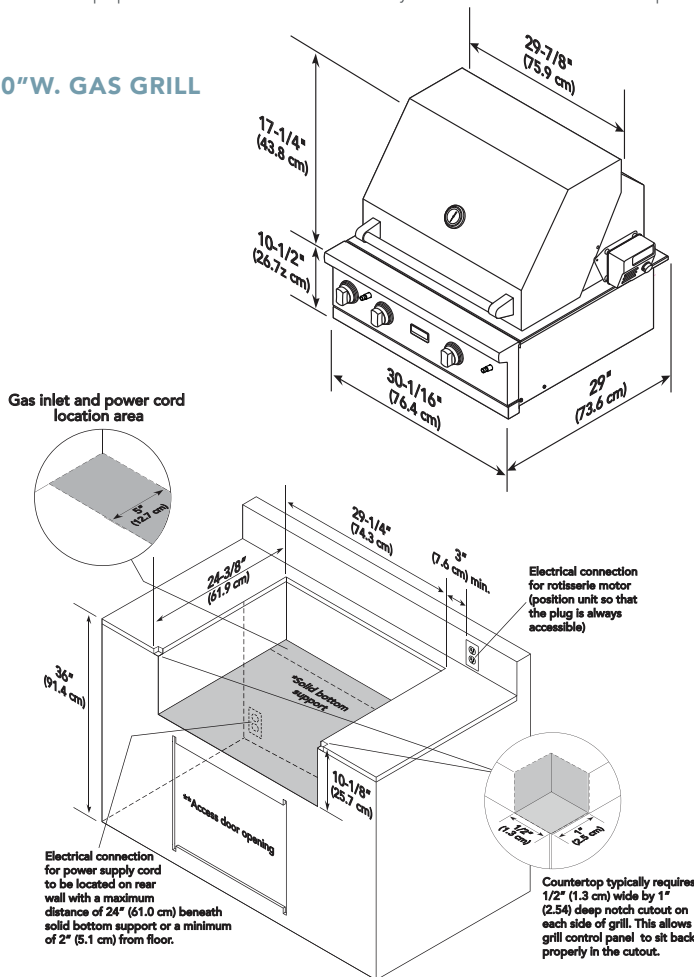
5 SERIES 30" AND 36"W. OUTDOOR GAS GRILLS

Viking Professional 5 Series – VGBQ

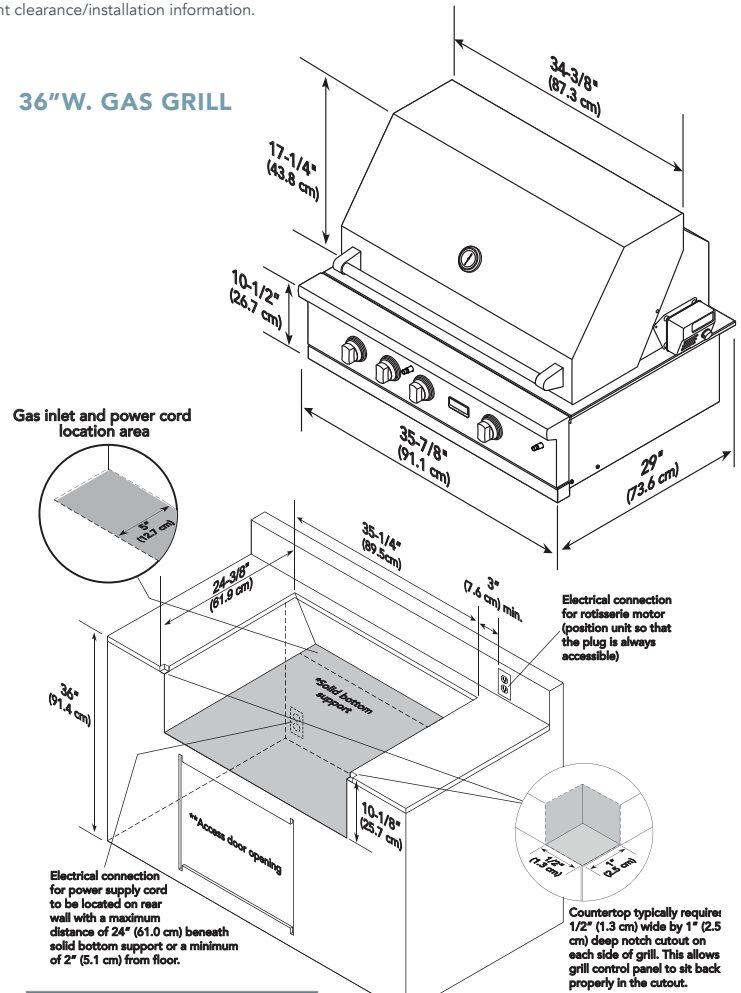
GAS 30" AND 36" W. ULTRA-PREMIUM 5 SERIES GRILLS		
DESCRIPTION	VGBQ53024	VGBQ53624
Overall Width	30-1/16" (76.4 cm)	35-7/8" (91.1 cm)
Overall Depth	29" (73.6 cm)	
Cutout Width	29-1/4" (74.3 cm)	35-1/4" (89.5 cm)
Cutout Depth	24 3/8" (61.9 cm)	
Cutout Height	10-1/8" (25.7 cm)	
Gas Requirements	Natural: standard residential 1/2" (1.3 cm) ID gas service line. LP/Propane: Equipped with high-capacity hose/regulator assembly for connection to standard 5 gal., 20 lb. LP/Propane gas cylinder with a Type 1, QCC-1 connector or standard residential 1/2" (1.3 cm) ID gas service line.	
Electrical Requirements	120VAC/60Hz – 2' (61.0 cm) power supply cord with 3-prong grounded plug attached to grill 120VAC/60Hz – 2' (61.0 cm) power supply cord with 2-prong grounded plug attached to rotisserie motor	
Maximum Amp Usage	2.1 amps	2.2 amps
Grill Burner Rating	25,000 BTU NAT./22,500 BTU LP (7.3 kW NAT./6.5 kW LP)	
Rotisserie Burner Rating	15,000 BTU NAT./13,500 BTU LP (4.4 kW NAT./4.0 kW LP)	
Approximate Shipping Weight	240 lb (109 kg)	255 lbs (116 kg)

Please do not prepare installation from brochure data only. See installation instructions for important clearance/installation information.

30"W. GAS GRILL



36"W. GAS GRILL



IMPORTANT

Cutout dimensions will be different when installing next to combustible materials and using an INJK insulated jacket kit (sold separately).



VIKING RANGE, LLC 111 FRONT STREET GREENWOOD, MISSISSIPPI 38930 USA

For detailed product information, model numbers, or to request a quote call 1-888-845-4641 or visit vikingrange.com
© 2017 Viking Range, LLC All rights reserved. Specifications subject to change without notice.