

## DISHWASHER

### FDW102 – 24" WIDE DISHWASHER

### FDW102WS – 24" WIDE DISHWASHER WITH WATER SOFTENER



#### Multi-Level Washing

- Multi-level washing with three spray arms ensures clean dishes
- Turbidity sensor monitors the soil level of the dishes
- Triple filtration system removes the smallest particles for clean water circulation
- Flow-through water heater is concealed to provide a safer alternative to exposed heaters

#### Condensate Quick Dry

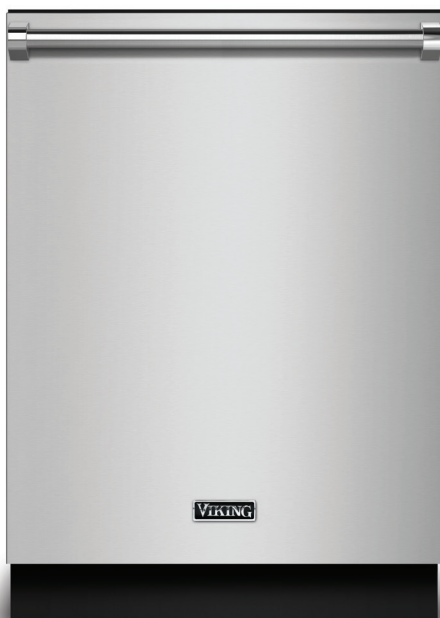
- Moisture condensates on the cooler stainless steel tank and door and drains to the sump area
- Quick and efficient drying

#### Quiet Clean™ Performance Package – 50 dB

- Three layers of insulation – bitumen, cotton, and full side walls create one of the quietest dishwashers on the market

#### Loading

- Accommodates 12 international place settings
- Two position adjustable upper rack allows for taller glasses in upper rack or larger pans in bottom rack
  - Two stemware cradles/cup shelves
  - Adjustable tines
- Lower rack – four rows adjustable tines for easy loading of pans
- One-piece silverware/cutlery basket



24" Wide Dishwasher  
(Shown with optional accessory panel)

#### Built-In Water Softener (FDW102WS model)

- Reduces water hardness to a manageable level to prevent glasses and dishes from etching

#### Cycles/Options

- Cycles
  - Pots/Pans Plus
  - Normal Wash
  - Light/China
  - Fast Wash
  - Rinse/Hold
- Options
  - Half Load
  - Tablet Function
  - Delay Start (up to 9.5 hours)
- LCD screen with remaining time indicator
- NEW cycle run floor indicator light
- Energy Star Qualified

#### Finishes

- Available in Custom Panel Model (no front)
- Optional Viking Door Panel (RVDP324) available in Stainless Steel (SS), Black (BK), and White (WH)



#### Warranty Highlights

- One-year full – complete product
- Ninety-day full – cosmetic parts such as glass, painted items, and decorative items
- Lifetime limited – tank and inner door
- Five-year limited – electronic controls, racks, motor/pump assemblies and water distribution system

# DISHWASHER

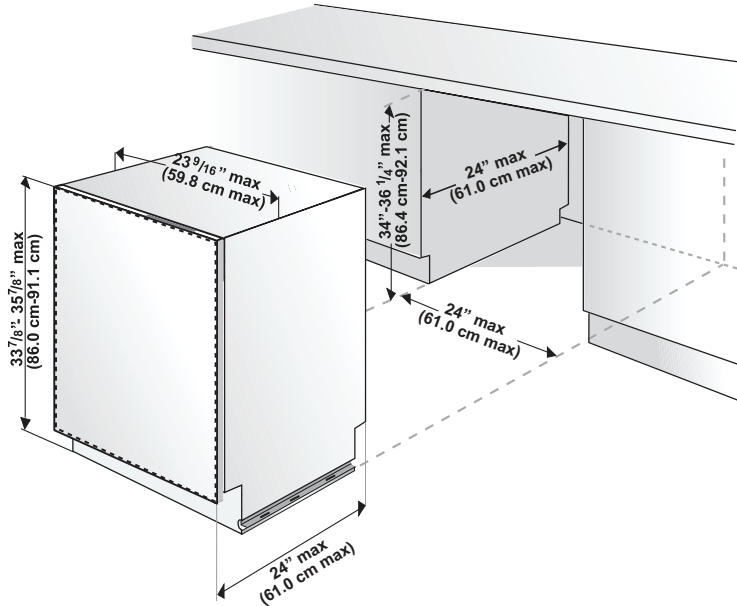
## FDW102 – 24" WIDE DISHWASHER

## FDW102WS – 24" WIDE DISHWASHER WITH WATER SOFTENER



24" W. 102 MODEL DISHWASHER	
DESCRIPTION	FDW102/FDW102WS
Overall Width	23-9/16" (59.8 cm)
Overall Height from Floor	33-7/8" (86.0 cm) minimum to 35 7/8" (91.1 cm) maximum
Overall Depth	To front of door panel: 22 3/16" (56.4 cm)
Cutout Width	24" (61.0 cm)
Cutout Height	34" (86.4 cm) minimum to 36" (91.4 cm) maximum
Cutout Depth	24" (61.0 cm)
Electrical Requirements	12.0 amps, 115V/60Hz; 4" (120cm) electrical cord with supplied with unit
Water-Heating Element Rating	1240 watts
Inlet Water Temperature	120°F (49°C) required
Drain Hose	6.4' (1.9m) drain hose provided
Drain Hose High Loop Required	Height from floor – 28" (71.0 cm)
Approximate Shipping Weight	97 lb. (44 kg)

Please do not prepare installation from brochure data only. See installation instructions for important clearance/installation information.



VIKING RANGE, LLC 111 FRONT STREET GREENWOOD, MISSISSIPPI 38930 USA

For detailed product information, model numbers, or to request a quote call 1-888-845-4641 or visit [vikingrange.com](http://vikingrange.com)  
 © 2013 Viking Range, LLC | Specifications subject to change without notice.