

GAS COOKTOPS

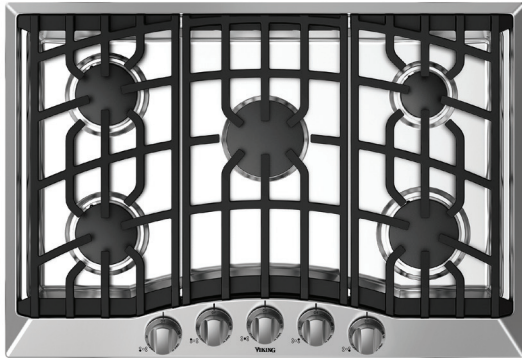
RVGC330-5B – 30" WIDE

RVGC336-5B – 36" WIDE

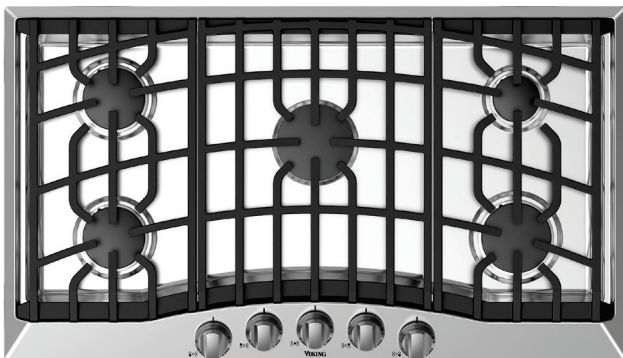


Features and Functions

- Wide variety of BTU ratings to accommodate all types of surface cooking needs
- 30" wide model – 5 burners
 - Left front – 9,100 BTU
 - Left rear – 9,100 BTU
 - Center – 17,000 BTU
 - Right front – 12,000 BTU
 - Right rear – 5,000 BTU
- 36" wide model - 5 burners
 - Left front – 9,100 BTU
 - Left rear – 9,100 BTU
 - Center – 17,000 BTU
 - Right front – 12,000 BTU
 - Right rear – 5,000 BTU
- Sealed burners with aluminum flame ports and porcelainized, cast-iron burner caps
- **Exclusive** – SureSpark™ Ignition System
- Automatic electronic spark ignition/re-ignition surface burners light at any position on the knob and re-light if extinguished, even on lowest setting



30" Wide Gas Cooktop



36" Wide Gas Cooktop

Easy Operation and Cleanup

- Permanently sealed burners – spills cannot enter burner box
- One-piece, extremely durable steel top with separate spill collection areas
- Durable metal die-cast knobs with child-proof, push-to-turn safety feature
- Customer-removable knobs, grates, and burners/caps for easy cleaning
- Continuous grate design for easy movement of pots and pans
- Overall/burner box dimensions designed to fit majority of similarly sized cooktop cutouts

Installation Accessories

- LP conversion kit (RDLPKC)

Finish

- Available in Stainless Steel (SS)



– Finish designates top; all units have black porcelain grates and burner caps

Warranty Highlights

- One-year full – complete product
- Ninety-day full – cosmetic parts such as glass, painted items, and decorative items
- Five-year limited – surface burners

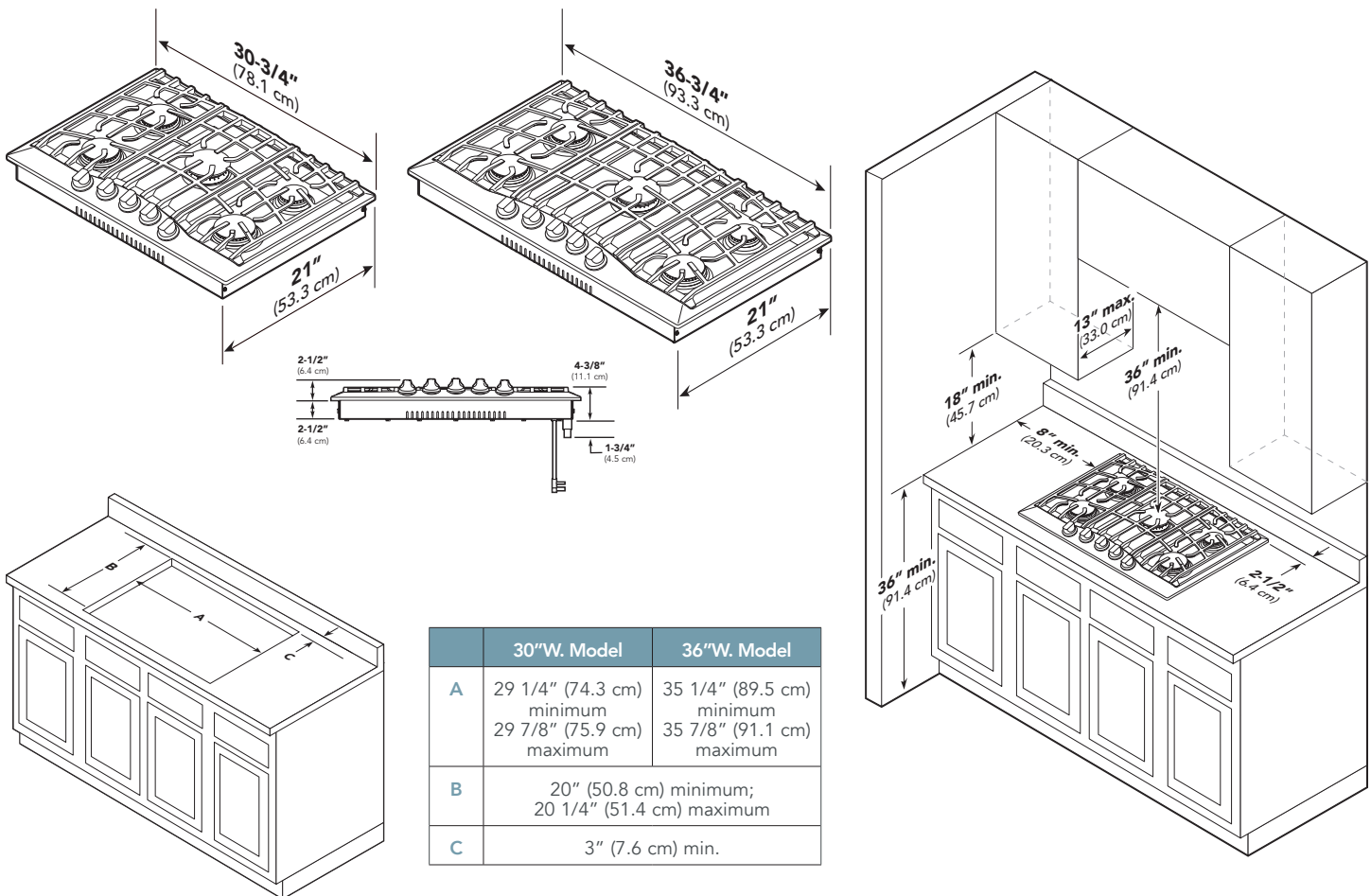
GAS COOKTOPS

RVGC330-5B – 30" WIDE

RVGC336-5B – 36" WIDE



| DESCRIPTION | GAS 30" AND 36" WIDE COOKTOPS | |
|-----------------------------|--|--|
| | RVGC330-5B | RVGC336-5B |
| Overall Width | 30 3/4" (78.1 cm) | 36 3/4" (93.3 cm) |
| Overall Height | 4 3/8" (13.7 cm) | |
| Overall Depth | 21" (53.3 cm) | |
| Cutout Width | 29 1/4" (74.3 cm) minimum 29 7/8" (75.9 cm) maximum | 35 1/4" (89.5 cm) minimum 35 7/8" (91.1 cm) maximum |
| Cutout Height | 3 1/8" (7.9 cm) | |
| Cutout Depth | 20" (50.8 cm) minimum; 20 1/4" (51.4 cm) maximum | |
| Gas Requirements | Ships Natural or LP/Propane; Field convert with conversion kit (purchased separately); accepts standard residential 1/2" (1.3 cm) ID gas service line. | |
| Electrical Requirements | 120VAC/60Hz; 4 ft. (121.9 cm), 3-wire cord with grounded 3-prong plug attached to product | |
| Maximum Amp Usage | 2.0 amps | |
| Surface Burner Rating | Left Front – 9,100 BTU Left Rear – 9,100 BTU Center – 17,000 BTU Right Front – 12,000 BTU Right Rear – 5,000 BTU | Left Front – 9,100 BTU Left Rear – 9,100 BTU Center – 17,000 BTU Right Front – 12,000 BTU Right Rear – 5,000 BTU |
| Approximate Shipping Weight | 49 lb. (22.0 kg) | 74 lb. (33.3 kg) |



VIKING RANGE, LLC 111 FRONT STREET GREENWOOD, MISSISSIPPI 38930 USA

For detailed product information, model numbers, or to request a quote call 1-888-845-4641 or visit vikingrange.com

© 2013 Viking Range, LLC I Specifications subject to change without notice.