



5 SERIES 30"W. INDUCTION RANGE

Viking 5 Series – VIR

COMMERCIAL-TYPE COOKING POWER

- MagneQuick™ Induction Power Generators utilize magnetic energy for superior power, responsiveness, and efficiency
- Power management induction system provides a boost of superior power on all elements for faster boil times
- Large 9" induction elements each provide up to 3,700 watts of power
 - Four large 9" 3,700–2,300-watt induction elements
- Simmer setting is perfect for gentle melting or keeping cooked food warm
- Heavy-duty BlackChrome™ knobs and square bezels shipped standard
- One of the largest oven cavities in the industry
- **EXCLUSIVE** – patented Vari-Speed Dual Flow™ Convection System has the largest convection fan in the industry; the 8-1/2" fan works bi-directionally for maximum airflow and excellent cooking results
- Concealed 10-pass dual bake element provides precise temperature control
- Large 10-pass broiler with heat reflector
- Rapid Ready™ Preheat provides one of the fastest preheat times, meaning less wait time for the oven to preheat
- Oven has six porcelain-coated rack positions and comes standard with three oven racks
- **EXCLUSIVE** – Gentle Close™ Door allows door to close slowly
- Three strategically located oven lights provide maximum visibility
- High-performance cooking modes include bake, convection bake, TruConvec convection cooking, convection roast, broil, convection broil, convection dehydrate, and convection defrost



EASY OPERATION AND CLEANUP

- **NEW** surface graphics on strong, wear-resistant glass ceramic surface for excellent cleanability
- Self-cleaning porcelain oven
- Concealed 10-pass dual bake element makes for easy cleanup of the oven cavity

MODEL NUMBER

- VIR53024B – 30"W. Induction Range; four elements

ACCESSORIES

- BG8530SS – 8"H. backguard for 30" range
- HS24530SS – high shelf for 30" range
- P24CSTSS – countertop side trim (2 pieces)
- P30CRTSS – countertop rear trim for 30" range
- P30CBF4SS – curb base and custom curb base front for 30" range

COLOR FINISHES

- Stainless Steel (SS) and White (WH)
- Available in 14 exclusive color finishes Alluvial Blue (AB), Arctic Gray (AG), Black Forest Green (BF), Bywater Blue (BW), Cast Black (CS), Cypress Green (CY), Damascus Gray (DG), Frost White, (FW) Kalamata Red (KA), Pacific Gray (PG), Reduction Red (RE), Slate Blue (SB), San Marzano Red (SM), Vanilla Cream (VC)



WARRANTY

- 2-year full – complete product
- 90-day full – cosmetic parts such as glass, painted items and decorative items
- 5-year limited – induction element components

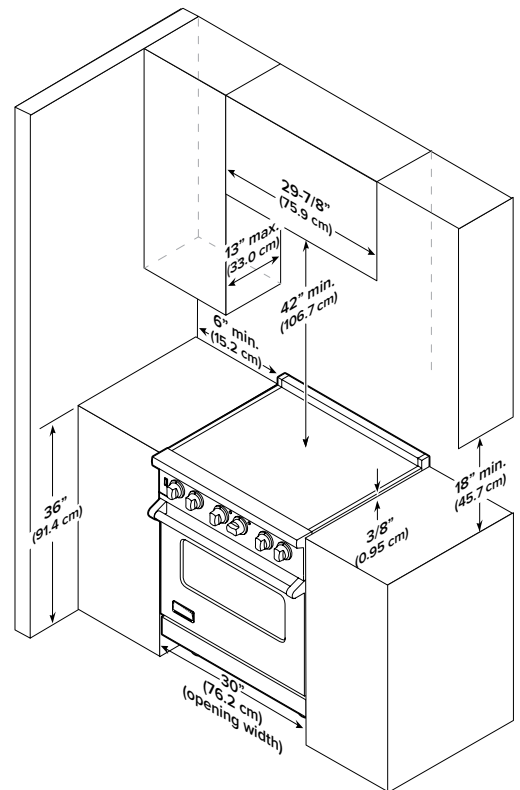
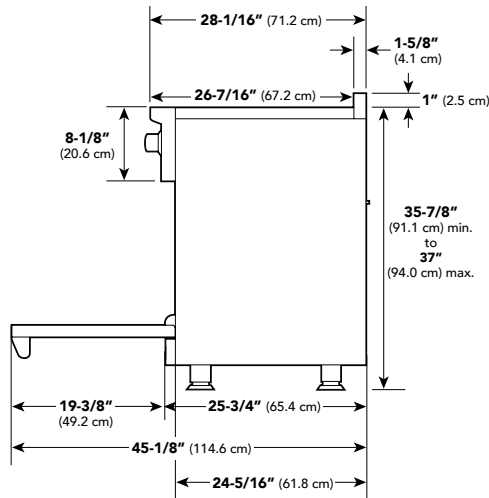
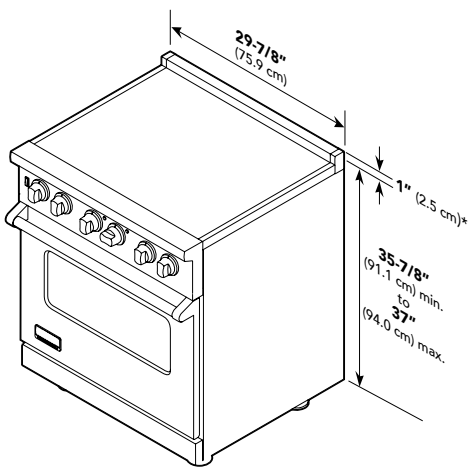


5 SERIES 30"W. INDUCTION RANGE

Viking 5 Series – VIR

30"W. INDUCTION RANGE	
DESCRIPTION	VIR5302
Overall Width	29 7/8" (75.9 cm)
Overall Height from Bottom	Base Height To top of glass frame – minimum 35 7/8" (91.1 cm) to maximum 37" (94 cm); legs adjust 1 1/8" (2.9 cm) Additions to Base Height To top of island trim – add 1" (2.5 cm); to top of backguard – add 8" (20.3 cm) To top of high shelf – add 23 1/2" (59.7 cm)
Overall Depth from Rear	To end of side panel – 24 5/16" (61.8 cm) To front of door – 25 3/4" (65.4 cm) To end of door handle – 28 11/16" (72.9 cm)
Electrical Requirements	240-208VAC, 60 Hz electrical connection box on product, connect with locally supplied 3-wire, flexible cord or "pigtail" rated 50 amp 125-250VAC minimum. Cord must be agency approved for use with household electric ranges.
Circuit Breaker	50 amp dedicated circuit
Surface Burner/Element Rating	Left Front: 3,700-watt boost/2,300 watts Left Rear: 3,700-watt boost/2,300 watts Right Front: 3,700-watt boost/2,300 watts Right Rear: 3,700-watt boost/2,300 watts
Oven Interior Dimensions	Overall Width – 25-5/16" (64.6 cm) Height – 16-1/2" (41.9 cm) Depth – 19-1/2" (49.5 cm) Overall Size – 4.7 cu. ft. AHAM Standard* – 4.1 cu. ft. 3 racks, 6 rack positions
Approximate Shipping Weight	426 lb. (191.7 kg)

Please do not prepare installation from brochure data only. See installation instructions for important clearance/installation information.
 **The AHAM Standard for measuring oven capacity subtracts the door plug and convection baffle dimension from the total oven volume.
 208V ratings – Time required for some functions may be extended due to less wattage.



VIKING RANGE, LLC 111 FRONT STREET GREENWOOD, MISSISSIPPI 38930 USA

For detailed product information, model numbers, or to request a quote call 1-888-845-4641 or visit vikingrange.com
 © 2023 Viking Range, LLC All rights reserved. Specifications subject to change without notice.

