



5 SERIES OUTDOOR GAS WOK/COOKER

Viking Professional 5 Series – VGWTO

PROFESSIONAL FEATURES

- 27,500 BTU burner for high-heat/fast cooking
- Control panel illumination
 - Dedicated Viking Blue LED lighting above control knob
 - Stainless steel knob
- Push-button, battery powered electronic ignition provides a positive, consistent, and continuous spark for easy lighting
- Two-piece heavy-duty, porcelainized, cast-iron, removable burner grate
- Exclusive agency-certified center trivet converts burner grate for use with large stock pots
- 20" wide steel wok with top
- Removable, stainless steel pull-out drip tray with roller-bearing glides, full-length handle, and solid welded/finished end caps; removable grease pan
- Standard stainless steel island trim and countertop side trim

COMMERCIAL-STYLE CONSTRUCTION

- Large, easy-to-read knob with childproof, push-to-turn safety feature
- Stainless steel landing ledge with solid, welded, seamless finish
- Stainless steel burner cover with handle shields burner area from the elements when wok is not in use

MODEL NUMBERS

- VGWTO52421N – 24"W. Gas Wok/Cooker (natural gas)
- VGWTO52421L – 24"W. Gas Wok/Cooker (LP/propane)



ACCESSORY

- VBBO2602SS – Outdoor stainless steel cabinet for wok/cooker

COLOR FINISHES

- Available in Stainless Steel (SS)

WARRANTY

- 2-year full – complete product
- 90-day full – cosmetic parts such as glass, painted items and decorative items
- 5-year limited – gas burner



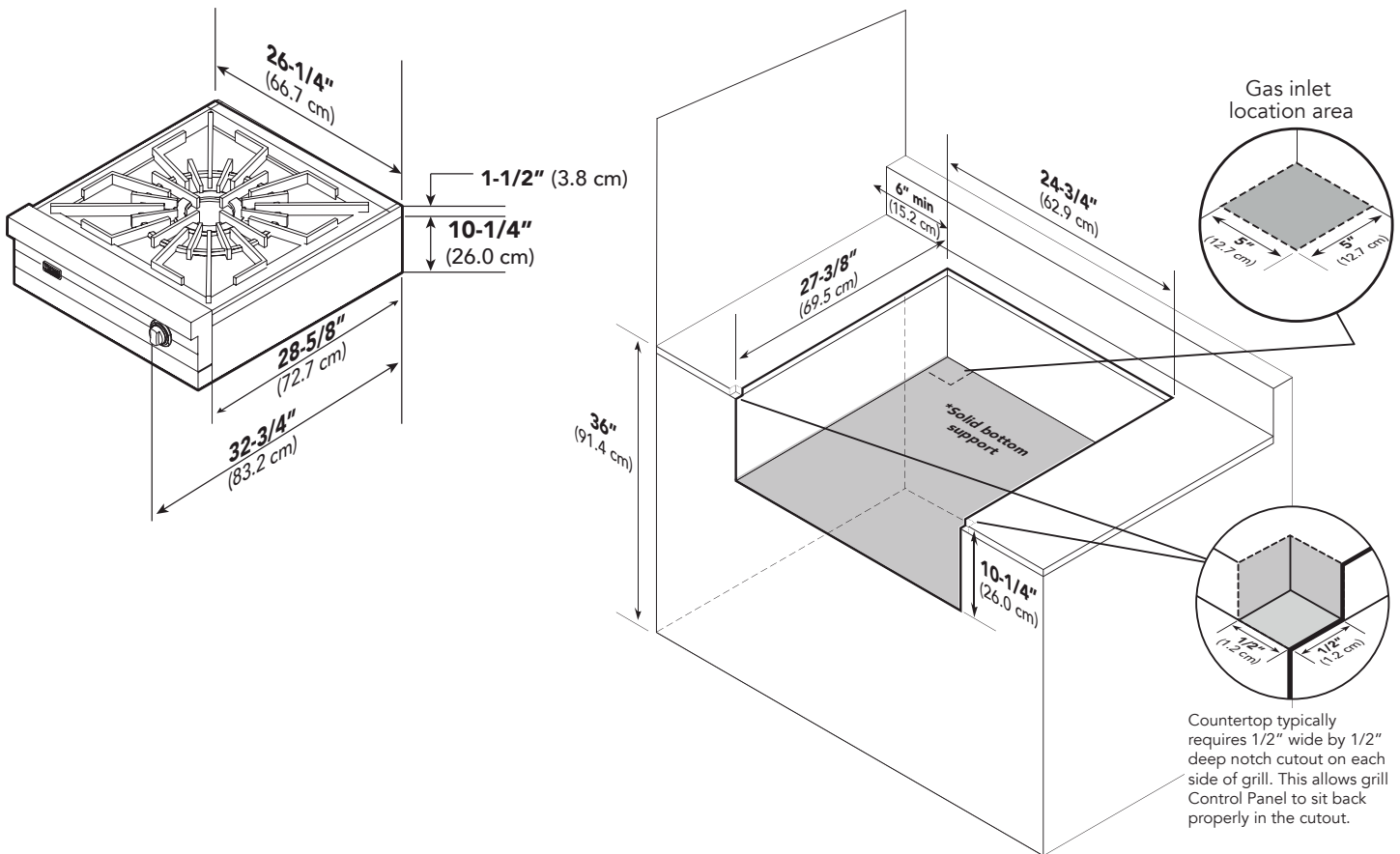


5 SERIES OUTDOOR GAS WOK/COOKER

Viking Professional 5 Series – VGWTO

GAS 24" W. WOK/COOKER	
DESCRIPTION	VGWTO5241
Overall Width	26-1/4" (66.7 cm)
Overall Height From Bottom	11-3/4" (29.8 cm) to cooking surface
Overall Depth From Rear	32-3/4" (83.2 cm) to end of knobs
Cutout Width	24-3/4" (62.9 cm)
Cutout Height	10-1/4" (26.0 cm)
Cutout Depth	27-3/8" (69.5 cm) minimum 27-7/8" (70.8 cm) maximum
Gas Requirements	Natural: standard residential 1/2" (1.3 cm) ID gas service line LP/Propane: standard residential 1/2" (1.3 cm) ID gas service line or equipped with high-capacity hose/regulator for connection to standard 20 lb. LP/Propane cylinder with a Type 1, QCC-1 connector. Unit must be ordered Natural or LP/Propane – unit is not field-convertible.
Maximum Amp Usage	.08 amps
Burner Rating	27,500 BTU NAT./27,500 BTU LP/Propane
Approximate Shipping Weight	160 lb (72.0 kg)

Please do not prepare installation from brochure data only. See installation instructions for important clearance/installation information.



VIKING RANGE, LLC 111 FRONT STREET GREENWOOD, MISSISSIPPI 38930 USA

For detailed product information, model numbers, or to request a quote call 1-888-845-4641 or visit vikingrange.com
© 2015 Viking Range, LLC All rights reserved. Specifications subject to change without notice.