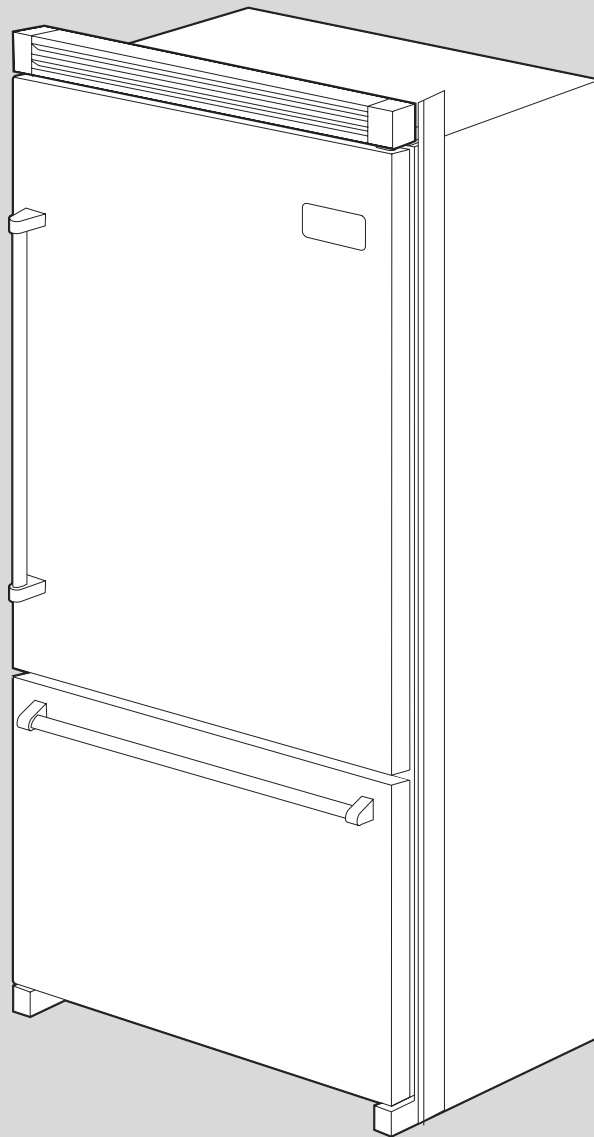


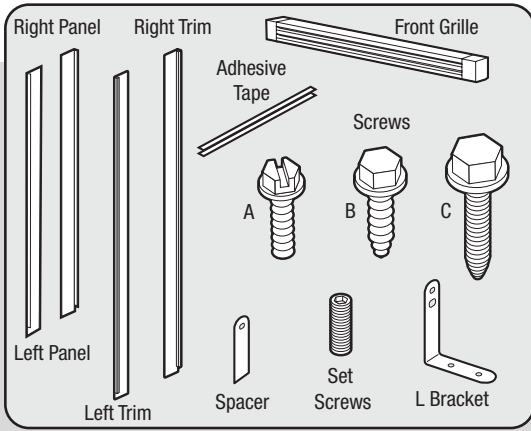
Viking Installation Guide



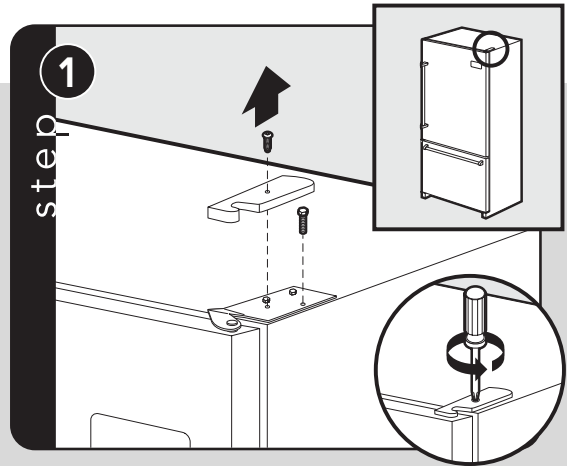
Free-Standing Refrigeration Side Trim & Grille Installation

Viking Range Corporation
111 Front Street
Greenwood, Mississippi 38930 USA

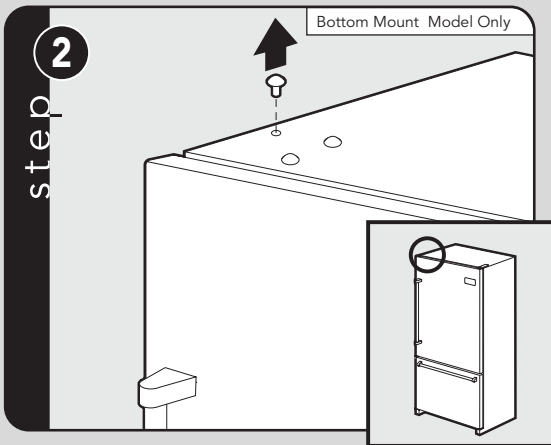
Installation



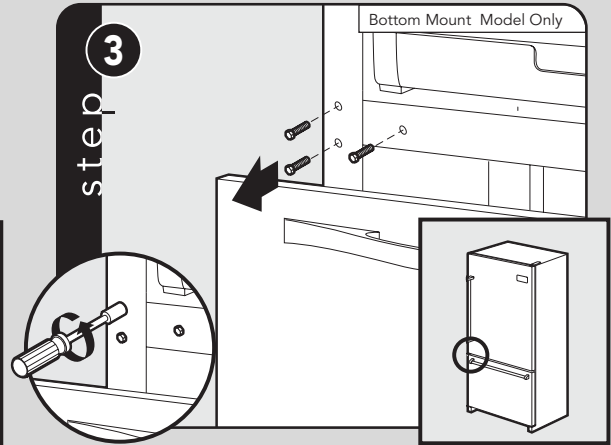
Required Components



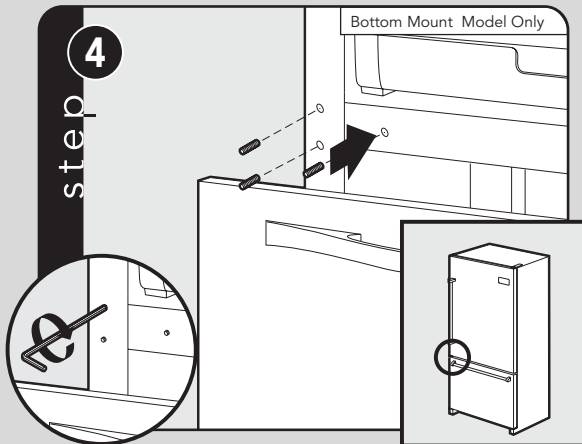
Remove and discard screw and hinge cover. Remove screw on hinge plate.
 (Repeat if two hinges are used.)



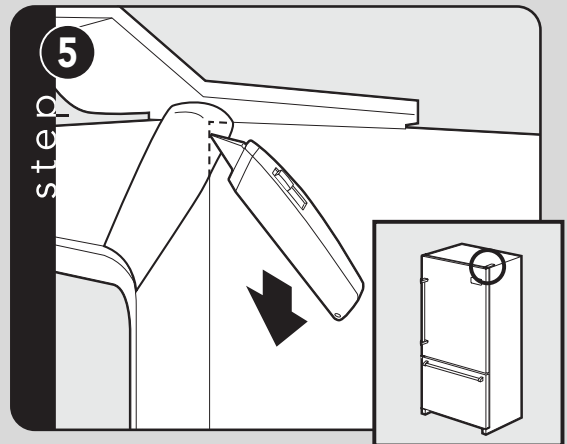
Remove and discard plug button from hole on non-hinge side.



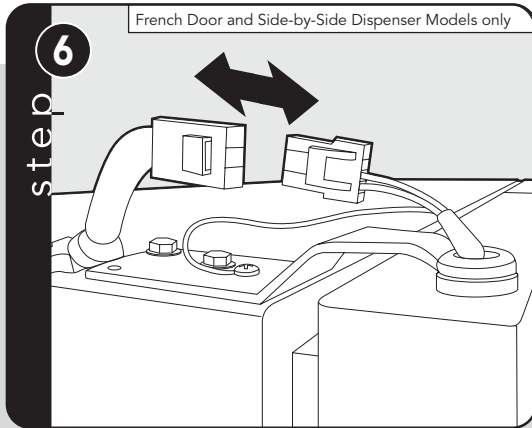
Remove three screws from mullion area opposite the center hinge.



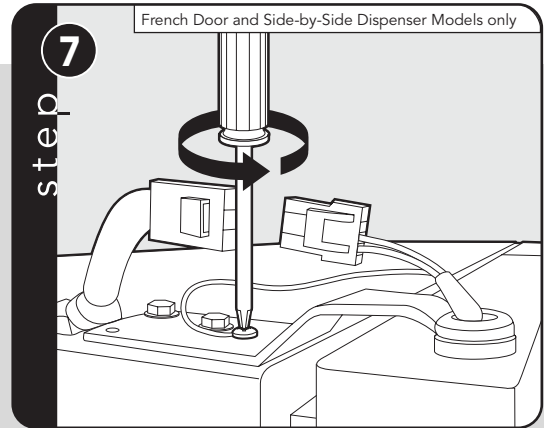
Install set screws from bag into holes from previous step.



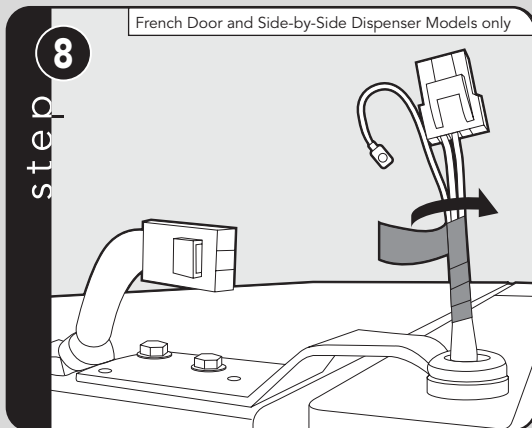
Remove edge of corner cover.



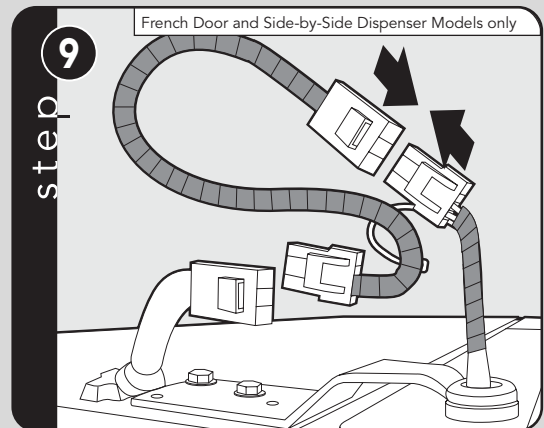
Unplug harnesses on door.



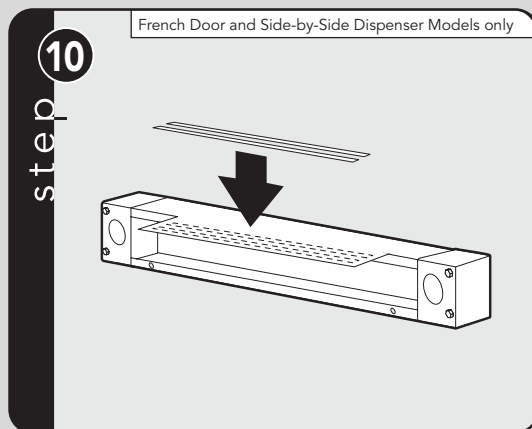
Remove ground screw from hinge on door. Hold for replacement.



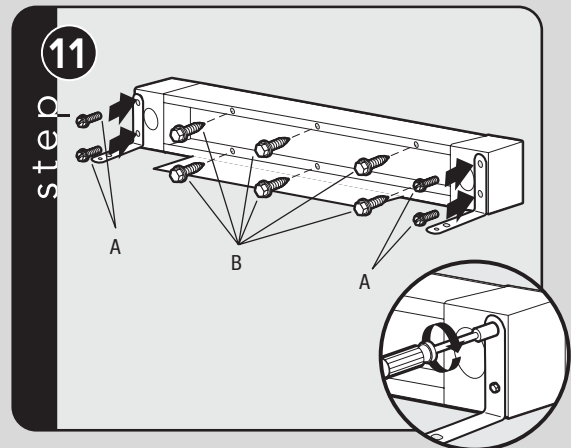
Apply electrical tape to harnesses and ground wire coming from door.



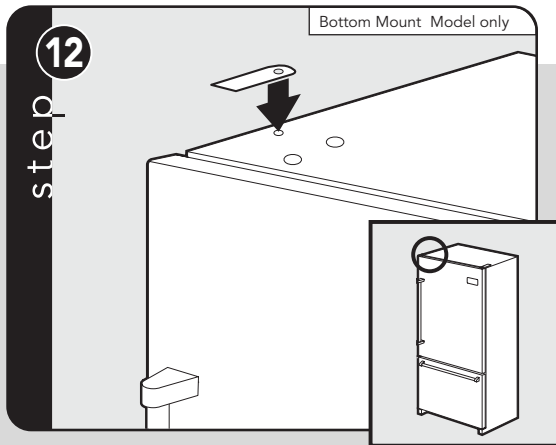
Plug in proper harness kit to the harness coming from the door.



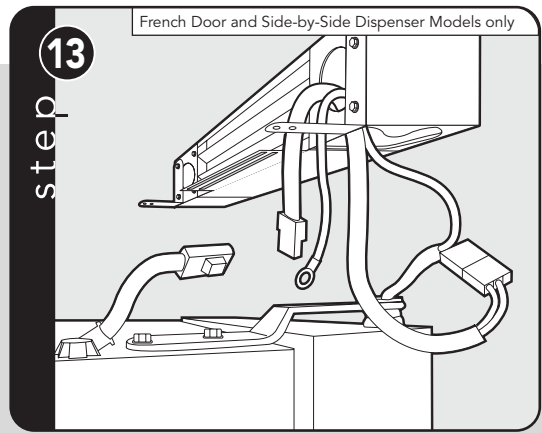
Apply adhesive tape to grille assembly.



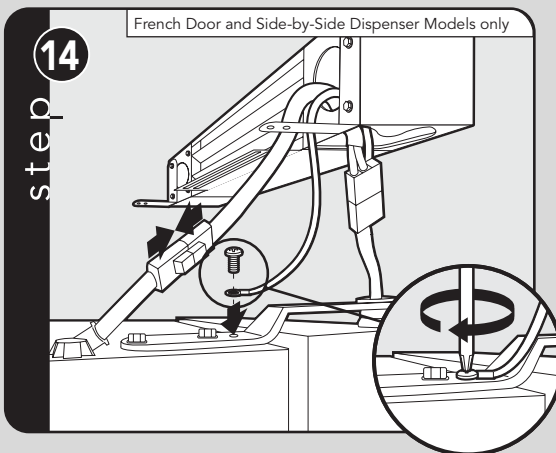
Attach brackets included in the kit to the grille assembly.



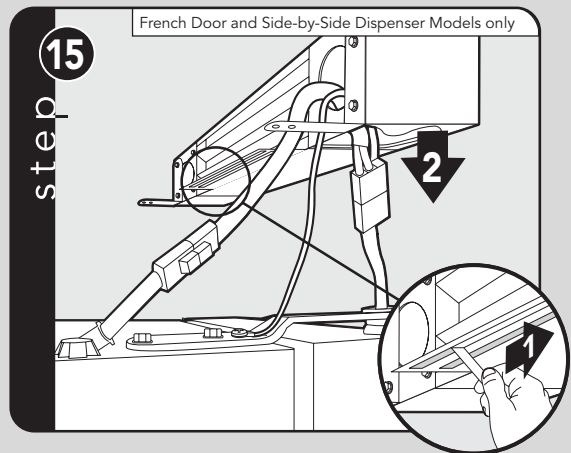
Position spacers included in the kit on the non-hinge side over the exposed hole from step one.



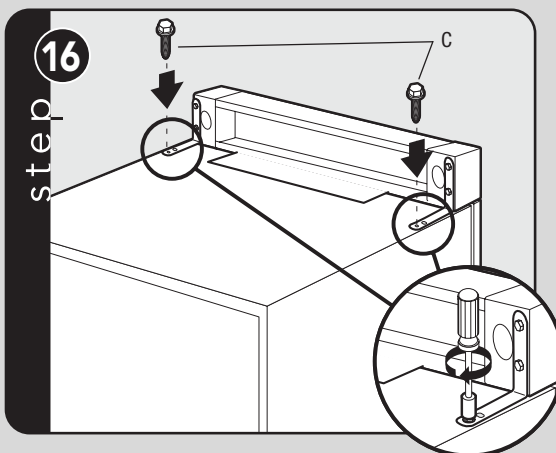
Feed wire harness and ground wire through the bottom of the endcap and out through the hole in the rear of the grille.



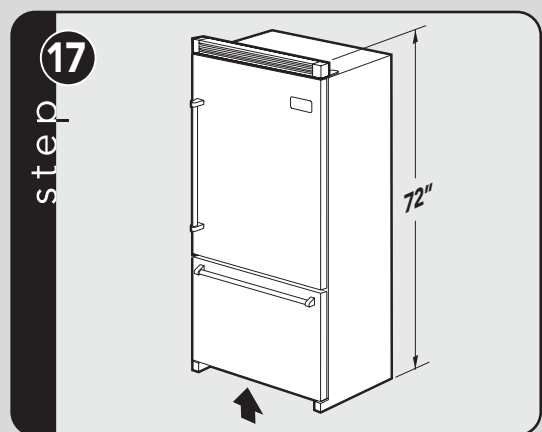
Connect wire harness to wire harness in cabinet. Connect ground screw. Secure wire harness to top of the cabinet with a piece of tape.



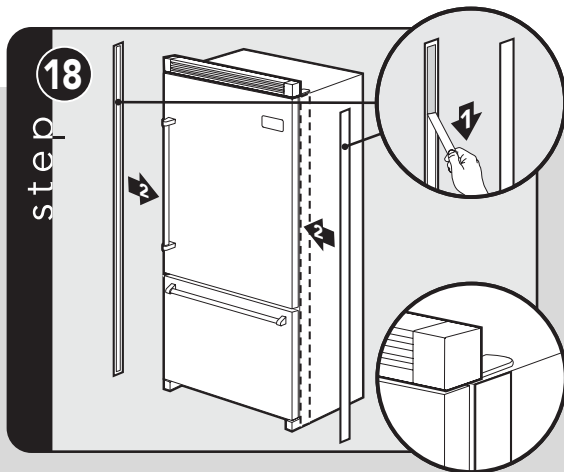
Remove adhesive backing. Firmly press the grille assembly down so the adhesive adheres to the cabinet. Align grille assembly to front door and position grille on top of unit.



Secure the grille brackets to the holes in the hinge plate.

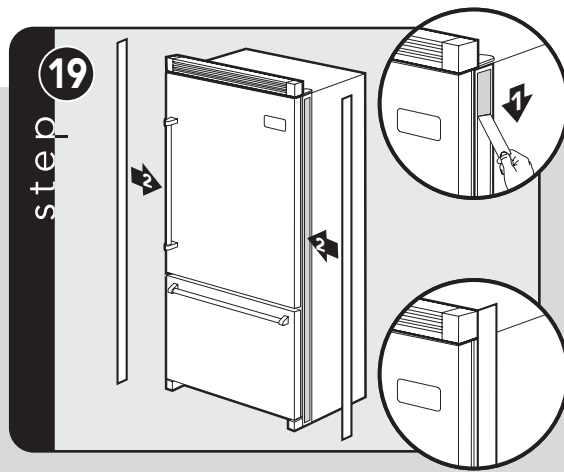


Raise the unit up until the measurement from the floor to the top of the grille assembly is 72 inches or 6 feet.



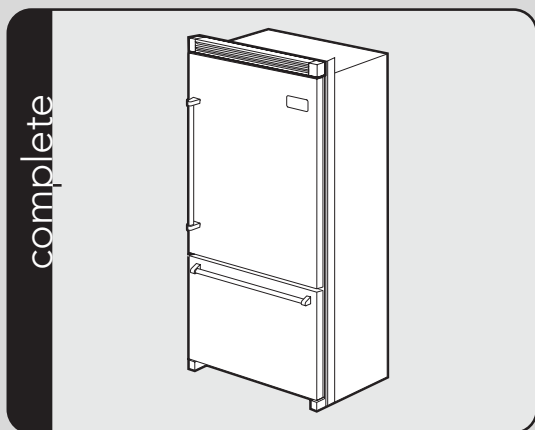
step 18

Shim trim has adhesive backing on both sides. Remove adhesive backing on refrigerator side only. Fit the shim trim to the front of the unit first. With center hinge, the shim trim will have a cutout. Use the cutout to locate the height of the shim trim. Without a center hinge, locate the top of the shim trim with the top of the refrigerator cabinet.



step 19

Remove adhesive backing for the side trim. Locate the top of the side trim with the top of the grille assembly. Press the side trim into the refrigerator cabinet at the center location.



complete







Viking Range Corporation

111 Front Street

Greenwood, Mississippi 38930 USA

(662) 455-1200

For product information,

call 1-888-VIKING1 (845-4641)

or visit the Viking Web site at

vikingrange.com