



24"W. 324 MODEL DISHWASHER

Viking Select Dishwasher – VDWU324/FDWU324

MULTI-LEVEL WASHING

- Variable pressure wash adjusts water volume, pressure, and temperature according to load size and soil levels
- Multi-level washing with stainless steel bottom spray arm, upper spray arm and top nozzle ensures clean dishes
- Turbidity sensor monitors the soil level of the dishes for superior quality
- Triple filtration system removes the smallest particles for clean water circulation
- Flow-through water heater is concealed to provide a safer alternative to exposed heaters

CONDENSATE QUICK DRY

- Moisture condensates on the cooler stainless steel tank and door and drains to the sump area
- Quick and efficient drying

QUIET CLEAN™ PERFORMANCE PACKAGE - 45dB

- Three layers of insulation – bitumen, cotton, and full side walls create one of the quietest dishwashers on the market

LOADING

- Accommodates 14 international place settings
- Industry-leading heavy gauge top and bottom dish baskets hold even the heaviest dishes
- Adjustable stemware shelves can be used for holding ladles or other small utensils
- Foldable tines provide versatility for the loading of pots, pans, and uniquely sized items in top and bottom racks
- Bottom rack has four and top rack has three split foldable tines with variable setting from flat to vertical
- Sliding cutlery basket can be moved horizontally to any position

FEATURES

- LCD screen with remaining time indicator
- Touch button direct access control
- Cycle indicator light on floor
- Energy Star Qualified



CYCLES/OPTIONS

- Cycles
 - Pots/Pans Plus – Extra-heavy soil level
 - China/Crystal
 - Regular Wash – Normal soil level
 - HourWash
 - Quick Wash – 35 Minutes!
 - Rinse/Hold – Pre-rinse dishes clean
- Options
 - Express Function – Sensor detects rinse aid and automatically sets drying cycle duration
 - Sanitize Function – Raises water temperature in final rinse to meet NSF requirements
 - High Gloss – Provides superior drying performance
 - Half Load – Energy saving function for use with partial loads
 - Delay Start – Allows delayed activation for up to 24 hours

MODELS

- VDWU324SS - 24"W. Dishwasher
- FDWU324 - 24"W. Custom Panel Dishwasher

ACCESSORIES

- PDDP524 Viking door panel - for use with FDWU models in exclusive color finishes
- PHK23 – Professional Handle Kit - for use with FDWU models

COLOR FINISHES

- Available with wrapped Stainless-Steel Door Panel installed
- Available in 14 exclusive color finishes Alluvial Blue (AB), Arctic Gray (AG), Black Forest Green (BF), Bywater Blue (BW), Cast Black (CS), Cypress Green (CY), Damascus Gray (DG), Frost White, (FW) Kalamata Red (KA), Pacific Gray (PG), Reduction Red (RE), Slate Blue (SB), San Marzano Red (SM), Vanilla Cream (VC)



WARRANTY

- Two-year full – complete product
- Ninety-day full – cosmetic parts such as glass, painted items, and decorative items
- Lifetime limited – tank and inner door
- Five-year limited – electronic controls, racks, motor/pump assemblies and water distribution system

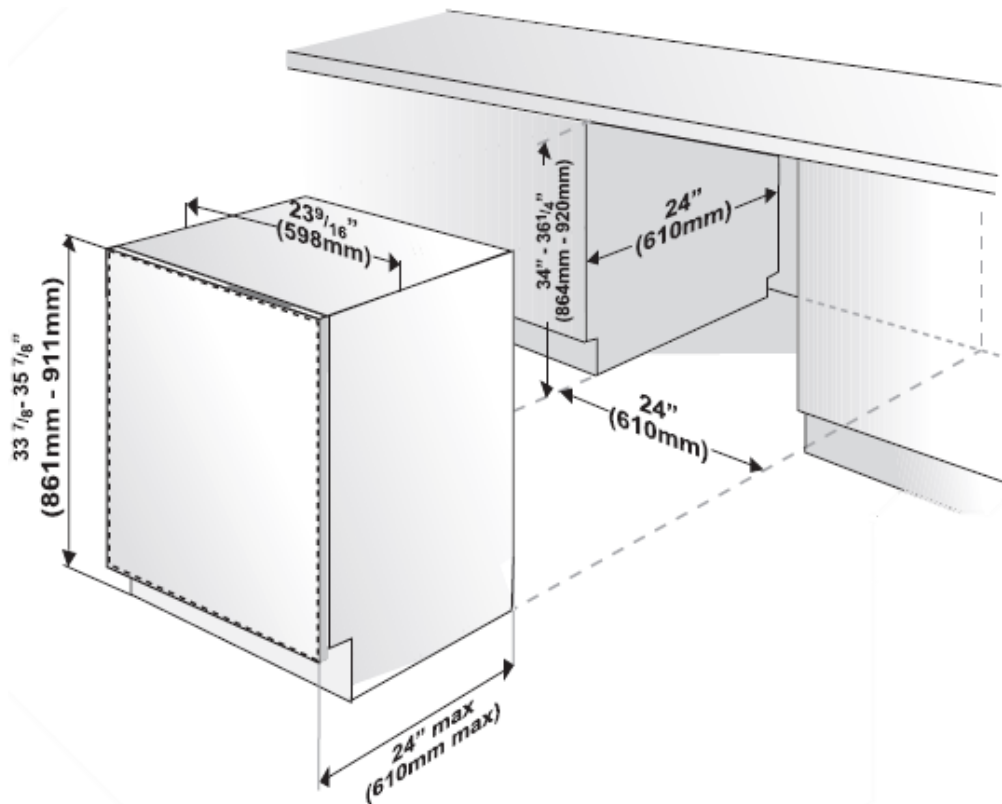


24"W. 324 MODEL DISHWASHER

Viking Select Dishwasher – VDWU324/FDWU324

24"W. DISHWASHER	
DESCRIPTION	VDWU324/FDWU324
Overall Width	23-9/16" (59.8 cm)
Overall Height from Floor	33-7/8" (86.0 cm) minimum to 35 7/8" (91.1 cm) maximum
Overall Depth	To front of door panel: 22 3/16" (56.4 cm)
Cutout Width	24" (61.0 cm)
Cutout Height	34" (86.4 cm) minimum to 36 1/4" (92.0 cm) maximum
Cutout Depth	24" (61.0 cm)
Electrical Requirements	12.0 amps, 120V/60Hz; 4" (120cm) electrical cord with supplied with unit
Water-Heating Element Rating	1100 watts
Inlet Water Temperature	120°F (49°C) required
Drain Hose	6.4' (1.9m) drain hose provided
Drain Hose High Loop Required	Height from floor – 28" (71.0 cm)
Approximate Shipping Weight	94 lb. (42 kg)

Please do not prepare installation from brochure data only. See installation instructions for important clearance/installation information.



VIKING RANGE, LLC 111 FRONT STREET GREENWOOD, MISSISSIPPI 38930 USA

For detailed product information, model numbers, or to request a quote call 1-888-845-4641 or visit vikingrange.com

© 2020 Viking Range, LLC All rights reserved. Specifications subject to change without notice.